

## Serena® Insulating Honeycomb Shades

### Sivoia® QS Triathlon® Insulating Honeycomb Shades

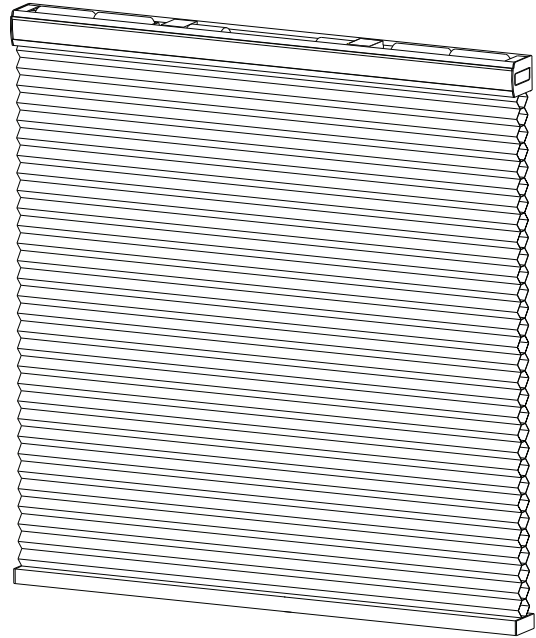
Lutron remote controlled insulating honeycomb shades move smoothly and quietly to provide privacy and light control at the touch of a button.

#### Features

- Manual, battery powered, and wired power models available
- 3-year battery life\*
- Easy installation and maintenance
- Built in wireless communication using ClearConnect™ technology
- Insulating properties up to an R Value of 4.3, depending on fabric

\* 3-year battery life based on 2 up and 2 down movements per day assuming a 3 ft. wide by 5 ft. tall shade using light-filtering fabric.

Battery life can vary between 2 to 5 years depending on shade size and fabric selection.



## Specifications

### Regulatory

- cULus listed (E135084)
- FCC (USA)
- IC (Canada)
- CFT (Mexico)
- CRC (Columbia)
- SUTEL (Costa Rica)
- ANATEL (Brazil)
- SUPERTEL (Ecuador)
- CE
- FCC (USA, Hong Kong)
- CMIIT (China)
- IDA (Singapore)
- CE (European Union)
- TRA (UAE)

### Ratings

- Operating Voltage: 6-12V===
- Operating Wattage: 5 W
- Torque: 2.5 in-lb (0.28 N•m)
- Speed: 1.8 in/sec

### Environment

- Temperature: 32° F to 104° F (0° C to 40° C)
- For indoor use only
- Relative Humidity: <90% non-condensing

### Compatible Controls

#### Serena Models

- Pico® wireless control
- Lutron® Shading Solutions 4-Group RF Remote Control

#### Sivoia QS Triathlon models

- Pico® wireless control
- Lutron® Shading Solutions 4-Group RF Remote Control (remote control model CS-YJ-4GC-WH only; for more information, see the 4-Group RF Remote Control specification submittal, PN [085314](#))
- seeTouch® RF keypads
- GRAFIK Eye® QS
- RadioRA 2®
- HomeWorks® QS

<b>Job Name:</b>	<b>Model Numbers:</b>
<b>Job Number:</b>	

## System Dimensions

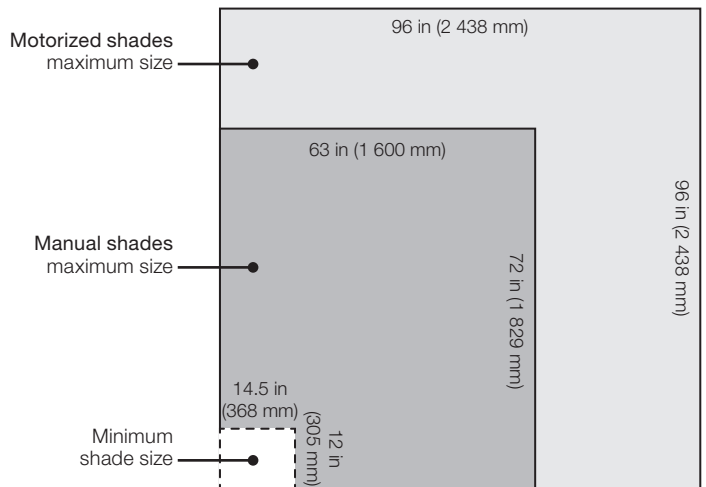
### Shade Width\*

Shade Type	Minimum	Maximum
Manual	14.5 in (368 mm)	63 in (1 600 mm)
Motorized	14.5 in (368 mm)	96 in (2 438 mm)

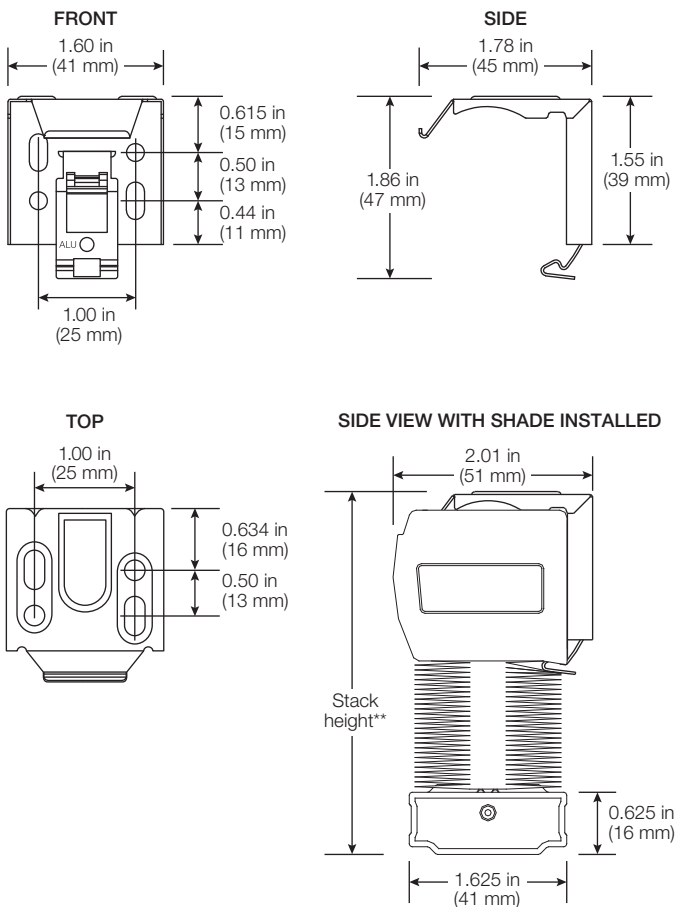
\*Fabric width = shade width minus 0.125 in (3 mm)

### Shade Height

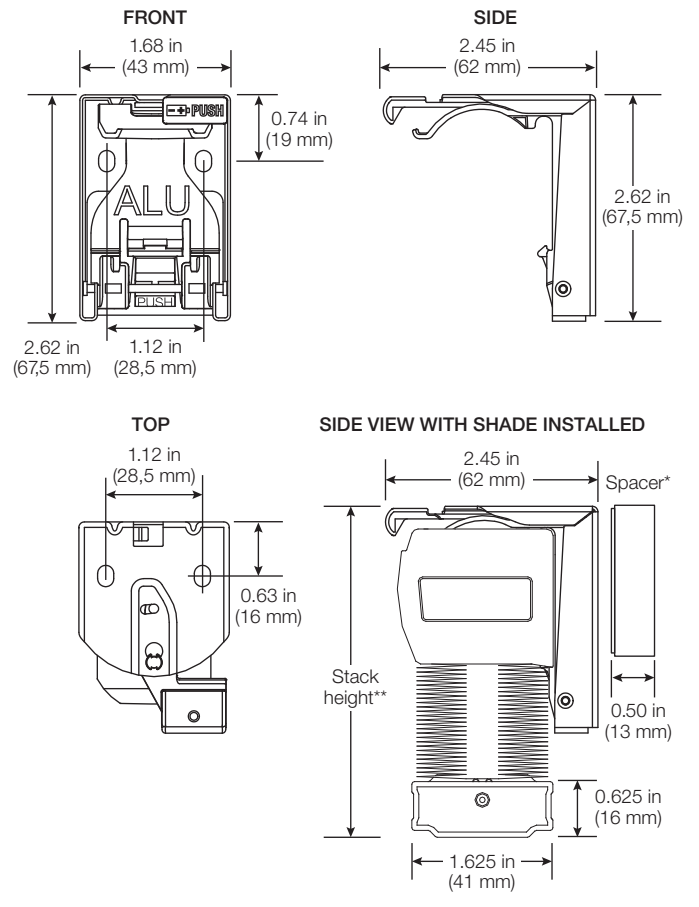
Shade Type	Minimum	Maximum
Manual	12 in (305 mm)	72 in (1 829 mm)
Motorized	12 in (305 mm)	96 in (2 438 mm)



### Brackets (manual shades):



### Tap 'n' Tilt Brackets (motorized shades):



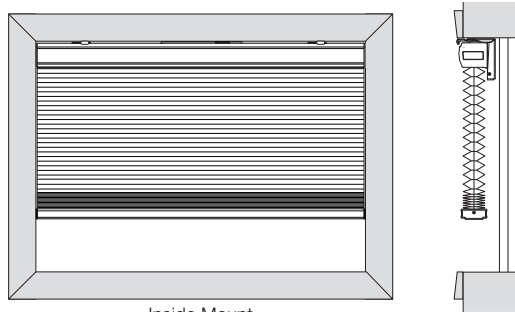
\* Spacers are included when outside-mount above/below trim is indicated on the original order, and/or the shade is equipped with an external battery holder. (See 'Mounting Options' on page 3 and 'Battery requirements by shade size and fabric' on page 4.)

\*\* Total height of the fully raised shade from the top of the bracket to the bottom of the bottom rail. For details, see [Serena Stack Guidelines.pdf](#)

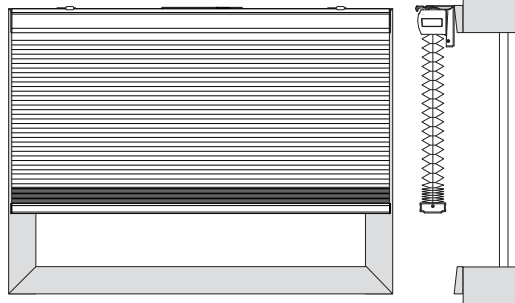
<b>Job Name:</b>	<b>Model Numbers:</b>
<b>Job Number:</b>	

### Mounting Options

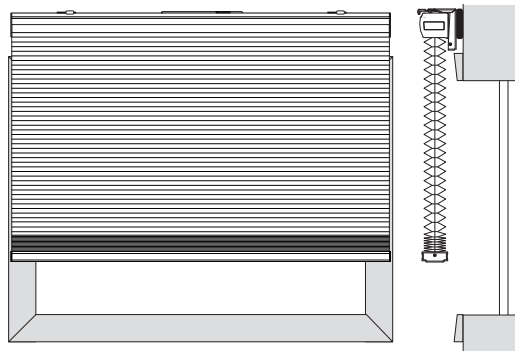
Depending on the window dimensions, the shade can be mounted inside the window frame or outside the window frame.



Inside Mount



Outside Mount on Trim



Outside Mount Above Trim

Mounting bracket spacers are included when Outside Mount Above Trim is indicated on the original order.

### Bracket count by shade size and fabric

Shade Width/Fabric Option		Brackets Required
Cypress • Monaco • Sedona	Rio • Napa • Prague	
14 1/2 in - 45 in (368 mm - 1 143 mm)	14 1/2 in - 48 in (368 mm - 1 219 mm)	2
45 1/8 in - 69 in (1 146 mm - 1 753 mm)	48 1/8 in - 72 in (1 222 mm - 1 829 mm)	3
69 1/8 in - 96 in (1 756 mm - 2 438 mm)	72 1/8 in - 96 in (1 832 mm - 2 438 mm)	4

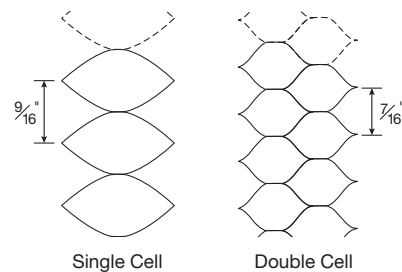
### Fabric Options

Lutron Insulating Honeycomb Shades are available in a wide variety of types:

Fabric Type	Collection(s)	R Value
<b>Light-Filtering Single-Cell</b>		
Point Bonded*	Cypress	3.5
Spun Lace	Monaco, Rio	3.5
Sheer	Sedona	0.7
Crush	Napa	3.4
Woven	Prague	0.9
<b>Light-Filtering Double-Cell</b>		
Spun Lace	Monaco, Rio	3.6
<b>Room-Darkening</b>		
Point Bonded*	Cypress	4.3
Spun Lace	Monaco, Rio	4.3

\* Available with fire rated option

### Honeycomb Options (profile view)



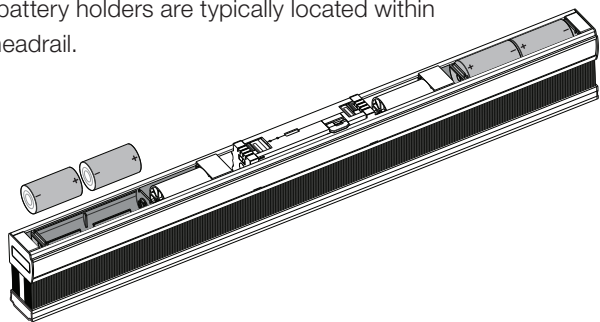
Cell height shown is for general reference only. Cell-to-cell distance will vary along the height of an actual shade.

<b>Job Name:</b>	<b>Model Numbers:</b>
<b>Job Number:</b>	

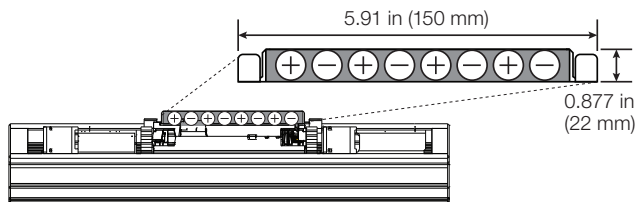
## Power Options

### Battery power

- Batteries are not included.
- Type and quantity vary with shade size and fabric choice (see table below).
- The battery holders are typically located within the headrail.



- Shades that are not wide enough to include battery holders within the headrail have a battery holder located on the back of the headrail. Mounting bracket spacers are included to provide additional rear clearance.



For detailed information about battery requirements please see the following table:

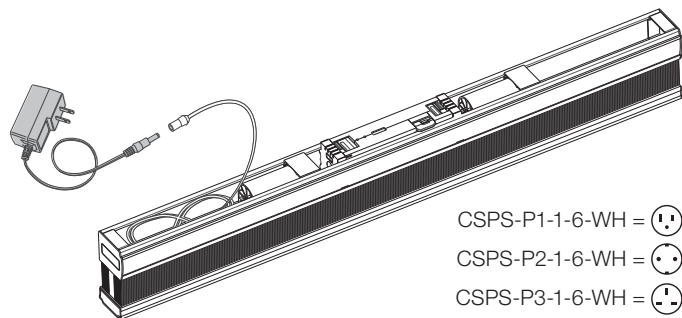
### Battery requirements by shade size and fabric

Shade Width*/Fabric Option		Batteries Required
Cypress • Monaco • Sedona	Rio • Napa • Prague	
14 1/2 in - 21 1/2 in (368 mm - 546 mm)	14 1/2 in - 21 7/8 in (368 mm - 556 mm)	(8) AA-Cell Lithium (ext. pack)
21 5/8 in - 24 3/4 in (549 mm - 629 mm)	22 in - 26 1/8 in (559 mm - 664 mm)	(8) AA-Cell Lithium
24 7/8 in - 29 5/8 in (632 mm - 752 mm)	26 1/4 in - 31 1/8 in (667 mm - 791 mm)	(4) D-Cell Alkaline
29 3/4 in - 82 in (756 mm - 2083 mm)	31 1/4 in - 82 in (794 mm - 2083 mm)	(6) D-Cell Alkaline
82 1/8 in - 96 in (2086 mm - 2438 mm)	82 1/8 in - 96 in (2086 mm - 2438 mm)	(8) D-Cell Alkaline

\* Ranges shown are for outside-mounted shades. To determine battery requirements for inside-mounted shades, add 1/4 in (6 mm) to widths.

### Plug-in power supply

- CSPS-XX-1-6-WH available separately.
- Includes 15 ft (4572 mm) power wire
- Wiring compartment can be located on either side.



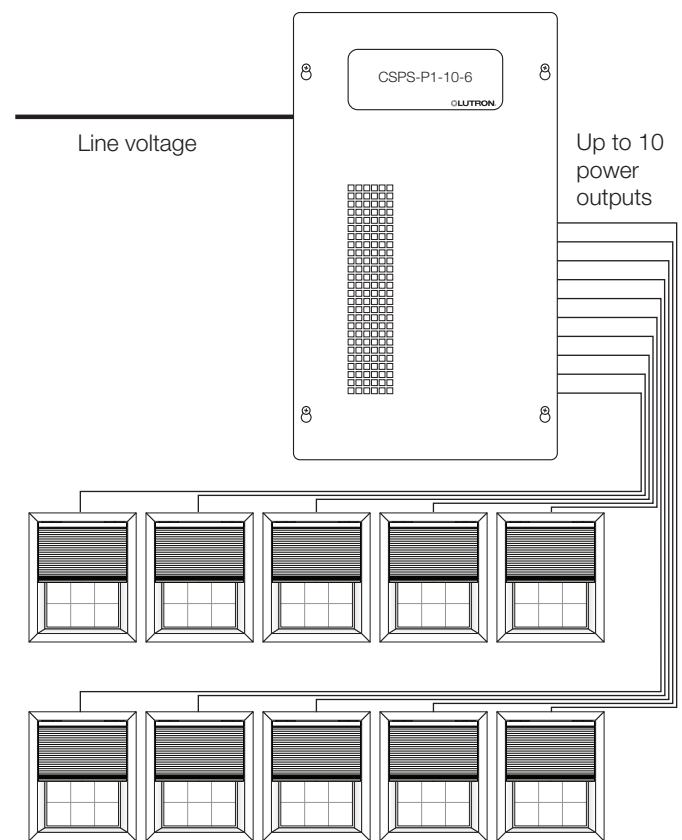
CSPS-P1-1-6-WH = ☹

CSPS-P2-1-6-WH = ☹☹

CSPS-P3-1-6-WH = ☹☹☹

### Power panel\*

CSPS-P1-10-6 available separately.



\* Secondary wiring must be of type CL2, CL2P, CL2R, CL2X or other cable with equivalent or better electrical, mechanical, and flammability ratings in accordance with local and national electric code.

<b>Job Name:</b>	<b>Model Numbers:</b>
<b>Job Number:</b>	