

Specifications

Regulatory Approvals

- Approved to UL® and CSA standards

Power / Performance

- Universal input voltage 120/277 V~
- Total Harmonic Distortion (THD) <20%
- Power factor >0.9
- Class A sound rating
- Dimming range: 100% to 5% of total light output

Environment

- 50 °F to 104 °F (10 °C to 40 °C)
- Relative humidity less than 90% non-condensing
- For indoor use only

Controls

The following controls are available for use with Lutron® dimmable fixtures:

- GRAFIK Eye® QS
- Quantum®
- Maestro Wireless®
- Nova®
- Skylark®
- Vareo®
- GRAFIK Eye®
- Energi Savr Node™
- Nova T★®
- Diva®
- Ariadni®
- PowPak™

Lamps

- Requires one or two 50 W twin-tube 3500 °K fluorescent lamps (biax CFL; not included with the fixture) depending on fixture type:
 - GE number F50BX/SPX35/RS
 - Philips number PL-L50W835/RS
- Consult lamp manufacturer for lamp seasoning requirements prior to dimming

Key Design Features

- Design provides even, three-directional illumination for video conferencing applications
- Fixture minimizes glare for individuals being illuminated
- Designed to lay into standard NEMA Type G grid (suspended T-bar) ceilings
- Gypsum ceiling and surface mount options available
- Metal housing is finished with a post painted white TGIC polyester powder coat
- Fixture is made of 22 gauge cold-rolled steel
- 99.9% high purity diffuse aluminum reflector
- Reflector removes without tools
- Quick access plate permits convenient power connections
- Smooth, continuous flicker free dimming

Job Name:	Model Numbers:
Job Number:	

Ordering Guide

Select appropriate code in each column to complete model number.

Example: FXVTIW22DB250UHDTBXXWH

Product	Family	Fixture Type	Size	Lens	Lamp	Lamp Type	Region	Control	Mounting Type	Option	Color/ Finish
FX= Fixtures	VT= Video Conference	IW= Indirect Wash	12= 1 x 2 ft	XX= None	1= 1 Lamp (1 x 2 ft Only)	50= 50 W T5 Twin-tube	U= UL–North America	HD= Hi-Lume® 3D 5% Dimming Ballast	TB= T-bar	XX= None	WH= Matte White
			22= 2 x 2 ft	DB= 45° Diagonal (1 x 2 ft T-bar Mount Only)	2= 2 Lamp (2 x 2 ft Only)				GY= Gypsum	E3= Emergency Ballast	
									SM= Surface Mount		

Not for use in Quebec.

Job Name:	Model Numbers:
Job Number:	

Photometric Data

2x2 ft 2 Lamp T5 50 W Twin-Tube Indirect Wash Fixture (FXVTIW22_250UHD_-_WH)

Tested with: 2 Philips T5 50 W Twin-Tube Lamps with 4100 CCT rated at 4300 lm each

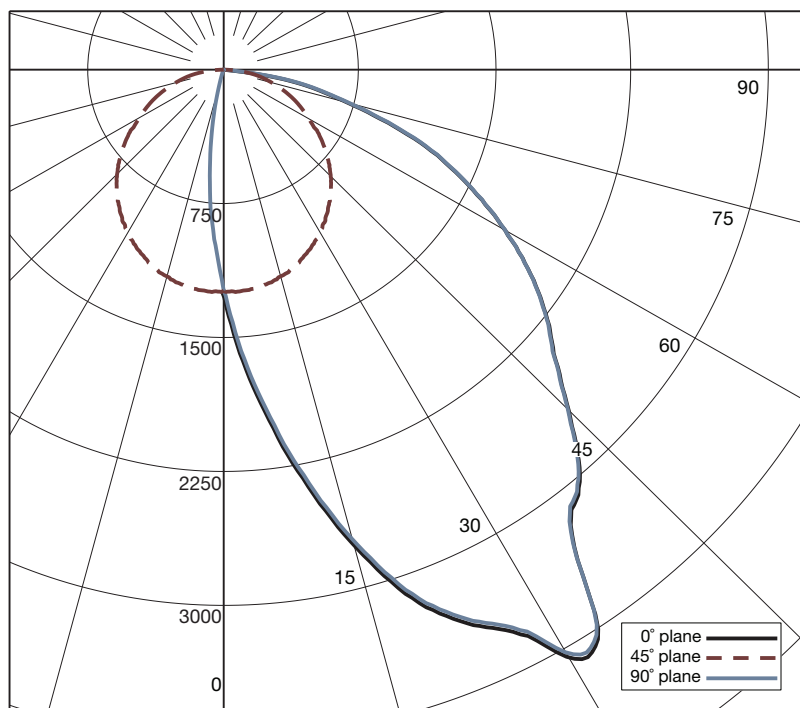
Photometric Summary	
LIGHT OUTPUT (lm)	5047
INPUT POWER (W)	89.45
EFFICACY (lm/W)	56.42
LUMINAIRE EFFICIENCY	58.7

Zonal Lumen Summary		
Zone	lm	% Luminaire
0-30	1154	22.9
0-60	3885	77.0
0-90	5047	100.0
90-180	0	0.0
0-180	5047	100.00

Candela Table					
Angle	0°	45°	90°	135°	180°
0	1237	1237	1237	1237	1237
5	1724	1595	1241	918	788
45	2682	2829	833	13	3
90	0.0	1	4	3	0
135	0.0	0.0	0.0	0.0	0.0
180	0.0	0.0	0.0	0.0	0.0

Candela Plot

(measured with fixture mounted on the ceiling)



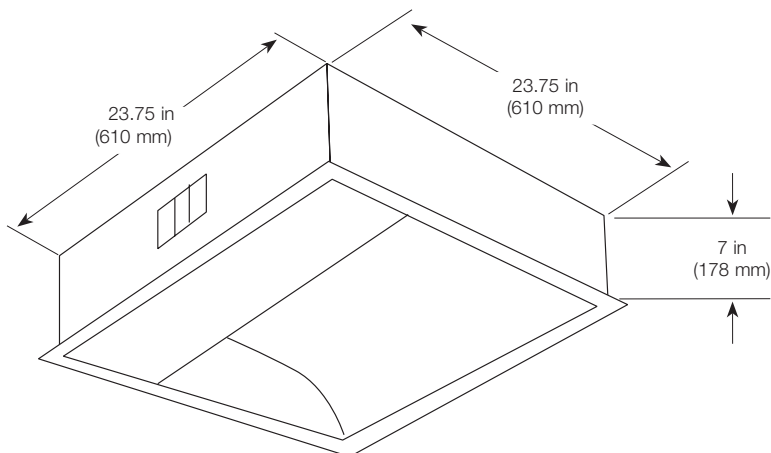
NOTES:

- IES data available upon request. Please email fixtures@lutron.com or contact Lutron® Technical Support at 1.800.523.9466.
- Photometric test results from LM-79 reports.

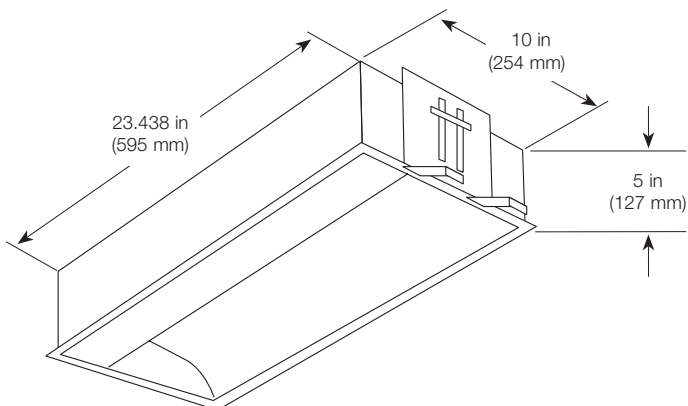
Job Name:	Model Numbers:
Job Number:	

Dimensions

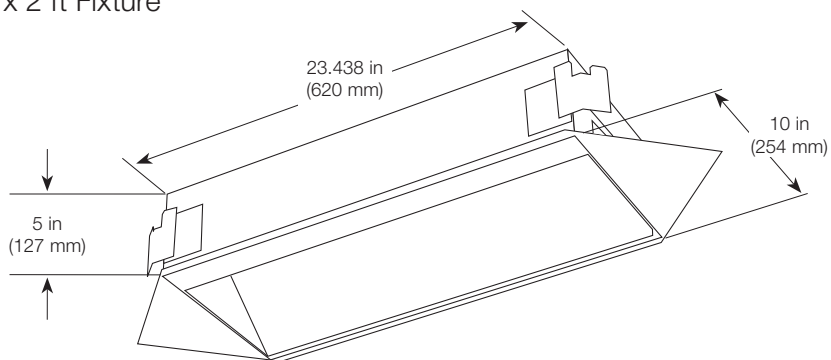
2 x 2 ft Fixture



1 x 2 ft Fixture



45° 1 x 2 ft Fixture



Job Name:	Model Numbers:
Job Number:	