



Introduction

DA2208 shall be used to amplify incoming audio signal of line level and thereafter linked to several amplifiers to avoid sound distortion. It consists of 2 sets of 1 in 4 out configuration and can be set as 1 in 8 out format. Each output channel has its individual bass and treble controls, facilitating tone setup of the amplifier to suit the type of speakers used as well as the acoustic environment.

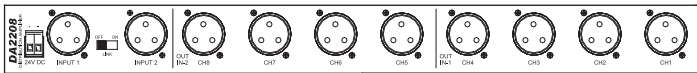


Dual Mode



Tone Controls

Rear View:



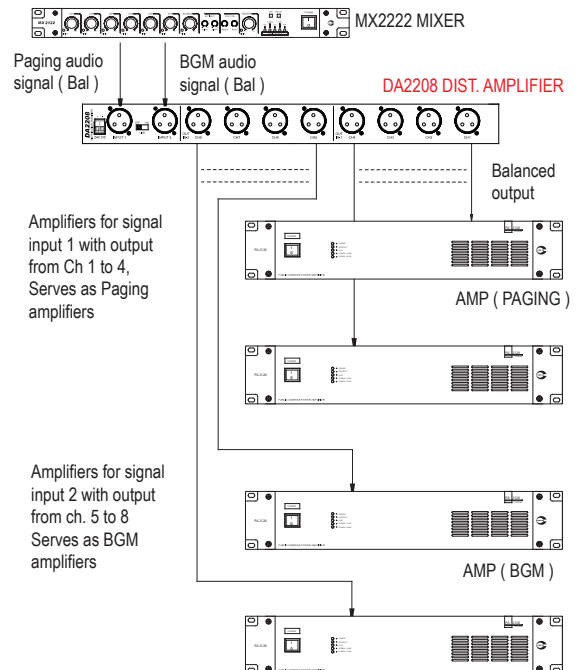
Features

- ✓ Operates as dual channel 1 input 4 output or single channel 1 input 8 output
- ✓ Individual bass and treble control with volume adjustment
- ✓ Direct input signal to output whenever DC power input not available or whenever power failure occurs

Technical Specifications

Operating voltage	24V DC
Power consumption	2.4W
Configuration	1 in x 8 out or 2 in x 4 out
Input level	Line : 1V rms max
Input impedance	10 K Ohm
Output gain	+ 4 dBu
Output impedance	10 K Ohm
Controls	Bass, Treble, Channel volume
Frequency response	150 ~ 19 KHz (+/- 3 dB at 1 KHz)
Dimensions (WxHxD)	482 x 44 x 180 mm
Weight	1.55 kg

Application Schematic



The above illustration is for Uninterrupted Paging setup. In normal setup with single input, use the link switch to form 1 input 8 outputs configuration. Each output from DA2208 can be linked up to 6 power amplifiers.

Packing information
 Qty per carton : 1 unit
 W x H x D : 560 x 95 x 295 mm
 Weight : 2.15 kg