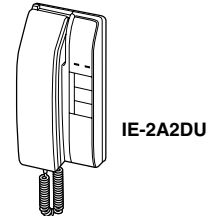


IE Series
CHIME TONE INTERCOM w/2 door releases

Models: **IE-2A2DU,** *Master station*
IEH-1C2D, *Sub room station*

INSTALLATION & OPERATION MANUAL



This Manual and the Markings on the product contain various symbols in order that the product can be used safely and properly, and that the installer and user are protected from injury and property damage. The following precautions must be thoroughly read and understood before proceeding.

PRECAUTIONS ON INSTALLATION & WIRING

- WARNING**
Negligence could result in death or serious injury to people.
- CAUTION**
Negligence could result in injury to people or damage to property.

Examples of Symbols;

GENERAL PRECAUTIONS
The mark indicates caution statement (incl. danger and warning), which is specifically shown inside.

GENERAL INSTRUCTIONS
The mark indicates contents which demands a specific action shown inside or attached.

GENERAL PROHIBITIONS **DISMANTLING PROHIBITIONS** **WATERING PROHIBITIONS**

The mark indicates contents which prohibit a specific action shown inside or attached.

Warning

1. Do not connect any power source other than specified to terminals +, - on IE-2A2DU. Fire or damage to the unit could result.
2. Do not open IE-2A2DU. High voltage is present inside, and it can cause electric shock.
3. Do not change or alter IE-2A2DU. It can cause fire or electric shock.
4. Make sure wires are connected properly before plugging in power supply.
5. Keep the IE-2A2DU unit away from water or any other liquid. Fire or electric shock could result.
6. Keep AC outlet away from moisture or dust.

7. Keep AC cord away from being marred or crushed.
8. Do not plug or unplug with wet hands.
9. Do not put any metal into IE-2A2DU through openings. It can cause fire, electric shock or unit damage.

Caution

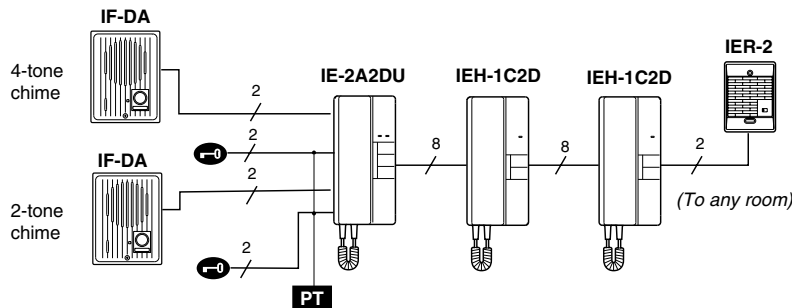
1. Do not install or make any wire terminations while power supply is plugged in. It can cause electrical shock or damage to the unit.
2. Do not manually hold down hook switch to verify chime volume. It sounds very loud near your ears, and can cause hearing damage.
3. Mount IE-2A2DU on wall in a convenient location, but not where it could be bumped or jarred.
4. In case of electrical storms, unplug power supply from AC outlet. It can cause fire, electric shock, or power surge damage.
5. Do not install IE-2A2DU components in any of the following locations, as it may cause the system to malfunction;
 - High or extreme cold temperature area: under direct sunlight, near equipment that varies in temperature, in front of air conditioner, inside a refrigerated area, etc.
 - Places subject to moisture or humidity extremes.
 - Places subject to environmental conditions, such as oil, dust, chemicals, salt, etc.
 - Places subject to constant vibration or impact.
 - Places where noise generating devices such as TV or radio are close by.

General Precautions

1. IE-2A2DU equipment, except for IF-DA, etc. is designed for indoor use only. Do not install outdoors.
2. IE-2A2DU system is not operational during a power failure.
3. In areas where broadcasting station antennas are close by, intercom system may be affected by radio frequency interference.
4. Keep all DC wiring at least 30cm, 20" away from AC 100~240V wiring, fluorescent lighting, or dimmer switches. Otherwise, cross AC wiring at a 90° angle.

1 SYSTEM OUTLINE & COMPONENTS

IE-2A2DU is a master station of 3-room Chime Tone Intercom, which accommodates up to 2 door stations each with access control.



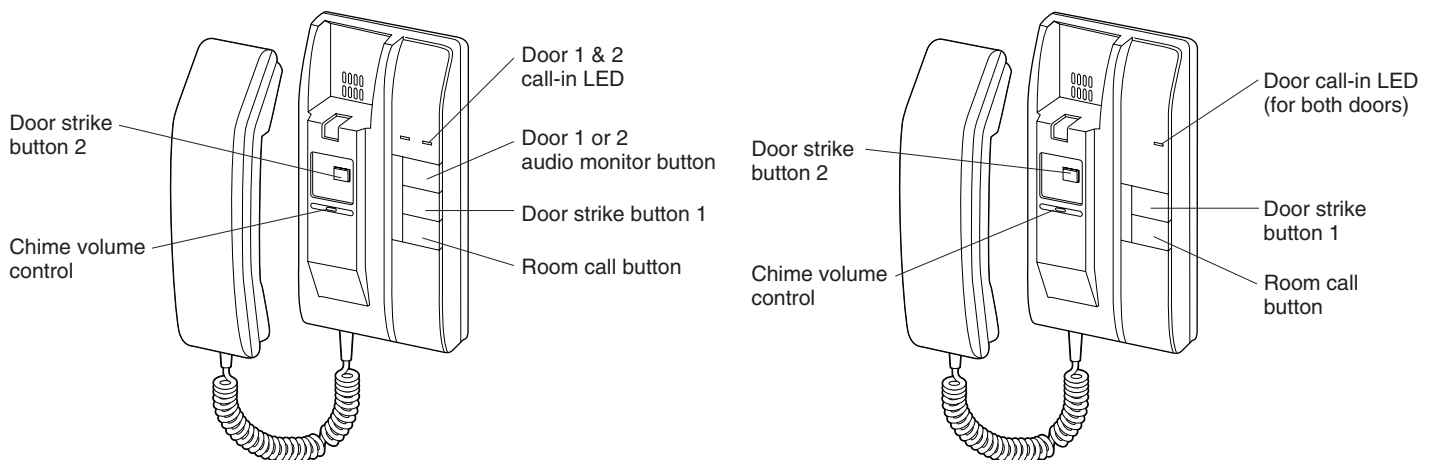
PACKAGE CONTENTS

- Master station IE-2A2DU
- Packet of screws
- Installation & Operation Manual

STATION MODELS USED

<ul style="list-style-type: none"> • Door stations <p>IF-DA IE-JA</p> <ul style="list-style-type: none"> • IE/IF series: IE-DC, IE-FY, etc. (IE-FY: N/A in USA) 	<ul style="list-style-type: none"> • Chime Tone Intercom <p>IE-2A2DU Master station</p> <p>IEH-1C2D Sub station (2 pcs)</p>	<ul style="list-style-type: none"> • Call extension <p>IER-2 Chime tone only</p>	<ul style="list-style-type: none"> • Door strike <p>Locally available</p>
---	--	--	--

2 NAMES AND FEATURES



FEATURES

- Two audio doors & 3 room stations
- Two door release buttons
- Room station calling by pre-tone & voice
- Chime tone volume control. Can be muted at sub room station(s)
- Monitoring audio of each door station
- Call extension speaker IER-2. Extend 2 wires from any station
- Single transformer powers intercom and door releases

3 WIRING

• **System configuration**

1. Chime tone door answering system with featured 2 door release controls.
2. Single AC transformer can power both communication & strikes.
3. Optional features;

(1) Door release

L, L terminals are for door strike at door 1, and two WHITE leads are for door strike at door 2. Use locally available door strike which does not exceed AC 12~16V, 500mA.

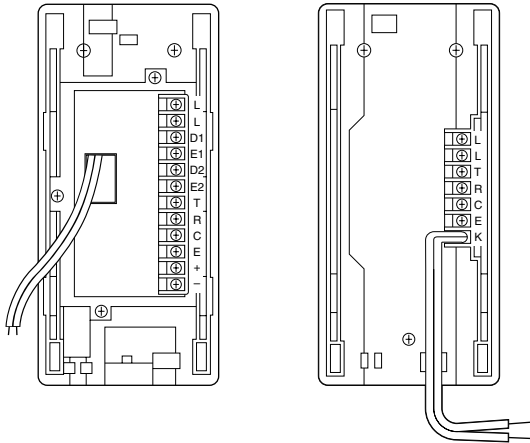
(2) Call extension IER-2

One per system. Announces chime tone only with adjustable volume. Connect IER-2 to any room station with two conductor wires.

• **Actual terminal locations**

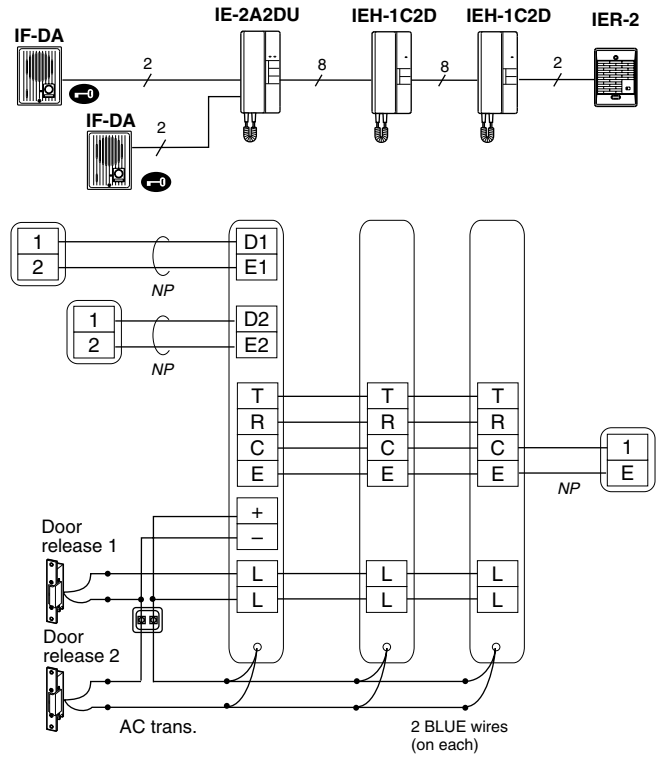
• **IE-2A2DU**

• **IEH-1C2D**



- L, L:** Door release 1 dry closure contact
- D1, E1:** Door 1 calling & communication
- D2, E2:** Door 2 calling & communication
- T, R, C, E:** Room station calling & communication
- +, - :** Power supply
- 2 BLUE leads:** Door release 2 dry closure contact

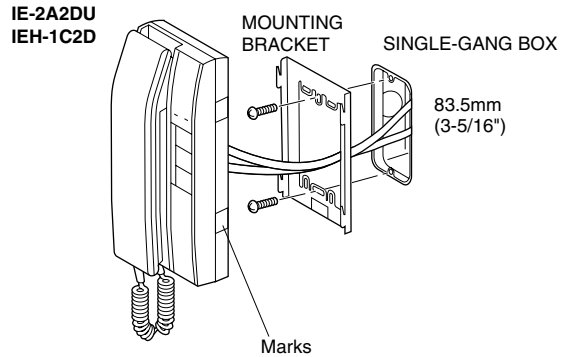
■ **WIRING DIAGRAM**



Run door release wires in a separate jacketed cable from the audio wires.

4 MOUNTING

1. Attach the mounting bracket to single-gang box or wall.
2. Aligning at the marks, insert the prongs of the bracket into the back of intercom, and pull down the unit until it is firmly locked.



5 OPERATIONS

1. Receiving a door call

When CALL button is pushed on door station, either 4 or 2-tone chime sounds at all inside stations. Pick up any handset to reply.

2. Room communication

When handset is picked up, the channel is established with the door last communicated with. Press CALL button to ring the other station(s) with mono tone. Converse on both handsets.

3. Transferring a door call

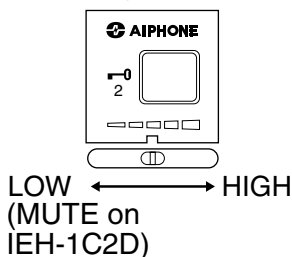
To transfer, press CALL button to ring other stations. Announce a call to the transferred. Second person can pick up handset to answer transferred call. Hang up at both stations to terminate room call. Second person can pick up handset to answer transferred call.

4. Answering door while communicating

A muted chime tone is heard through handset. Terminate present call. Repick up either handset to connect with calling door.

5. Muting door chime

Slide right to increase volume. On a sub room station(s), move the volume control to the left, which mutes chime tone. (Talk channel remains useable.)



6. Activating door strike

While listening to door, depress Key-marked button 1 or 2 to activate door strike. The opening takes place while the button is held down.

6 TECHNICAL PRECAUTIONS

• Operating Temperature:

The IE-2A2DU is rated to operate at the temperatures between $-10^{\circ}\text{C} \sim 60^{\circ}\text{C}$ ($14^{\circ}\text{F} \sim 140^{\circ}\text{F}$).

• Cleaning:

Clean the IE-2A2DU with a soft cloth dampened with neutral household cleanser. Never use any abrasive cleaner or cloth.

7 SPECIFICATIONS

• Power source	AC 12~16V, 200mA, or DC 12~24V, 200mA.			
• Power supply	AC transformer AC 12~16V, 700mA~for door strike.			
• Calling	4 or 2-tone chime, timed for approx. 45 seconds.			
• Communication	Simultaneous by handsets.			
• Door release	2 dry closure contacts, rated AC or DC 24V, 0.5A.			
• Wiring	2 to IE/IF door. 8 between rooms, looped.			
• Wiring distance	0.65mm \varnothing	1.0mm \varnothing	22AWG	18AWG
• Door to Master	150m	360m	500'	1,180'
• Between rooms	75m	190m	245'	620'
• Master to AC trans.	10m	-	33'	-
• Dimensions	210H x 100W x 68D (mm) 4"H x 8-1/4"W x 2-3/4"D.			
• Weight	700g (1.54 lbs.) approx.			

WARRANTY

Aiphone warrants its products to be free from defects of material and workmanship under normal use and service for a period of one year after delivery to the ultimate user and will repair free of charge or replace at no charge, should it become defective upon which examination shall disclose to be defective and under warranty. Aiphone reserves unto itself the sole right to make the final decision whether there is a defect in materials and/or workmanship; and whether or not the product is within the warranty.

This warranty shall not apply to any Aiphone product which has been subject to misuse, neglect, accident, or to use in violation of instructions furnished, nor extended to units which have been repaired or altered outside of the factory. This warranty does not cover batteries or damage caused by batteries used in connection with the product.

This warranty covers bench repairs only, and any repairs must be made at the shop or place designated in writing by Aiphone.

Aiphone will not be responsible for any costs incurred involving on site service calls. Aiphone will not provide compensation for any loss or damage incurred by the breakdown or malfunction of its products during use, or for any consequent inconvenience and losses that may result.

AIPHONE CO., LTD., NAGOYA, JAPAN
AIPHONE CORPORATION, BELLEVUE, WA, USA
AIPHONE S.A.S., LISSES-EVRY, FRANCE

AIPHONE[®]
Providing Peace of Mind

<http://www.aiphone.com/>

Printed in Japan (E)