

SIVOIA QED® | ROLLER BLIND OVERVIEW

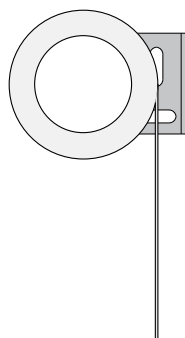
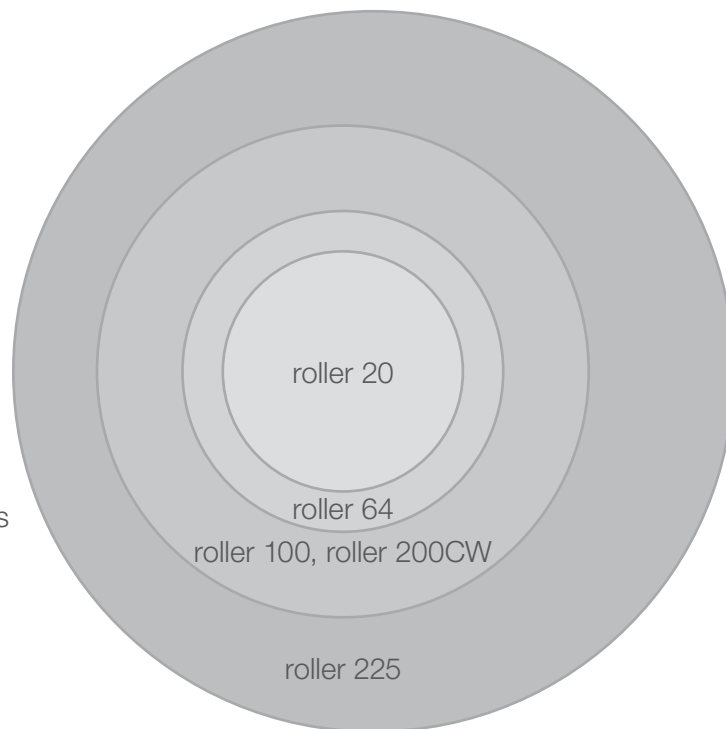
ROLLER 225™

**ROLLER 100™ AND
ROLLER 200CW**

ROLLER 64™

ROLLER 20™

Actual size
tube diameters

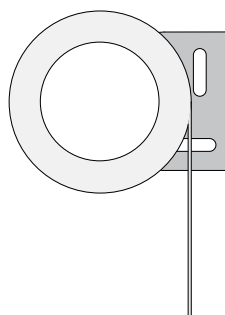


ROLLER 20

A slim profile and narrow width ideal for shallow residential window frames

Tube size: 32 mm diameter
Pocket size: 89 mm w x 89 mm h
Typical maximum size: 1.86 sq. m (20 sq. ft.)

Minimum bracket-to-bracket width: 470 mm
Maximum bracket-to-bracket width*: 1981 mm



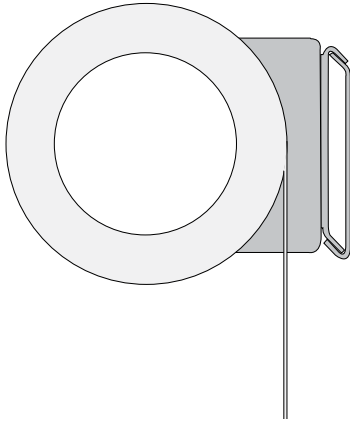
ROLLER 64

Ideal for small- to medium-sized windows

Tube size: 41 mm diameter
Pocket size: 89 mm w x 89 mm h
Typical maximum size: 5.95 sq. m (64 sq. ft.)

Minimum bracket-to-bracket width: 470 mm
Maximum bracket-to-bracket width*: 2438 mm

* Larger blinds may be available based on fabric selection. Contact customer service or use the SCT for actual blind dimensions based on fabric type.



ROLLER 100™

Designed for windows approximately 3048 mm wide

Tube size: 65 mm diameter

Pocket size: 121 mm w x 127 mm h

Typical maximum size: 9.29 sq. m (100 sq. ft.)

Minimum bracket-to-bracket width: 610 mm

Maximum bracket-to-bracket width*: 3048 mm

ROLLER 200CW

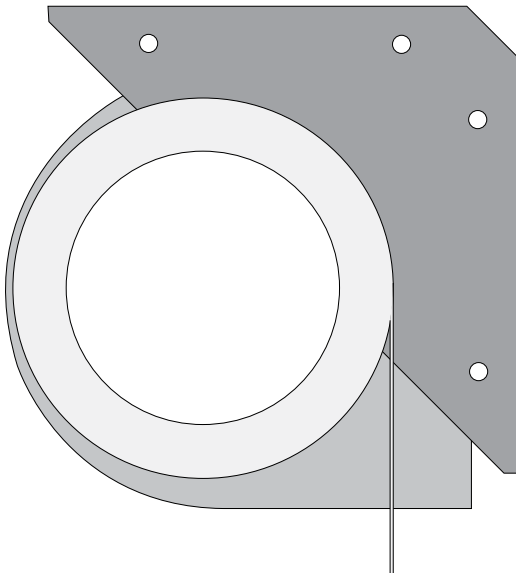
Features gradual movement for large blinds and coupling capability for up to 6 fabric panels

Tube size: 65 mm diameter

Pocket size: 121 mm w x 127 mm h

Typical maximum system size*: 18.6 sq. m (200 sq. ft.)
(up to 6 blinds, 18.6 sq. m total)

Minimum bracket-to-bracket width: 635 mm



ROLLER 225™

Provides a heavy-duty bracket and higher torque for much larger applications, such as atriums or multi-storey windows

Tube size: 95 mm diameter

Pocket size: 178 mm w x 178 mm h

Typical maximum size*: 20.9 sq. m (225 sq. ft.)

Minimum bracket-to-bracket width: 806 mm

Maximum bracket-to-bracket width*: 4572 mm

* Larger blinds may be available based on fabric selection. Contact customer service or use the SCT for actual blind dimensions based on fabric type.

FABRIC SPECIFICATION | FABRIC CATEGORIES



SheerShade

Dim-out

Blackout

Select the right fabric. Lutron® fabrics are grouped into three categories: SheerShade®, dim-out, and blackout. These provide varying degrees of light control and functionality.

SHEERSHADE

These fabrics feature open weaves, so sunlight is filtered while preserving the view. SheerShade fabrics are measured by “openness factor,” which describes the ratio of open space to fabric yarn in a weave.

SheerShade Designer™ fabrics provide more decorative weave options, such as jacquards that resemble natural woven fabrics.

DIM-OUT

These fabrics permit some light, but are not open weaves, so the view is limited to shapes and shadows.

BLACKOUT

These fabrics prevent all light from passing through the material. Blackout fabrics are often combined with special side channels, top treatments, and other system components to ensure a complete light seal.

FABRIC SPECIFICATION | DEFINE APPLICATION



Maximise view



Reduce glare and heat gain



Blackout



Maximise view



Reduce glare and heat gain



Blackout

Choose the right type of fabric for each application. Consider the following needs in a space.

MAXIMISE VIEW

Lutron® SheerShades® reduce glare and direct solar exposure without compromising the exterior view. They are available in a range of openness factors to complement different intensities of direct light.

REDUCE GLARE AND HEAT GAIN

Many Lutron fabrics are designed to reflect as much solar radiation out and away from the window as possible to minimise the

build-up of heat inside the building. In addition, the correct fabric can reduce glare, thereby improving contrast on monitors and screens.

BLACKOUT

When desired, 100% opaque fabrics are available for applications such as home theaters, bedrooms, or conference rooms. Sivoia QED® systems can also work with side channels to ensure complete blackout.



STYLE MEETS TECHNOLOGY

Lutron proudly introduces a new line of designer fabrics that combine style with precision control of daylight. The Gallery Collection offers a variety of colour, texture, and pattern to accent any décor.

The collection is comprised of three families — sculpted sheer fabrics, texture, and dim-out fabrics. Enjoy the convenience and precision of Lutron blinds with the beauty of The Gallery Collection. Relax knowing that the fabrics are sustainable in order to protect your health and the environment.

Reflect your lifestyle, control daylight, and enjoy style and comfort.



Sculpted sheer fabrics



Texture fabrics



Dim-out fabrics

SIVOIA QED® | SKYLIGHT SHADE



The new skylight shade from Lutron® combines innovative Sivoia QED technology with a new patent-pending tension system. Fabric is kept taut and parallel to the skylight window, regardless of slope. Reliably control daylight through skylights to enhance the visual environment and save energy by reducing solar heat gain.

AESTHETICS

- Light-blocking fascia eliminates light gaps around fabric when closed
- Concealed cable guides maximise view through skylight when open
- Wide variety of high performance fabrics to enhance décor

DESIGN

- Unique tension-absorbing frame eliminates stress on the surrounding ceiling structure
- Reliable performance under extreme temperatures is ensured by weld- and seam-free design

CONTROL

- Smooth, quiet, precise movement of skylight shades creates elegant transitions
- One-touch control of hard-to-reach skylight shades through keypad or IR remote
- Seamless integration with other Lutron Sivoia QED products and lighting controls

INSTALLATION

- Inside, recessed, and outside mounting options allow system to fit any application
- Pre-assembled shipping available to maximise installation convenience

For more information on the Sivoia QED skylight shade, please refer to P/N 367-1530/EA.

SIVOIA QED® | CURTAIN TRACK SYSTEM



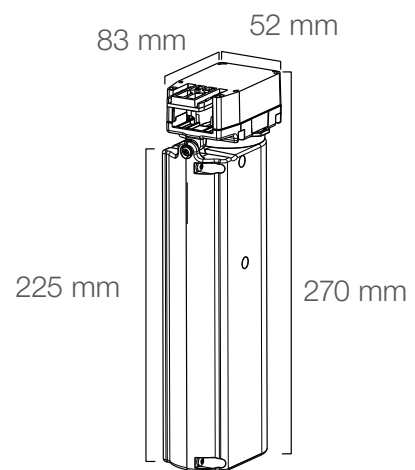
The Sivoia QED curtain track system has a slim profile, ultra-quiet performance, and capacity to operate heavy curtains (up to 47.6 kg [105 lb] with the D105 and 65.7 kg [145 lb] with the D145). The low-profile drive is hidden behind the curtains and is not visible in the installation.

FEATURES

- One-touch control of individual or groups of curtains for fully-open, fully-closed, or preset positions
- Patented technology provides ultra-quiet operation
- Integrates seamlessly with Sivoia QED roller blinds

OPTIONS

- New manual open carrier
- Track splicing
- Curved tracks (up to 90° bends)
- Left-draw, right-draw, centre-draw, dual, and tandem systems available
- Pinch pleat or ripplefold styles
- White, bronze, and anodized aluminum tracks with colour-matched endcaps



Curtain track drive dimensions



Sivoia QED curtain drive



handheld remote control



track splice

NEW PRODUCTS AND FEATURES

The Lutron® curtain track system family has been greatly expanded to provide you with a complete offering for all of your curtain needs. New curtain track drives and system features allow for longer tracks, single or multiple bend curved tracks, and even manual open capability.

NEW PRODUCTS

SIVOIA QED® D145 CURTAIN TRACK DRIVE

- Carry heavier curtains (65.7 kg [145 lb] capacity)
- Control curtains on curved tracks with one or two bends

HANDHELD REMOTE CONTROLS

- Conveniently control curtains from anywhere in the room with new infrared transmitters

NEW FEATURES

TRACK SPLICING OPTION

- Allows for Lutron curtain tracks up to 9144 mm in length using the new track splicing feature (18288 mm in spliced, tandem applications)
- Receive curtain tracks in smaller packages for easy transportation to and within the installation site
- Available on finished systems

MANUAL OPEN OPTION

- Open curtains manually without the use of power using the new Manual Open carrier

COLOUR-MATCHED ENDCAPS

- New colour-matched track endcaps match standard track colours (bronze, white, or anodized aluminum)
- Available on finished systems

SIVOIA QED® | SYSTEM OVERVIEW



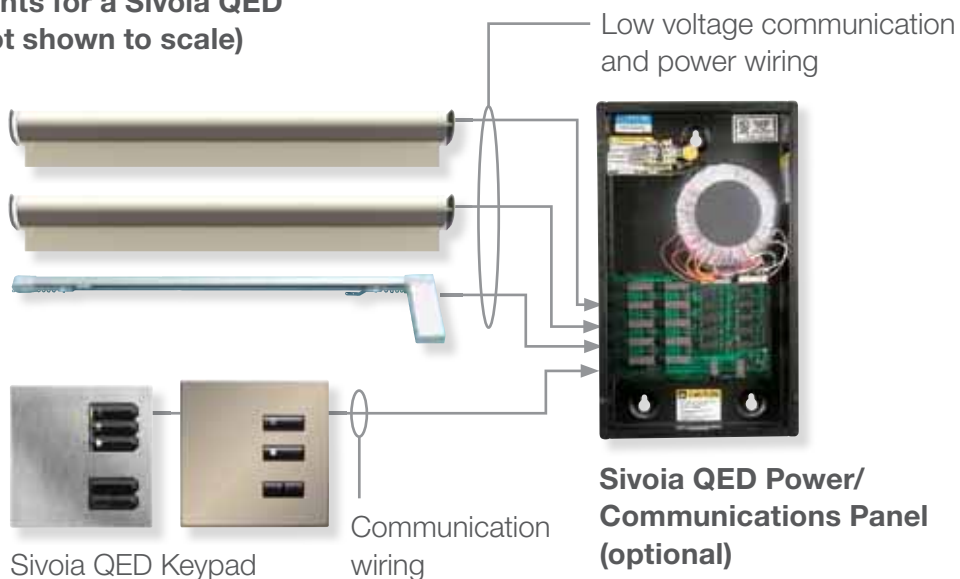
SIVOIA QED SYSTEM LAYOUT

Common components for a Sivoia QED shading system (not shown to scale)

Roller blinds containing electronic drive units

Curtain track containing electronic drive unit

Infrared remote (optional)



- Provides centralisation for wiring of multiple electronic drive units (EDUs)
- Each panel provides power for up to 10 Sivoia QED EDUs
- Sivoia QED EDUs may also be powered by individual transformers



**SIVOIA QED POWER PANEL
SVQ-10-PNL-230**

- Provides power and communication wiring for up to 10 Sivoia QED drives
- Utilises a custom seven-core combination communication/power cable (SVQ-CBL-250) or specify separate power and communication wiring
- SVQ-10-PNL-230 available for 230V applications

See the Sivoia QED technical reference guide at www.lutron.com/shadingsolutions for more information.

DIMENSIONS

- A** 241 mm
- B** 262 mm
- C** 445 mm
- D** 99 mm

