

Specifications

Regulatory Approvals

- Approved to UL® and CSA standards
- Design lights Consortium (DLC) models available

Power / Performance

Note: Luminaire rated at 100% light output.

- Universal input voltage 120–277 V~
- Total Harmonic Distortion (THD) <15 %
- Power factor >0.95
- Class A sound rating
- 50,000 hours rated fixture life (LED and driver)
 - LED life rated at 70% initial lumens (L_{70})
- Dimming range: 100% to 1% of total light output
- LED Features
 - 24 W 1600 lm and 45 W 4000 lm models available
 - 3500 K, and 4000 K color temperature LEDs available

Environment

- 32 °F to 104 °F (0 °C to 40 °C)
- Relative humidity less than 90% non-condensing
- For indoor use only

Compatible Controls

The following controls are available for use with Lutron® dimmable fixtures¹:

- GRAFIK Eye® QS
- Quantum®
- Maestro Wireless®
- Nova®
- Skylark®
- Vareo®
- RadioRa® 2
- Energi Savr Node™
- Nova T★®
- Diva®
- Ariadni®
- PowPak®

Key Design Features

- Design provides even, three-directional illumination for video conferencing and wall wash applications
- Fixture minimizes glare for individuals being illuminated
- Designed to lay into standard NEMA® Type G grid (suspended T-bar) ceilings
- Gypsum ceiling and surface mount options available
- Metal housing is finished with a post painted white TGIC polyester powder coat
- Fixture is made of 22 gauge cold-rolled steel
- Single-piece 97% high purity diffuse aluminum reflector
 - 1 ft x 2 ft fixture includes high-reflectance white diffuser
- Reflector removes without tools
- Quick access plate permits convenient power connections
- EcoSystem® digital and 3-wire dimming available
- Smooth, continuous flicker free dimming
- Diagonal mount option is available for T-Bar ceilings for podium applications

¹ Visit: www.lutron.com/TechnicalDocumentLibrary/EcoSystem_3-wire_report_card.pdf for a full list of compatible controls.

Job Name:	Model Numbers:
Job Number:	

Ordering Guide

Select appropriate code in each column to complete model number.
Example: FXVTIWIXNLEUTBXX

Product	Family	Fixture Type	Size	Color Temp	Control	Mounting Type	Option
FX = Fixtures	VT = Video Conference	IW = Indirect Wash	1X = 1 x 2 ft 24 W 1600 lm	NL = Neutral White LED 3500 K	3U = 1% 3 wire 120–277 V~	TB = T-bar	XX = None
			2X = 2 x 2 ft 45 W 4000 lm	CL = Cool White LED 4000 K	EU = 1% EcoSystem 120–277 V~	GY = Gypsum	E7 = Emergency Driver
						SM = Surface Mount	
						DB = 45° Diagonal ¹	

¹ Available for 1 ft x 2 ft T-Bar mount fixtures only.

Not for use in Quebec.

Job Name:	Model Numbers:
Job Number:	

Photometric Data

1 ft x 2 ft LED 24 W Indirect Wash Fixture (FXVTIW1XNL)

Measured in an Integrating Sphere

Photometric Summary	
LIGHT OUTPUT (lm)	1590
INPUT POWER (W)	25.31
EFFICACY (lm/W)	62.6
COLOR ACCURACY (CRI)	82.0
COLOR TEMPERATURE (K)	3445

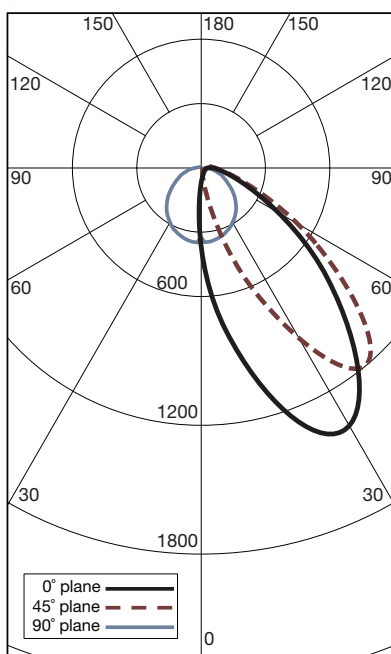
Measured with a Goniophotometer

Zonal Lumen Summary		
Zone	lm	% Luminaire
0-30	269	17.08
0-60	1231	78.09
0-90	1576	100.0
90-180	0	0.0
0-180	1576	100.00

Candela Table			
Angle	0°	45°	90°
0	135	135	135
5	145	214	249
45	113	1151	1037
90	0	0	0

Candela Plot

(measured with fixture mounted on the ceiling)



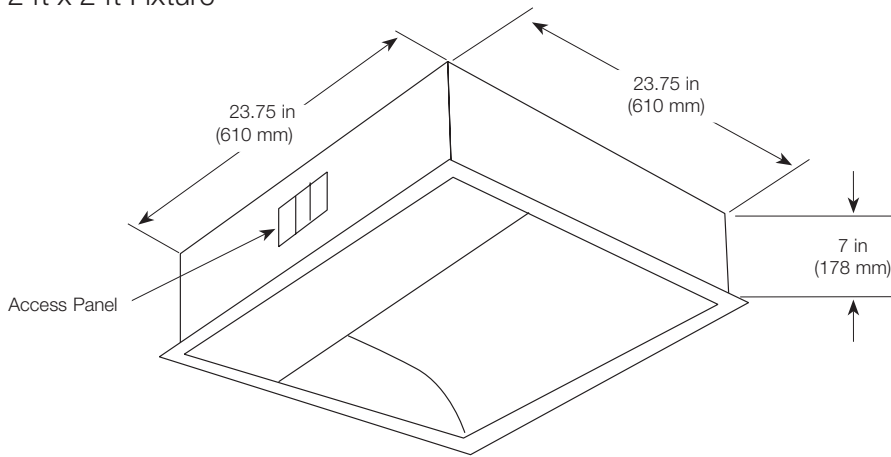
NOTES:

- Photometric data and IES files for all products available upon request. Please email fixtures@lutron.com or contact Lutron® Technical Support at 1.800.523.9466.
- Photometric test results from LM-79 reports.

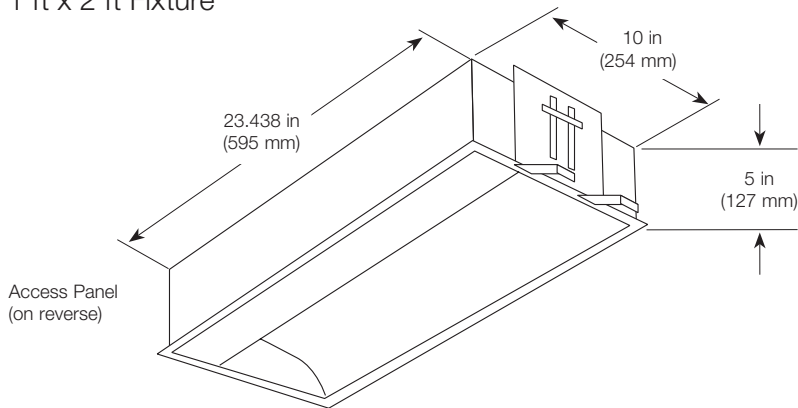
Job Name:	Model Numbers:
Job Number:	

Dimensions

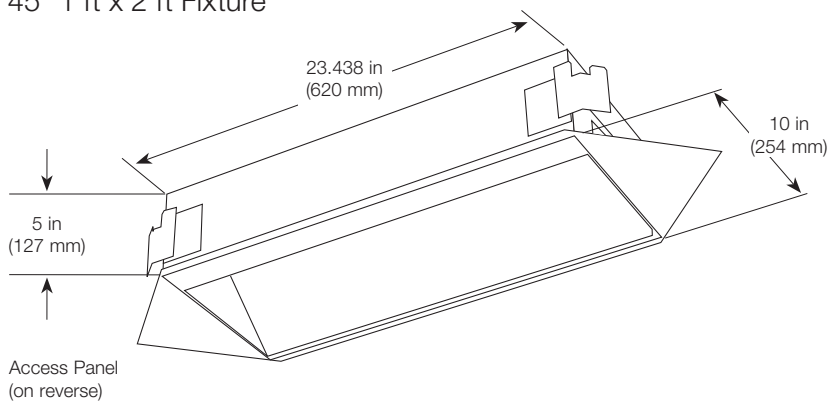
2 ft x 2 ft Fixture



1 ft x 2 ft Fixture



45° 1 ft x 2 ft Fixture



Job Name:	Model Numbers:
Job Number:	