

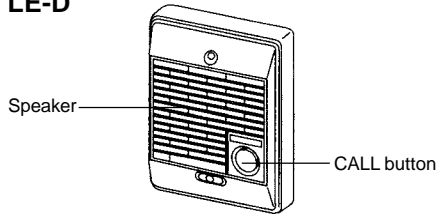


SPECIFICATIONS

LE-Series Door Stations

Surface and Flush Mount

LE-D



COMMON SPECIFICATIONS:

System: LEM, LEF, LAF-C
 Speaker: 20 ohms
 Wiring Distance: 650' w/22AWG; 1600' w/18AWG
 Temp. Rating: 14 to 140 F

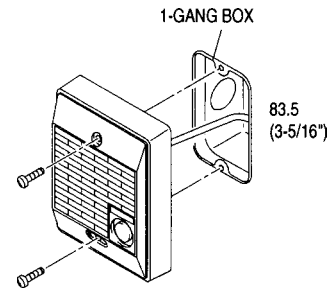
LE-D Specifications:

Dimensions: 4-3/4" x 3-7/16" x 1-1/8"
 Material: ABS plastic
 Color: Black faceplate, white trim ring

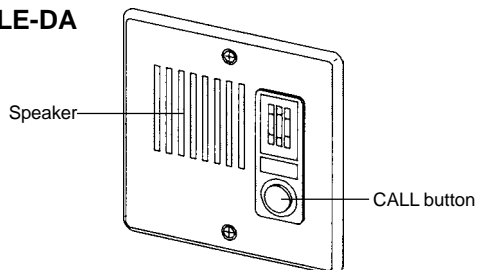
LE-D FEATURES:

- Weather resistant for outdoor use
- Push button to call master station(s)
- Hands free communication when master answers
- Compact surface mount design
- Mounts to 1-gang box or ring

MOUNTING & INSTALLATION:



LE-DA



Common Specifications, plus:

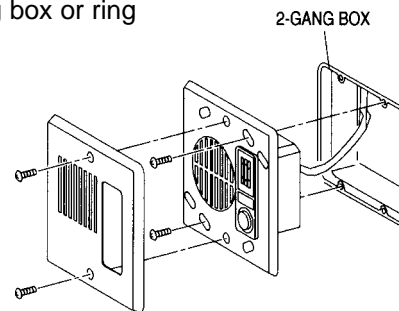
LE-DA Specifications:

Material: Plastic case, stainless steel faceplate
 Dimensions: 4-1/2" x 4-9/16" x 1-9/16"

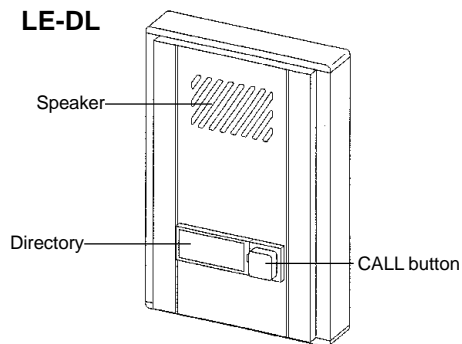
LE-DA FEATURES:

- Weather resistant for outdoor use
- Same calling and communication as LE-D
- Slim flush mount design
- Stainless steel faceplate
- Mounts in 2-gang box or ring

MOUNTING & INSTALLATION:



LE-DL



Common Specifications, plus:

LE-DL Specifications:

Backlight: 12V DC from system
 Material: Anodized aluminum
 Dimensions: 6-7/8" x 4-3/4" x 1"

LE-DL FEATURES:

- Weather resistant for outdoor use
- Same calling and communication as LE-D
- Directory strip with backlighting option
- Slim surface mount design
- Anodized aluminum cover
- Mounts to 1-gang box or ring

MOUNTING & INSTALLATION:

