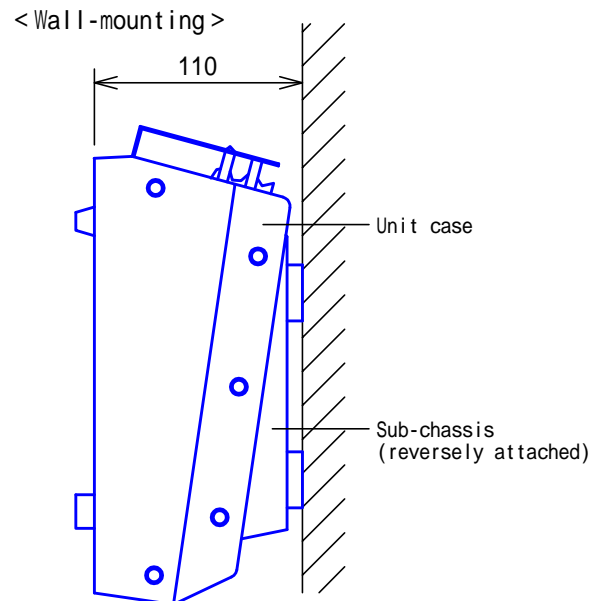
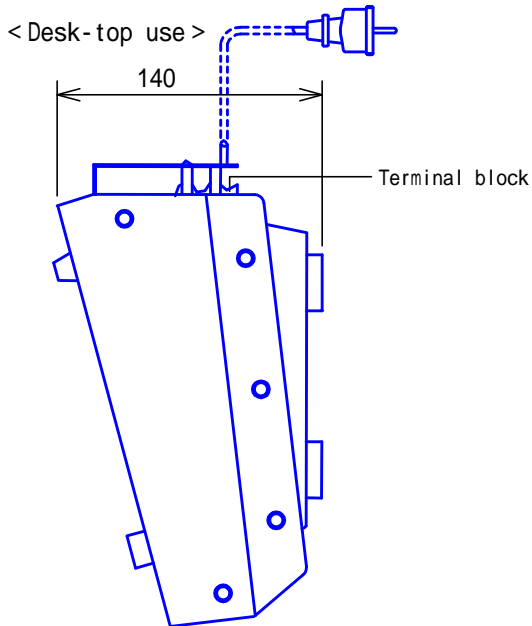
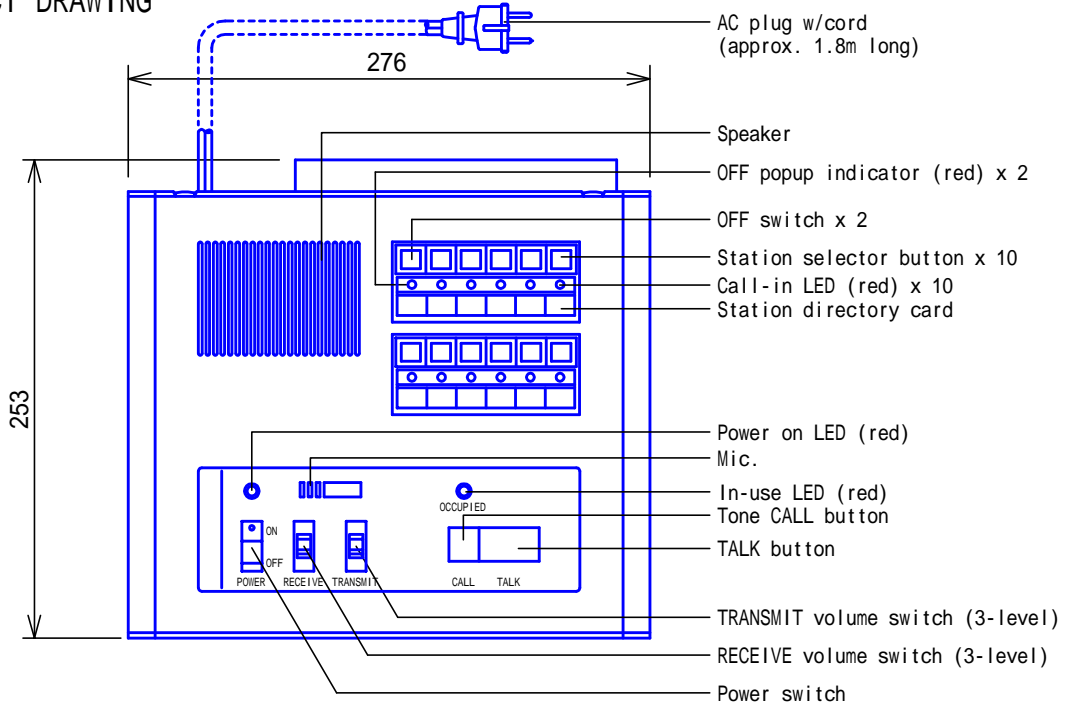


PRODUCT DRAWING



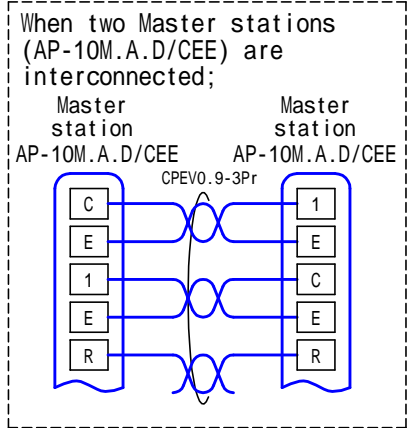
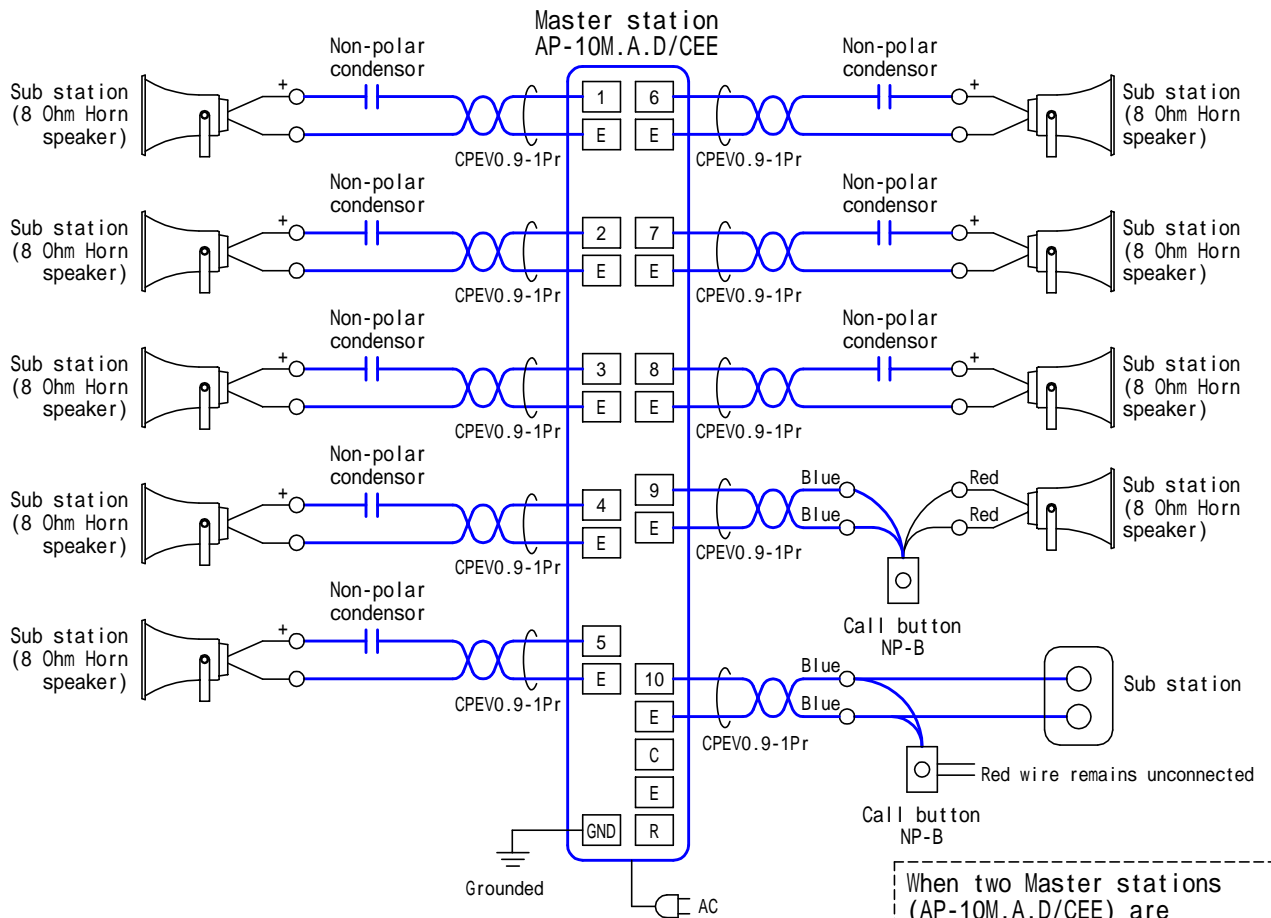
SPECIFICATIONS

Power source	AC230V, 50/60Hz.
Power consumption	45W(max.) 4W(in standby).
Type of communication	Open voice press-to-talk communication
Output power	10W
Mounting	Either desk-top or wall-mount * For wall-mounting, use KP-6 sub-plate.
Electrical box	Single-, 2- or 3-gang box
Housing	Front panel: Fire-retardant ABS plastic. Chassis: Sheet steel.
Weight	4.2kg(approx.)
Unit color	Front panel: Pearl white. Chassis: Mustard yellow.

DESCRIPTION MASTER STATION (High-Power, 10-call)	FIG. NAME PRODUCT/SPECIFICATIONS	UNIT mm	DATE 19 August, 2005
MODEL NO. AP-10M.A.D/CEE	FIG.NO. 06622301-1-2	PAGE 1/2	REVISION 1

**AIPHONE**

# WIRING DIAGRAM



## RESTRICTIONS

- The using cable shall be CPEV twisted-pair cable.  
 The sub-chassis shall remain attached (for heat sink).  
 Do not mount AP-10M.A.D/CEE in the following locations;
- Places under direct sunlight, or near heating equipment that varies in temperature.
  - Places subject to iron dust, dust, oil, chemicals, hydrogen sulfide (hot spring), etc.
  - Places subject to moisture and humidity extremes, such as bathroom, cellar, greenhouse, etc.
  - Places where the temperature is quite low, such as inside a refrigerated area or in front of air-conditioner.
  - Places subject to steam or smoke (heating or cooking surfaces).

## FUNCTIONS

Calling a Sub station by pressing CALL button (At the Sub station, mono call tone rings. Communication with Sub station; Press-to-talk, release-to-listen alternately switched with Talk button.

## SETTING

Adjusting RECEIVE volume (3-level) ..... With RECEIVE volume control  
 Adjusting TRANSMIT volume (3-level)..... With TRANSMIT volume control

DESCRIPTION MASTER STATION (High-Power, 10-call)	FIG. NAME WIRING/RESTR./FCN./SETTING	UNIT mm	DATE 19 August, 2005
MODEL NO. AP-10M.A.D/CEE	FIG.NO. 06622301-2-2	PAGE 2/2	REVISION 2

**AIPHONE**