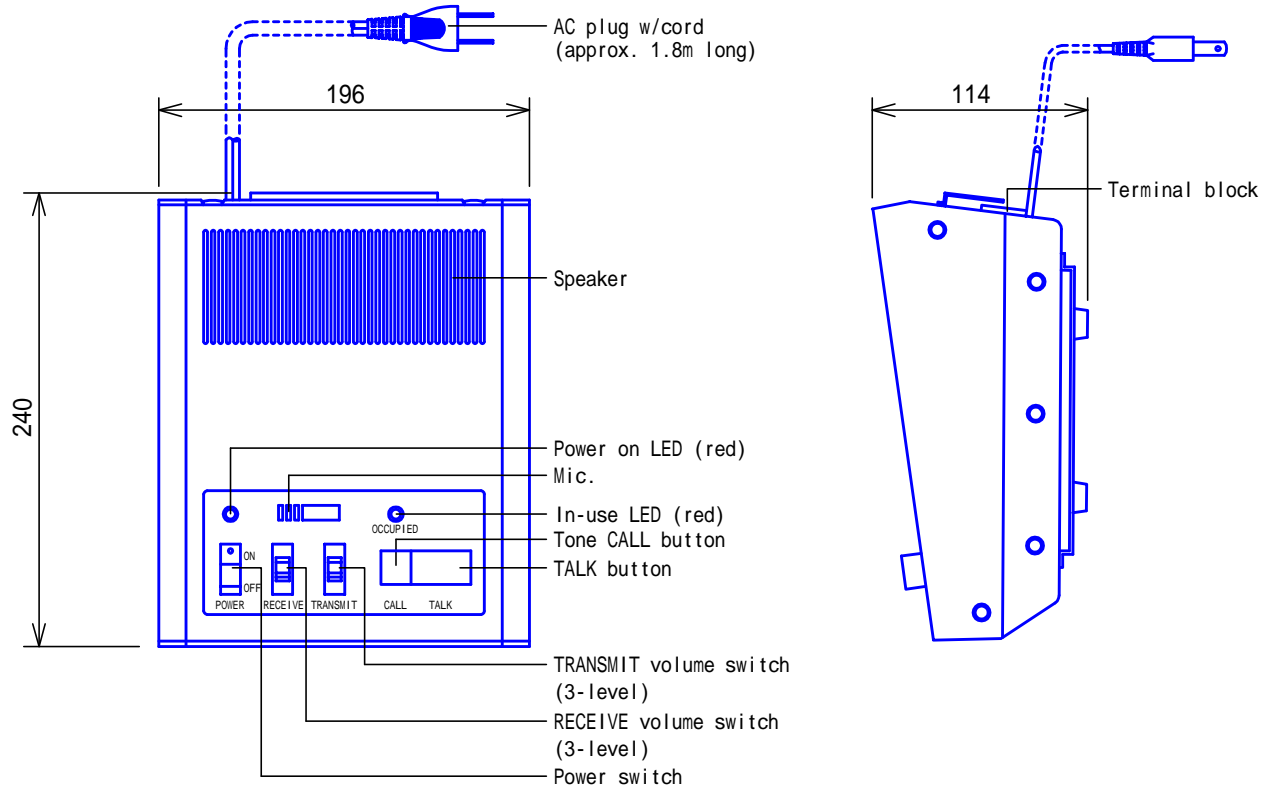


## PRODUCT DRAWING



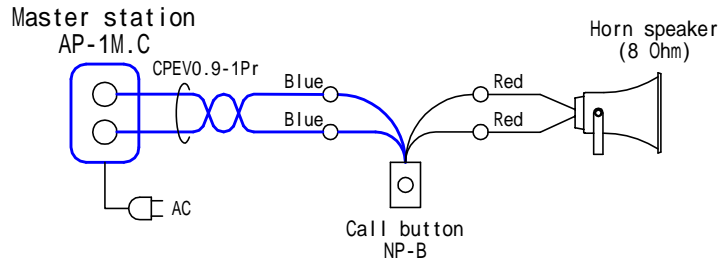
## SPECIFICATIONS

Power source	AC120V, 50/60Hz.		
Power consumption	40W(max.) 6W(in standby).		
Type of communication	Open voice press-to-talk communication		
Communication output	10W		
Mounting	Desk-top use or wall-mount (For wall-mounting, use KP-5 sub-plate.)		
Electrical box	Single-gang box or 2-gang box		
Housing	Front panel: Fire-retardant ABS plastic. Chassis: Sheet steel.		
Weight	3.2kg(approx.)		
Unit color	Front panel: Pearl white. Chassis: Mustard yellow.		
DESCRIPTION MASTER STATION (High-Power, 1-call)	FIG. NAME PRODUCT/SPECIFICATIONS	UNIT mm	DATE 19 August, 2005
MODEL NO. AP-1M.C	FIG.NO. 06116306-1-2	PAGE 1/2	REVISION 1

**AIPHONE**

## WIRING DIAGRAM

When a Sub station is 8 Ohm Horn speaker;



## RESTRICTIONS

The using cable shall be CPEV twisted-pair cable.

The sub-chassis shall remain attached (for heat sink).

Do not mount AP-1M.C in the following locations;

- Places under direct sunlight, or near heating equipment that varies in temperature.
- Places subject to iron dust, dust, oil, chemicals, hydrogen sulfide (hot spring), etc.
- Places subject to moisture and humidity extremes, such as bathroom, cellar, greenhouse, etc.
- Places where the temperature is quite low, such as inside a refrigerated area or in front of air-conditioner.
- Places subject to steam or smoke (heating or cooking surfaces).

## FUNCTIONS

Calling a Sub station by pressing CALL button (At the Sub station, mono call tone rings.)  
 Communication with Sub station; Press-to-talk, release-to-listen alternately switched with Talk button.

## SETTING

Adjusting RECEIVE volume (3-level) ..... With RECEIVE volume control  
 Adjusting TRANSMIT volume (3-level)..... With TRANSMIT volume control

DESCRIPTION MASTER STATION (High-Power, 1-call)	FIG. NAME WIRING/RESTR./FCN./SETTING	UNIT mm	DATE 19 August, 2005
MODEL NO. AP-1M.C	FIG.NO. 06116306-2-2	PAGE 2/2	REVISION 1

**AIPHONE**