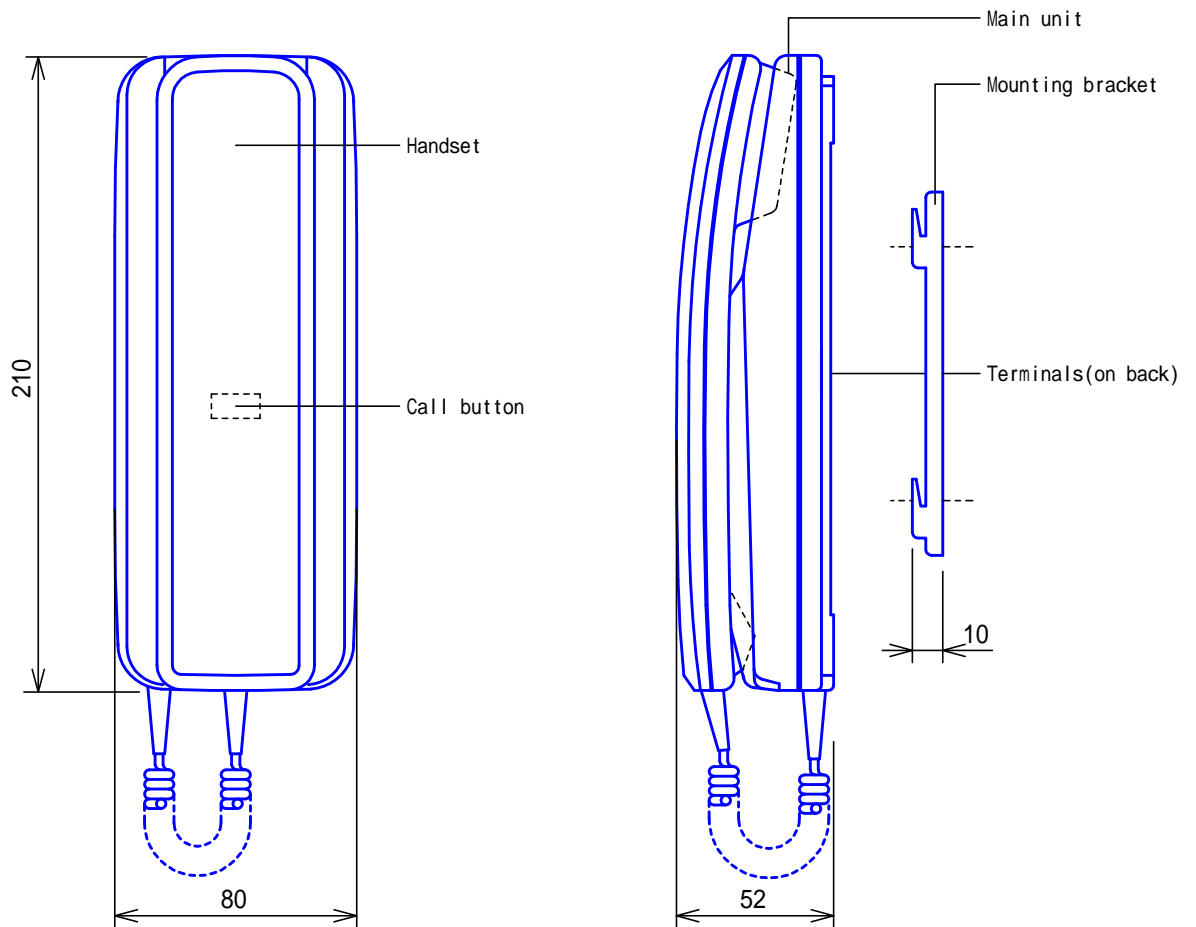
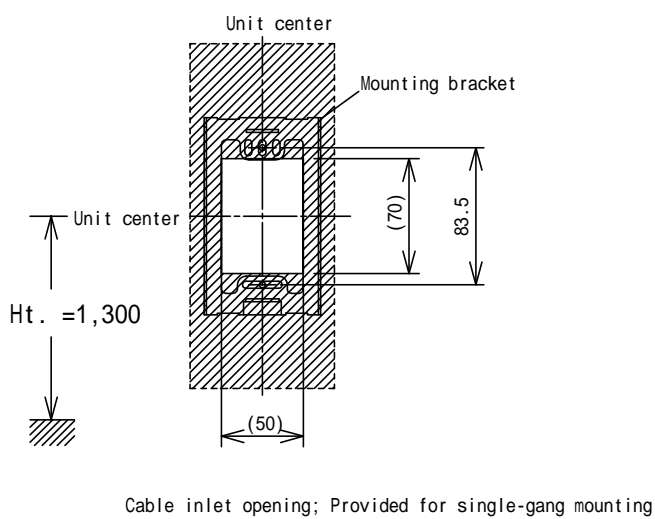


PRODUCT DRAWING

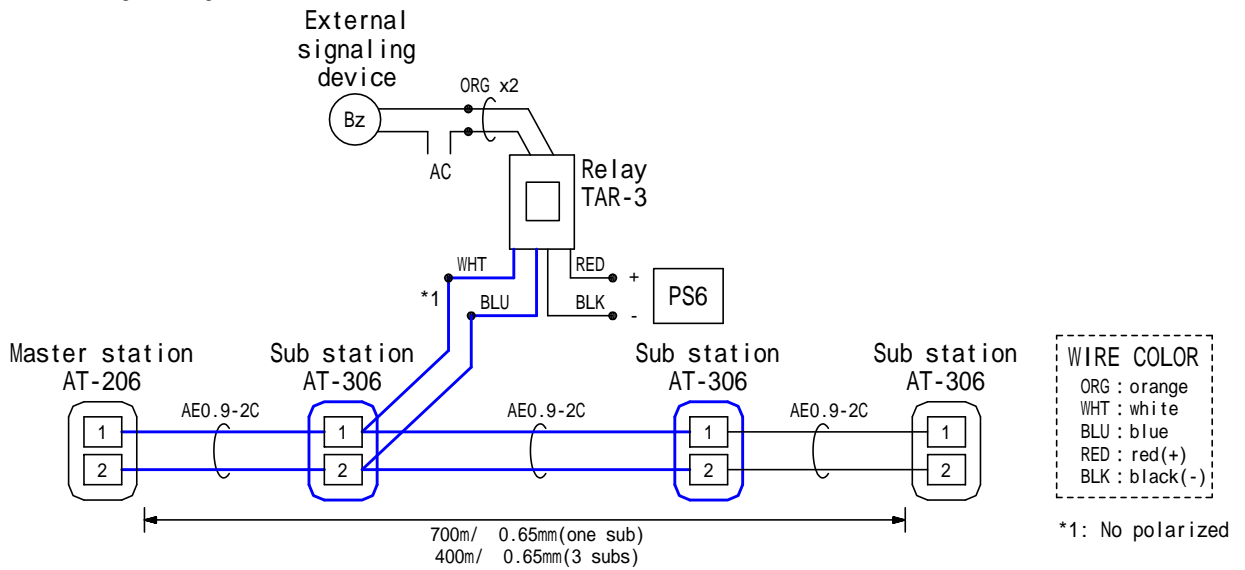


Mounting



DESCRIPTION SUB STATION	(AT-406 set or Single unit)	FIG. NAME PRODUCT DRAWING	UNIT mm	DATE 11 March, 2002
MODEL NO. AT-306		FIG.NO. 34458301-1-2	PAGE 1/2	REVISION 1
				AIPHONE

WIRING DIAGRAM



RESTRICTIONS

- AT-306 rings a call to the master station only.
- AT-306 can be used for AT-206 only.
- AT-306 is intended for wall-mounting only.

FUNCTIONS

- Call the master station by pressing CALL button. Enter communication upon Master station lifting handset.
- Receive a call from Master station by mono tone.
- Rings all Sub stations. Lift any handset.
- External signaling device, such as buzzer, is activated as long as the sub station is being signaled.

SPECIFICATIONS

Power source	Supplied from master station			
Type of communication	Simultaneous with handset			
Capacity	Sub station : max.3. External signaling device : max. 3			
Call tone	Electronic oscillating Beep tone(volume invariable)			
Mounting	Wall-mount			
Electrical box	Single-gang box			
Housing	HIPS plastic			
Weight	Approx.280g			
Unit color	Snow white			
DESCRIPTION SUB STATION	(AT-406 set or Single unit)	FIG. NAME WIRING/RESTR./FCN./SPEC.	UNIT mm	DATE 11 March, 2002
MODEL NO. AT-306		FIG.NO. 34458301-2-2	PAGE 2/2	REVISION 1

AIPHONE