

HANDSET INTERCOM AT-406

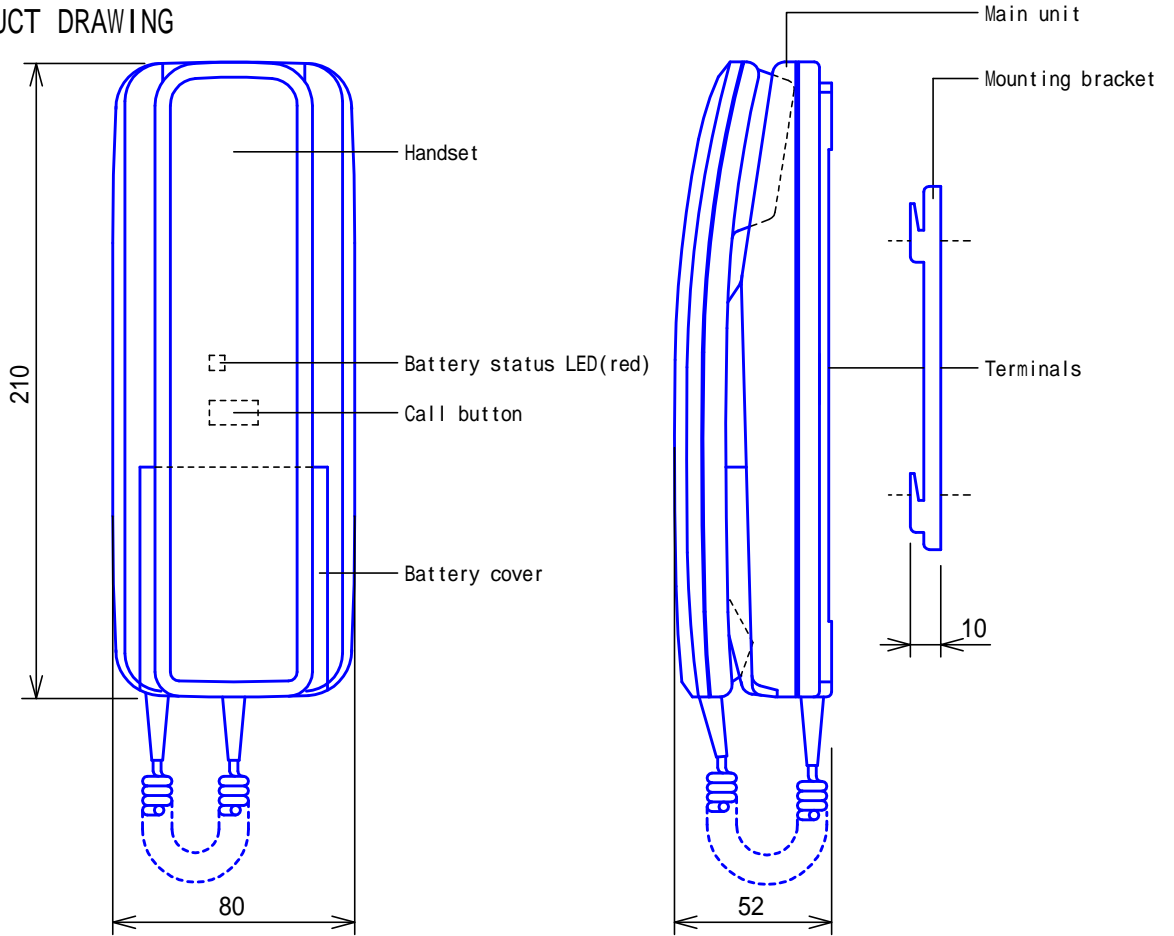
Kit box contains;

DESCRIPTION	MODEL NO.	UNIT
Master station	AT-206	1 unit
Sub station	AT-306	1 unit

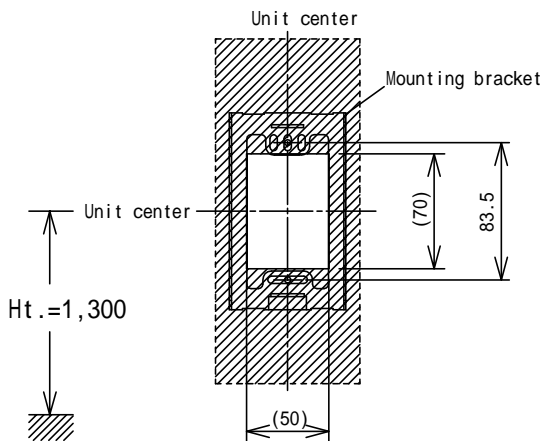
DESCRIPTION HANDSET INTERCOM KIT BOX	FIG. NAME KIT BOX CONTENTS	UNIT mm	DATE 11 July, 2005
MODEL NO. AT-406	FIG.NO. 34470301-1-5	PAGE 1/5	REVISION 1

AIPHONE

PRODUCT DRAWING



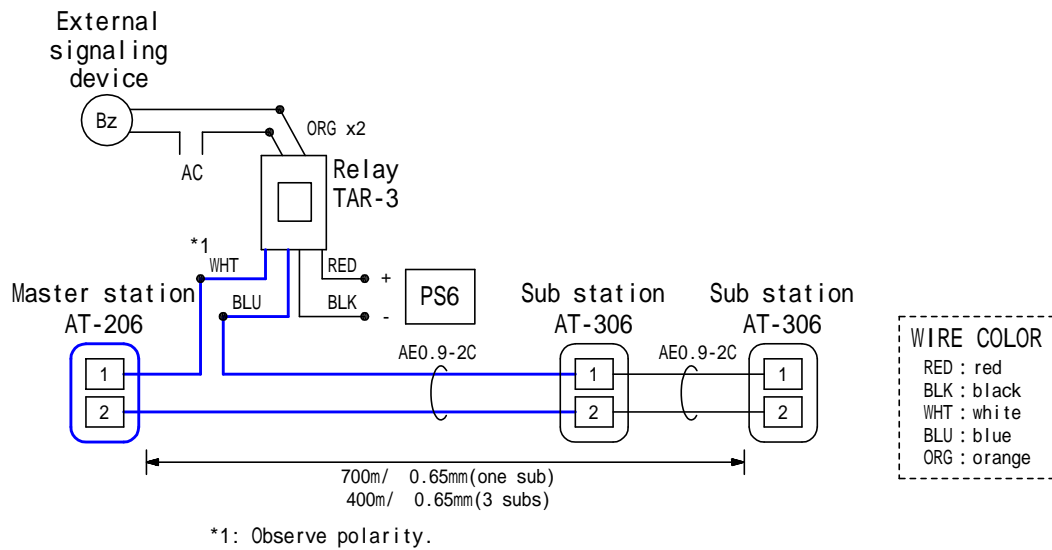
MOUNTING



Cable inlet opening: Provided for single-gang mounting

DESCRIPTION MASTER STATION AT-206	FIG. NAME PRODUCT DRAWING	UNIT mm	DATE 11 March, 2002
MODEL NO. AT-406	FIG.NO. 34470301-2-5	PAGE 2/5	REVISION 1
			AIPHONE

WIRING DIAGRAM



RESTRICTIONS

- Call a sub station(s) in "All-Call" manner.
- To reach a particular sub station, differentiate way of sounding tone, such as times, etc.
- Use AT-306 only for sub station of AT-206 Master station.
- AT-206 is not designed for desk-top use.

FUNCTIONS

- Calling a sub station(s) by pressing CALL button. Enter communication upon (either) sub station lifting handset.
- External signaling device, such as buzzer, is activated as long as the AT-206 station is being signaled.

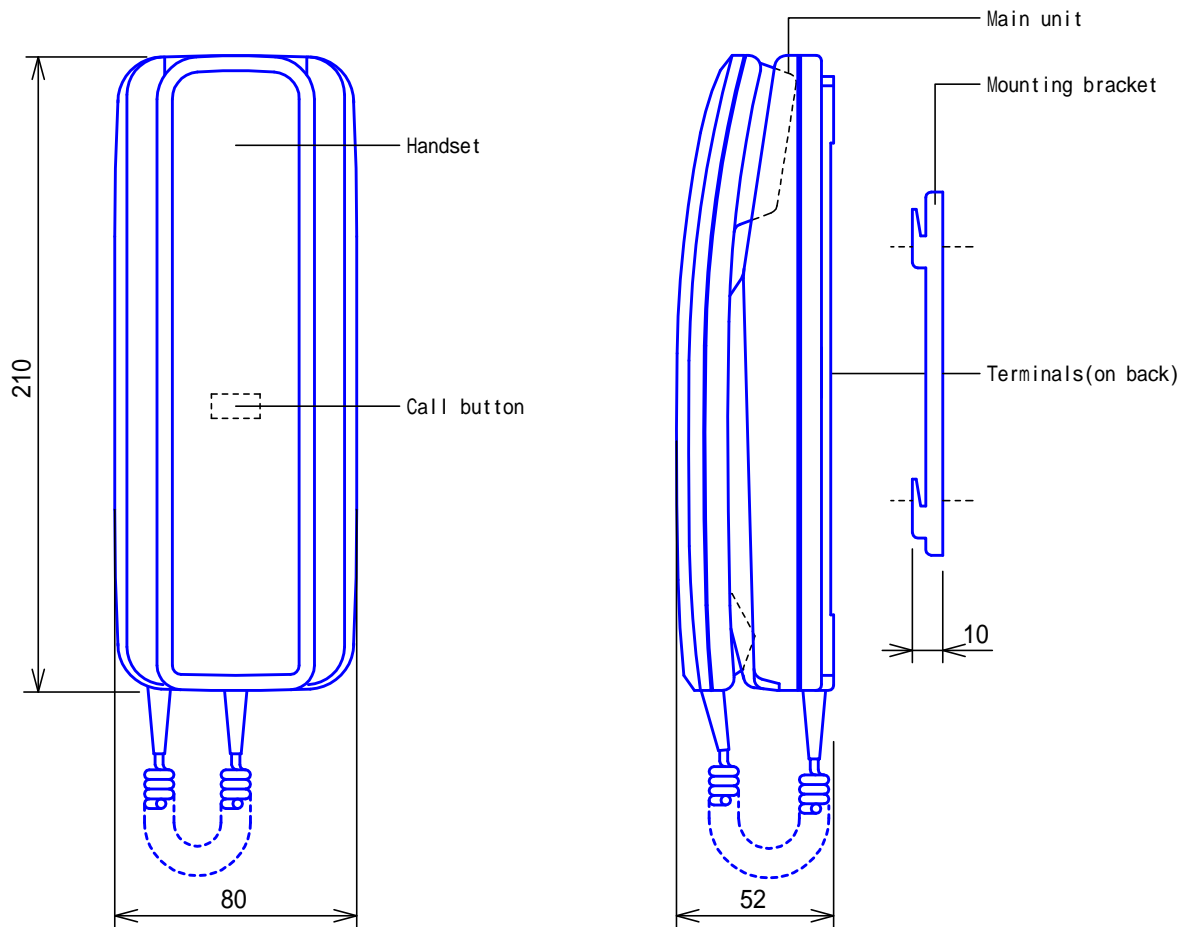
SPECIFICATIONS

Power source	DC6V. Use four batteries "AA" (SUM-3)
Type of communication	Simultaneous with handset
Battery life	Approx. 1 year (Estimated use : 10 times a day, w/5 sec. for calling and 20 sec. for communication)
Capacity	Sub station (AT-306): Max. 3 units. Installs an External signaling device via Relay.
Call tone	Electronic oscillating Beep tone(volume invariable)
Mounting	Wall-mount
Electrical box	Single-gang box
Housing	HIPS plastic
Weight	Approx. 300g (Batteries not included)
Unit color	Snow white

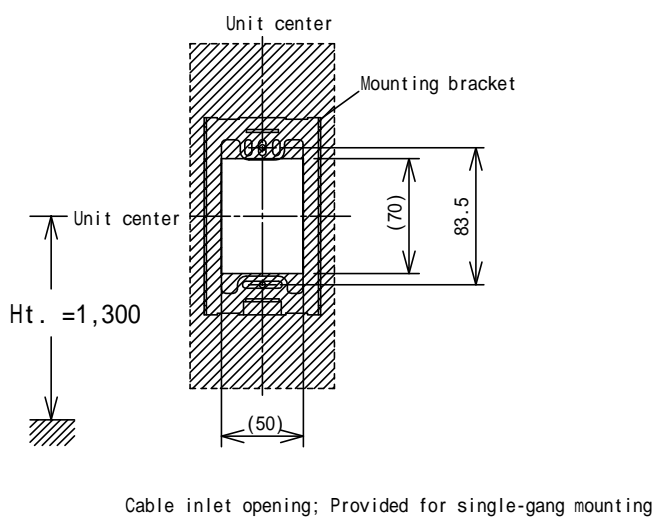
DESCRIPTION	FIG. NAME	UNIT	DATE
MASTER STATION AT-206	SPEC./WIRING/RESTRIC./FUNC.	mm	11 March, 2002
MODEL NO.	FIG.NO.	PAGE	REVISION
AT-406	34470301-3-5	3/5	1

AIPHONE

PRODUCT DRAWING

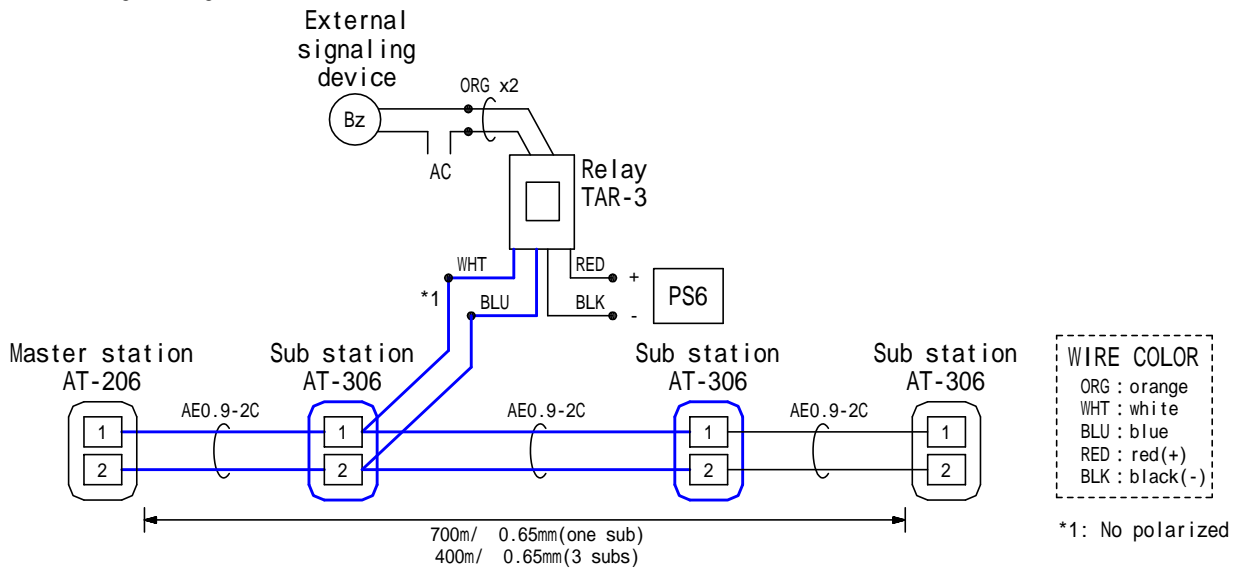


Mounting



DESCRIPTION SUB STATION AT-306	FIG. NAME PRODUCT DRAWING	UNIT mm	DATE 11 March, 2002
MODEL NO. AT-406	FIG.NO. 34470301-4-5	PAGE 4/5	REVISION 1
			AIPHONE

WIRING DIAGRAM



RESTRICTIONS

- AT-306 rings a call to the master station only.
- AT-306 can be used for AT-206 only.
- AT-306 is intended for wall-mounting only.

FUNCTIONS

- Call the master station by pressing CALL button. Enter communication upon Master station lifting handset.
- Receive a call from Master station by mono tone.
- Rings all Sub stations. Lift any handset.
- External signaling device, such as buzzer, is activated as long as the sub station is being signaled.

SPECIFICATIONS

Power source	Supplied from master station		
Type of communication	Simultaneous with handset		
Capacity	Sub station : max.3. External signaling device : max. 3		
Call tone	Electronic oscillating Beep tone(volume invariable)		
Mounting	Wall-mount		
Electrical box	Single-gang box		
Housing	HIPS plastic		
Weight	Approx.280g		
Unit color	Snow white		
DESCRIPTION	FIG. NAME	UNIT	DATE
SUB STATION AT-306	WIRING/RESTRIC./FUNC./SPEC.	mm	11 March, 2002
MODEL NO.	FIG.NO.	PAGE	REVISION
AT-406	34470301-5-5	5/5	1

AIPHONE