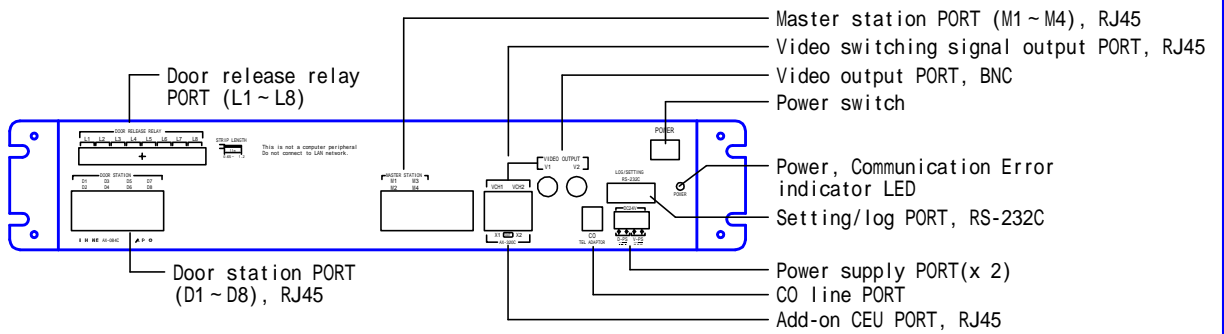
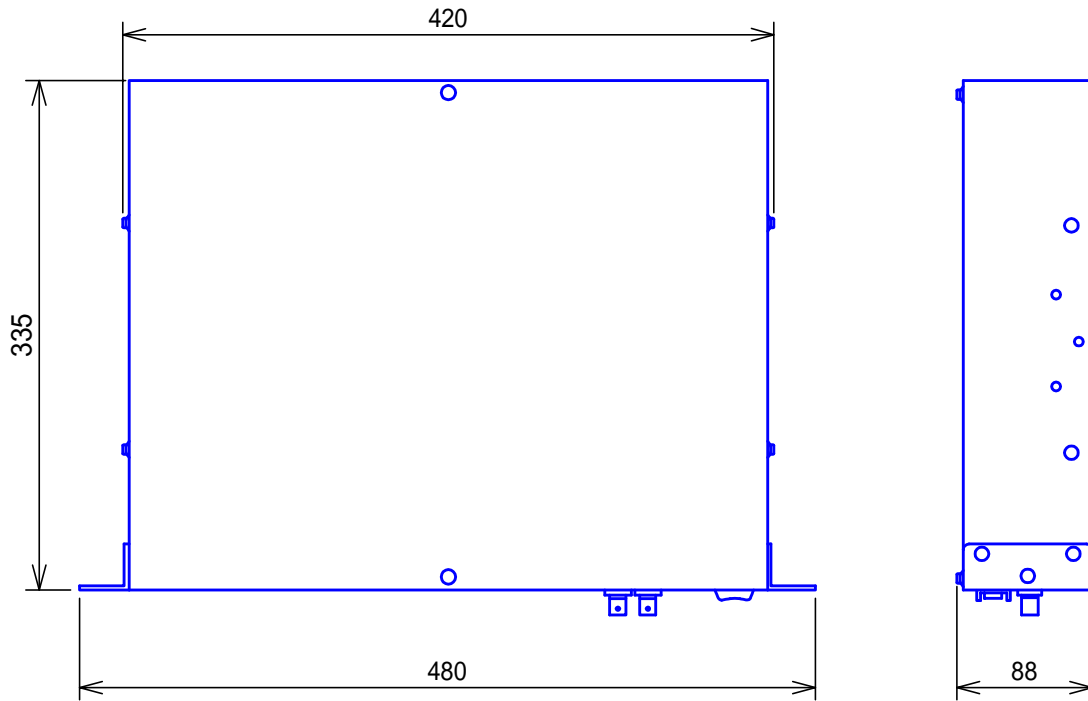
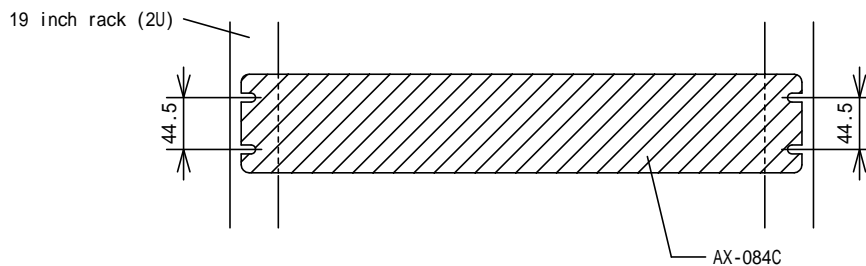


PRODUCT DRAWING

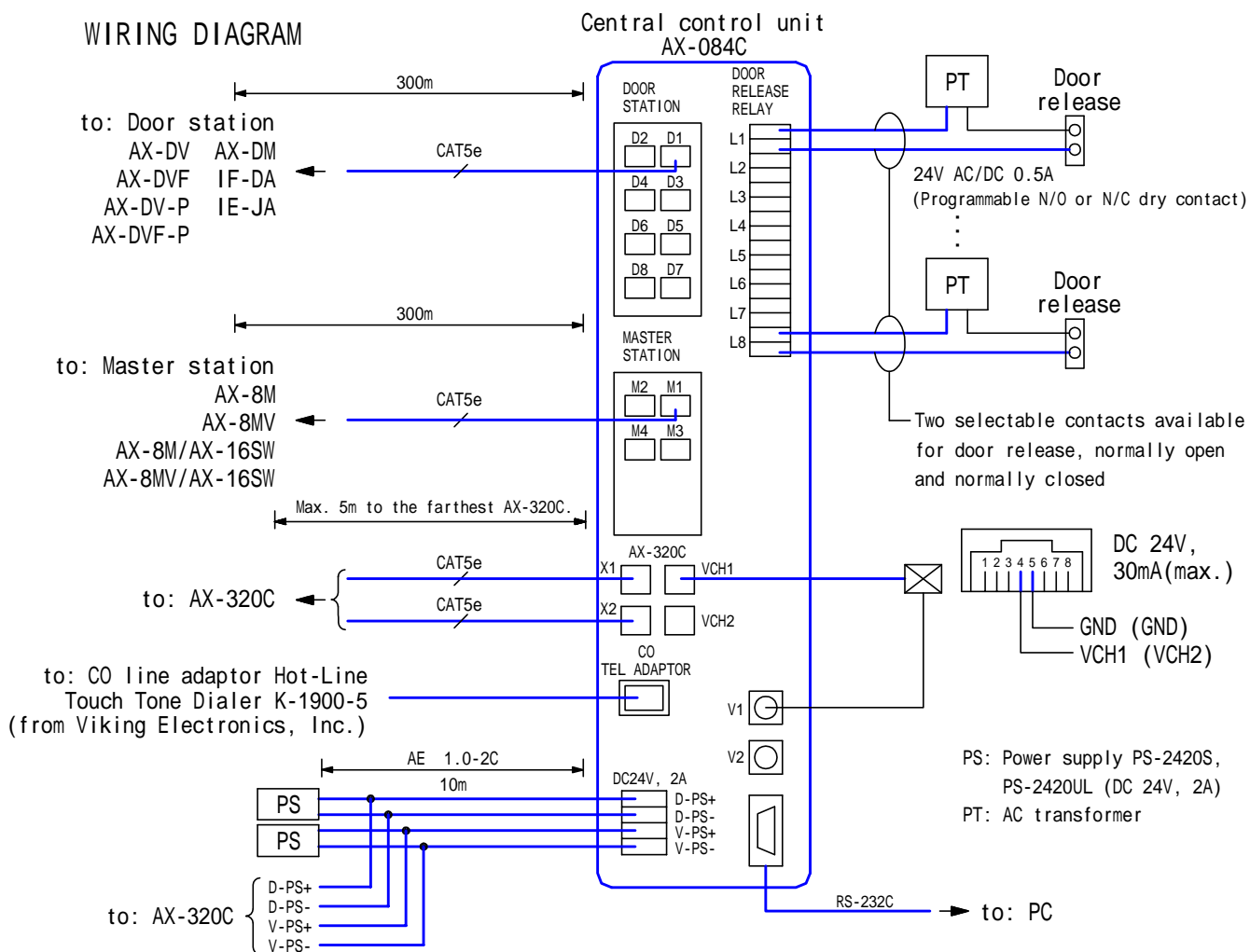


MOUNTING



DESCRIPTION CENTRAL EXCHANGE UNIT (AX)	FIG. NAME PRODUCT DRAWING	UNIT mm	DATE 10 April, 2006
MODEL NO. AX-084C	FIG.NO. 41591301-1-2	PAGE 1/2	REVISION 1
			<b>AIPHONE</b>

## WIRING DIAGRAM



## RESTRICTIONS

- AX-084C shall be mounted on the rack (19-inch, U2).
- AX-084C shall be located so that all the Master and Door stations be within max. 300m using CAT5e cable.

## FUNCTIONS

- Provides open voice communication, hands-free auto-voice actuation or press-to-talk.
- Provides door station call-in transferred to CO line party. (For North America only)
- Provides door release contacts(8) corresponding to Door stations(1~8).
- Provides video output NTSC for external video device.

## SPECIFICATIONS

Power source	DC 24V, 2A x 2
Current consumption	Max. 1,350mA (D-PS 700mA, V-PS 650mA)
Station capacity	4 Master stations. 8 Door stations.
Mounting	Rack-mount (19-inch 2U rack) or wall mount
Video output	NTSC 1Vpp(0.7~1.4Vpp), BNC(2).
External video device trigger	Trigger open collector output DC 24V, 30mA, with RJ45(2).
Ambient temperature	0~+40
Weight	4,700g(approx.)
Remarks	Used for: AX System

DESCRIPTION	FIG. NAME	UNIT	DATE
CENTRAL EXCHANGE UNIT (AX)	SPEC./WIRING/RESTR./FCN.	mm	28 October, 2010
MODEL NO.	FIG.NO.	PAGE	REVISION
AX-084C	41591301-2-2	2/2	2

**AIPHONE**