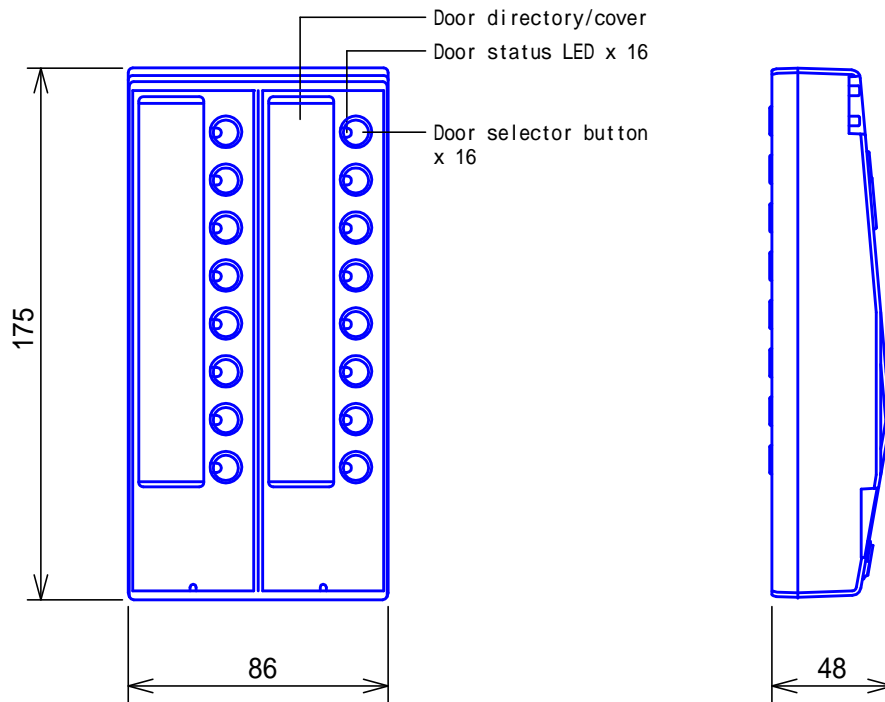
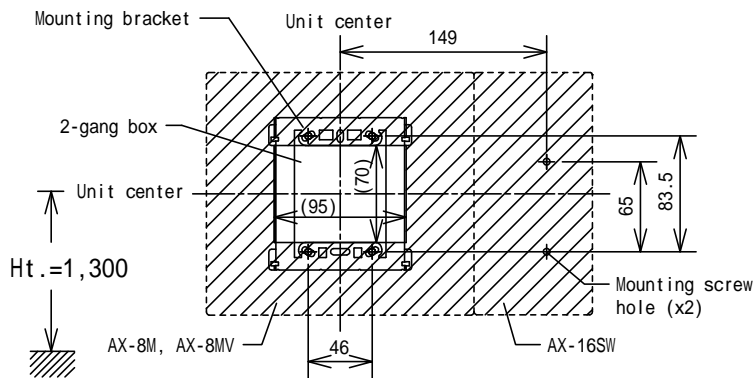


PRODUCT DRAWING



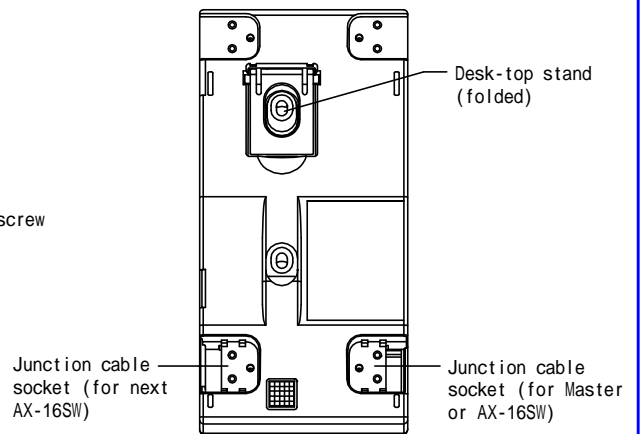
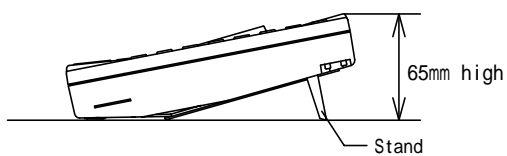
MOUNTING

- Wall-mounting



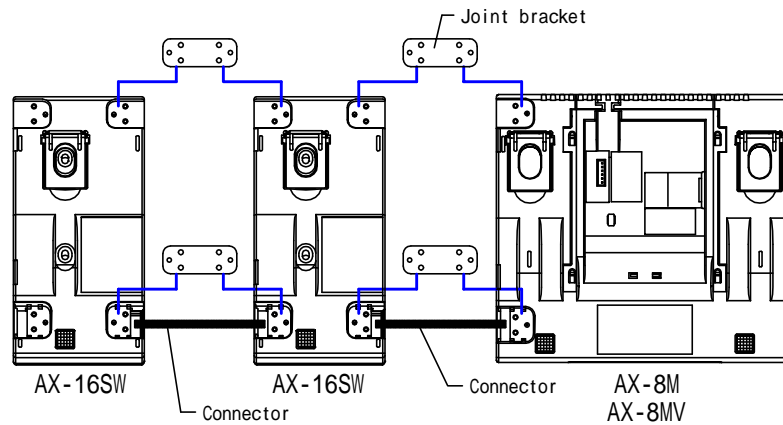
* Opening: 95W x 70H cut out for 2-gang mounting

- Desk-top mounting



<Back view>

DESCRIPTION 16-CALL ADD-ON SELECTOR (AX)	FIG. NAME PRODUCT DRAWING	UNIT mm	DATE 10 April, 2006
MODEL NO. AX-16SW	FIG.NO. 41579-1-2	PAGE 1/2	REVISION 1
			AIPHONE



Interconnect Master station & AX-16SW units, plugging the supplied CAT5e cable connector in each socket.

Unit Master station & AX-16SW units, fixing with two joint brackets.

FUNCTIONS

Provides 16 Door station connect capability in conjunction with Master station AX-8M or AX-8MV.

SPECIFICATIONS

Calling capacity	16 Sub stations per Unit.		
Unit capacity	Max. 7 units AX-16SW (for up to 112 Door stations). Max. 120 Door stations per System.		
Mounting	Desk-top use or wall-mounting.		
Wiring	By two junction connector (supplied) plugged to each Master AX-8M or AX-8MV, and to next add-on selector AX-16SW.		
Housing	Front panel: ABS resin		
Unit color	Black (N1 Munsell Approximation).		
Weight	200g(approx.)		
Remarks	Used for AX system		
DESCRIPTION 16-CALL ADD-ON SELECTOR (AX)	FIG. NAME PRODUCT/SPEC./FCN.	UNIT mm	DATE 10 April, 2006
MODEL NO. AX-16SW	FIG.NO. 41579-2-2	PAGE 2/2	REVISION 1

AIPHONE