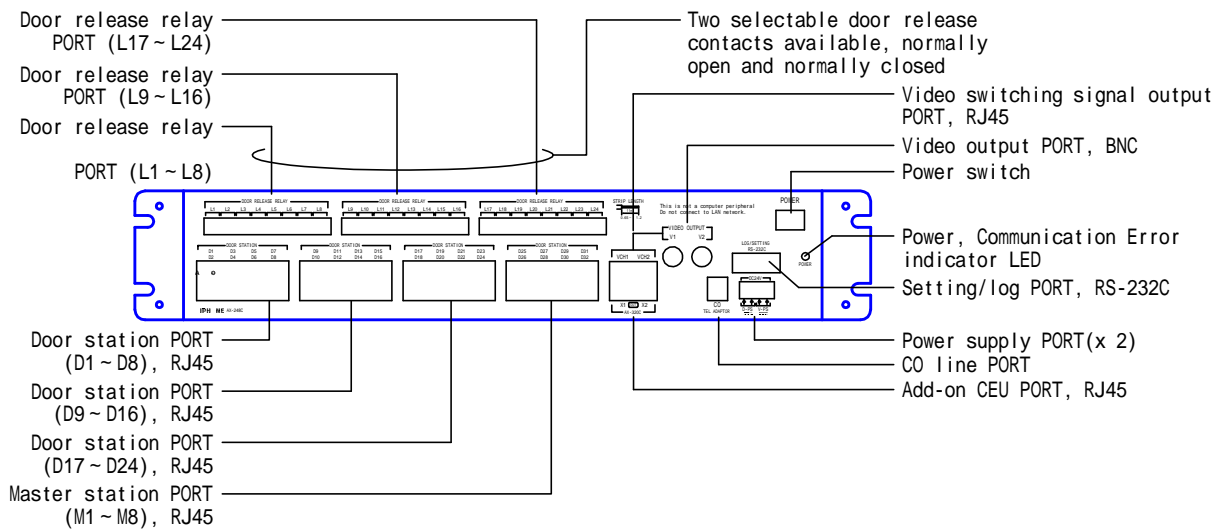
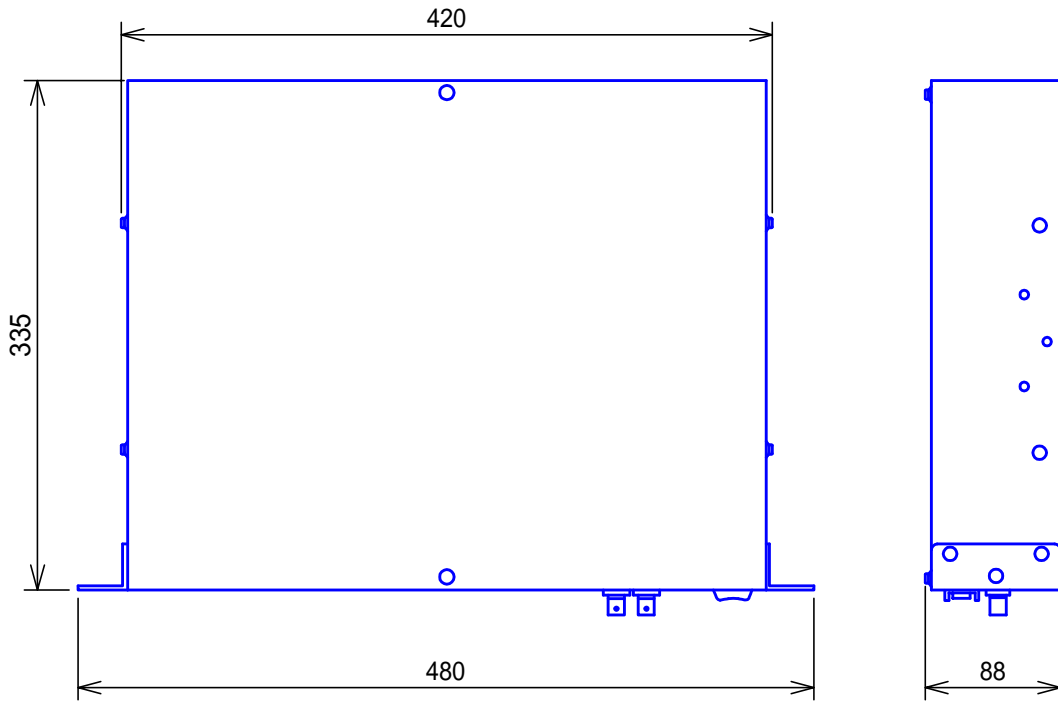
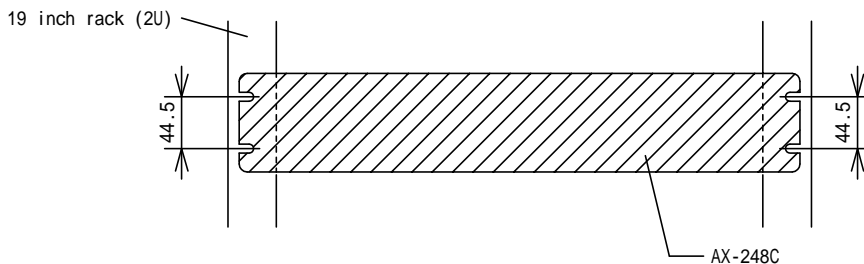


PRODUCT DRAWING

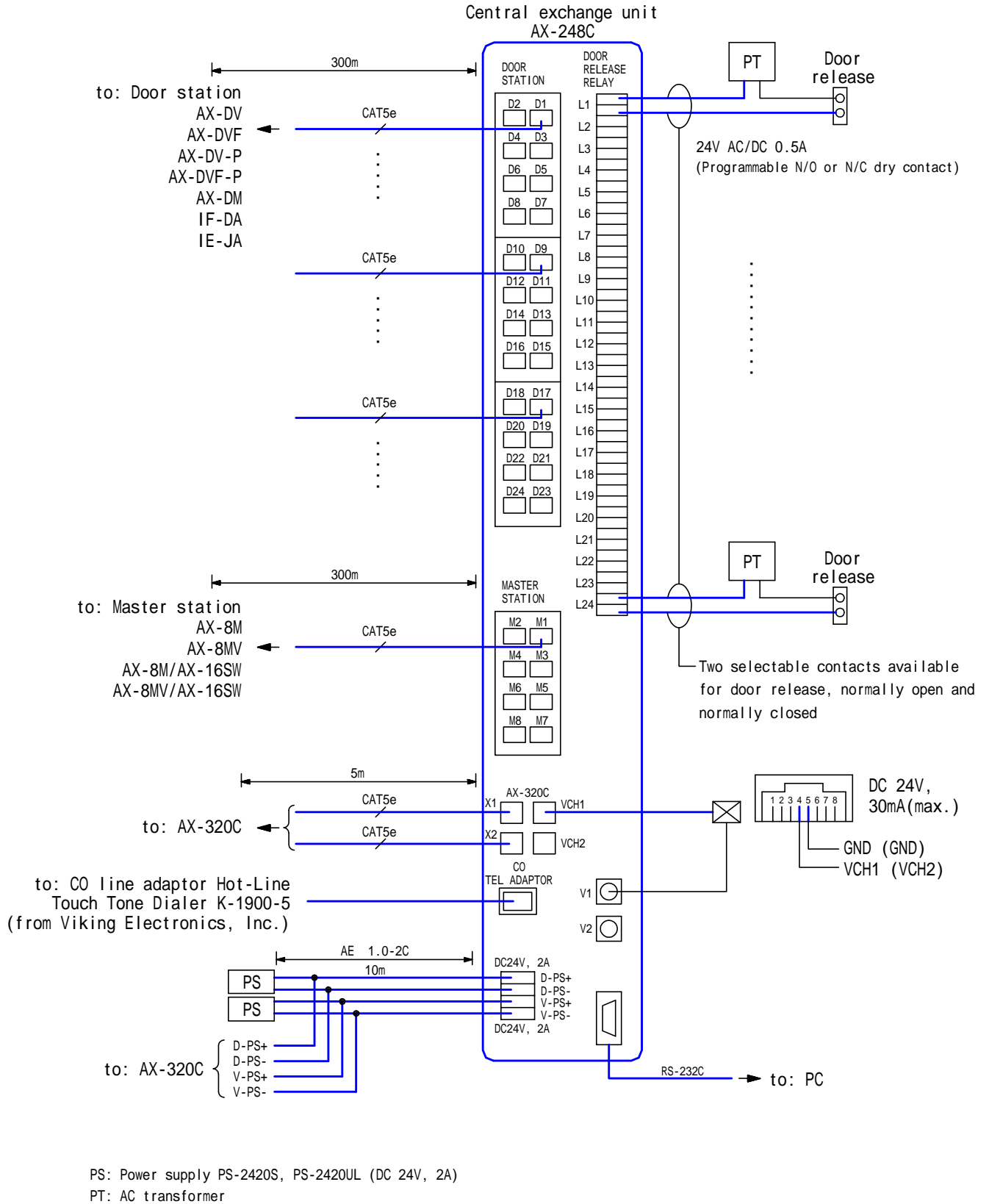


MOUNTING



DESCRIPTION CENTRAL EXCHANGE UNIT (AX)	FIG. NAME PRODUCT DRAWING	UNIT mm	DATE 12 April, 2006
MODEL NO. AX-248C	FIG.NO. 41609301-1-3	PAGE 1/3	REVISION 1
			AIPHONE

WIRING DIAGRAM



DESCRIPTION CENTRAL EXCHANGE UNIT (AX)	FIG. NAME WIRING DIAGRAM	UNIT mm	DATE 27 November, 2007
MODEL NO. AX-248C	FIG.NO. 41609301-2-3	PAGE 2/3	REVISION 2
			AIPHONE

RESTRICTIONS

AX-248C shall be mounted on the rack (19-inch, U2).

AX-248C shall be located so that all the Master and Door stations be within max. 300m using CAT5e cable.

FUNCTIONS

Provides door station call-in transferred to CO line party. (For North America only)

Provides door release contacts(24) corresponding to Door stations(1~24).

Provides video output NTSC for external video device.

SPECIFICATIONS

Power source	DC 24V, 2A x 2
Current consumption	Max. 2,400mA (D-PS 1,250mA, V-PS 1,150mA)
Station capacity	8 Master stations. 24 Door stations.
Mounting	Rack-mount (19-inch 2U rack) or wall mount
Video output	Complied with NTSC 1Vpp(0.7~1.4Vpp), BNC(2).
External video device trigger	Trigger open collector output DC 24V, 30mA, with RJ45(2).
Ambient temperature	0~+40
Weight	4,700g(approx.)
Remarks	Used for: AX System

DESCRIPTION	FIG. NAME	UNIT	DATE
CENTRAL EXCHANGE UNIT (AX)	SPEC./RESTR./FCN.	mm	28 October, 2010
MODEL NO. AX-248C	FIG.NO. 41609301-3-3	PAGE 3/3	REVISION 2

AIPHONE