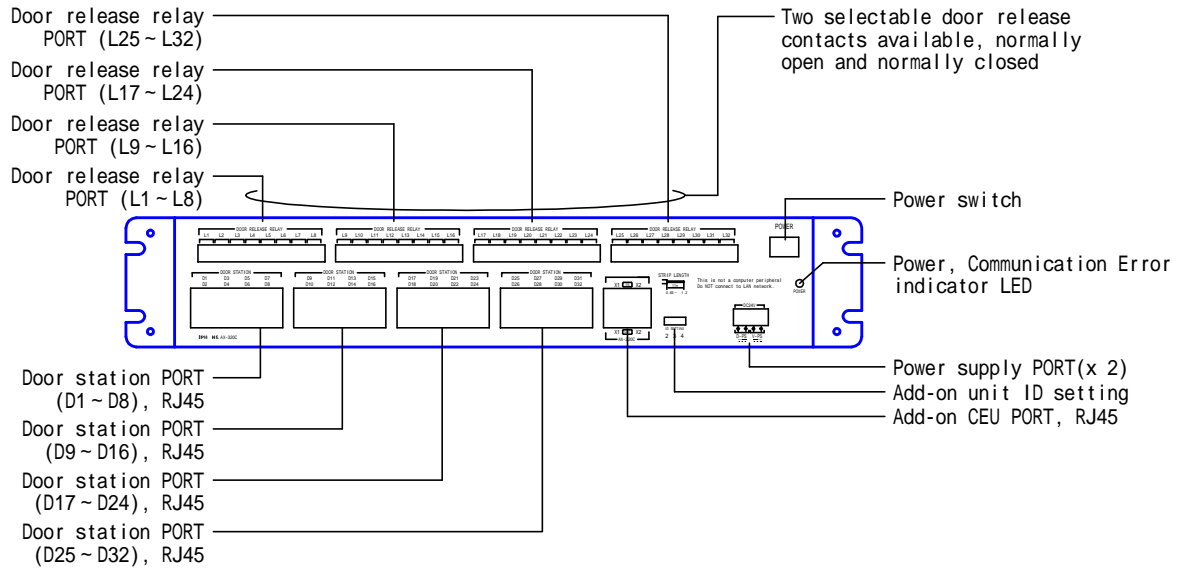
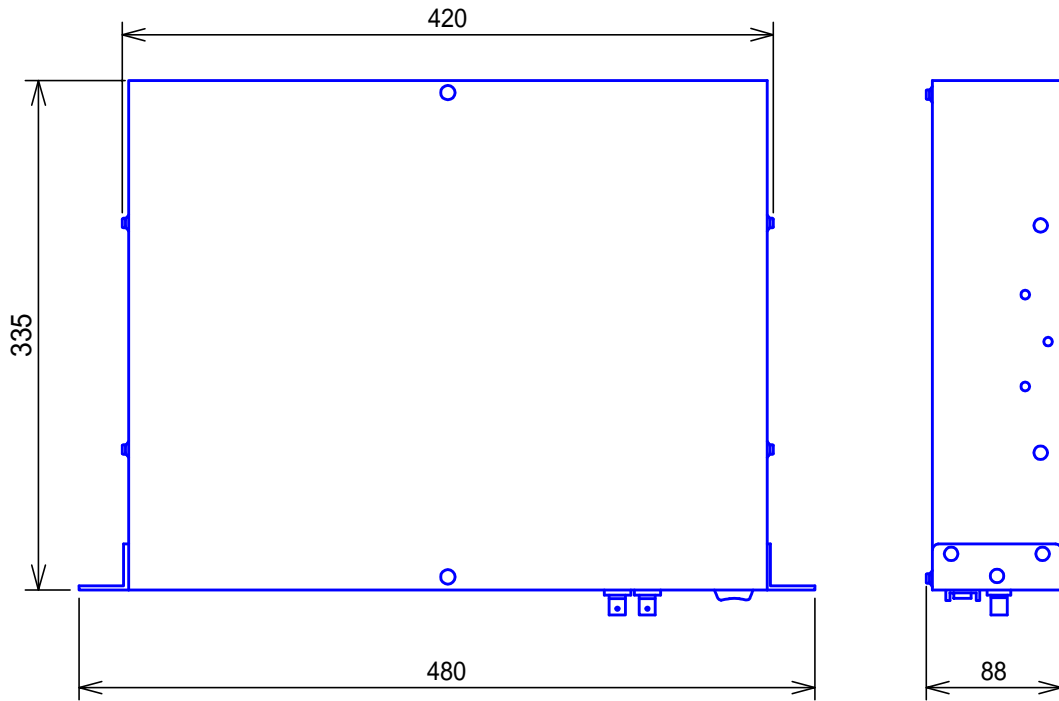
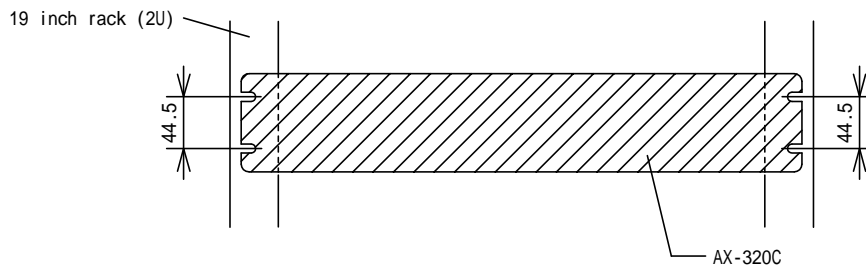


# PRODUCT DRAWING

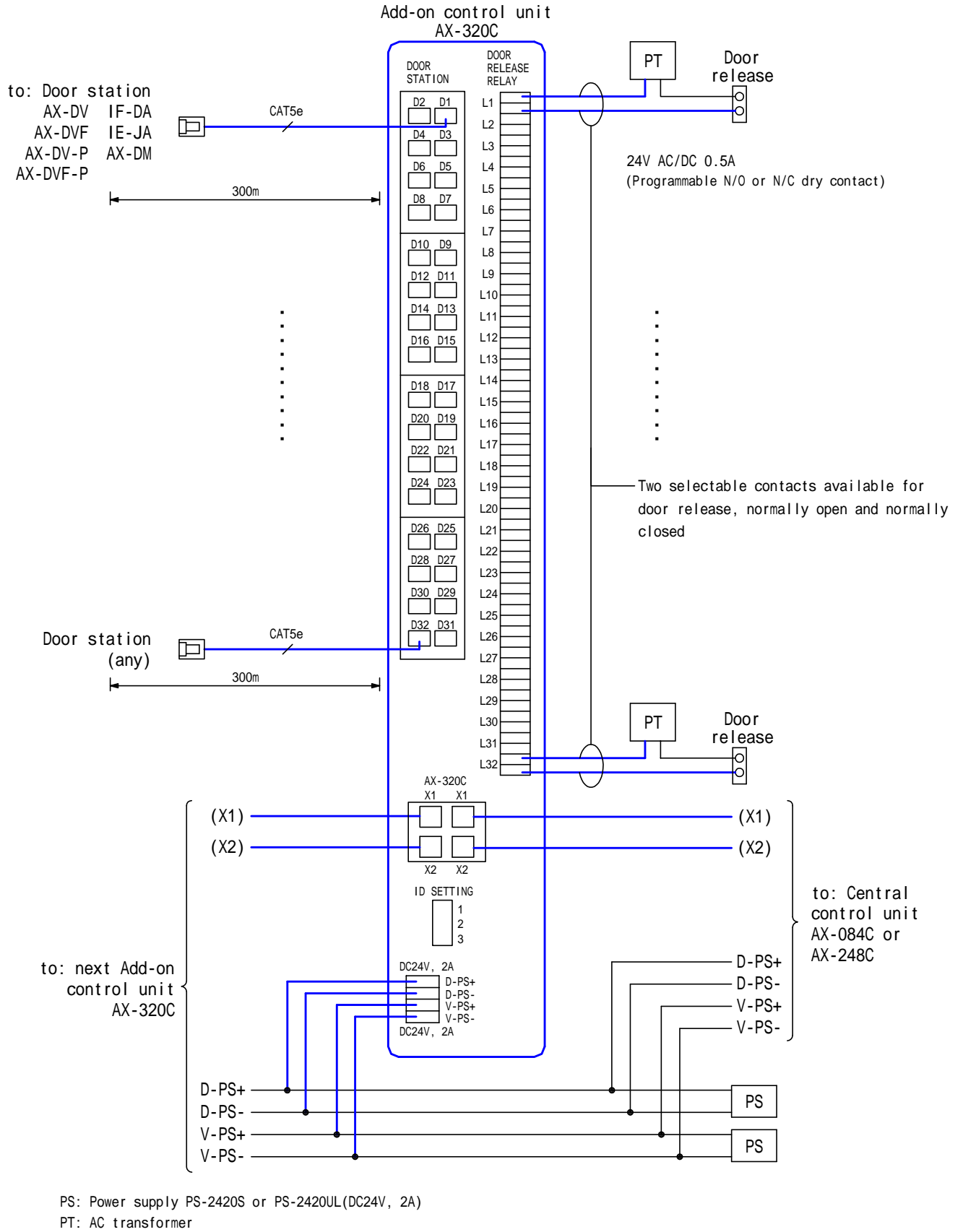


## MOUNTING



|  |                                     |             |                        |
|--|-------------------------------------|-------------|------------------------|
| DESCRIPTION<br><b>CENTRAL EXCHANGE UNIT (AX)</b> | FIG. NAME<br><b>PRODUCT DRAWING</b> | UNIT<br>mm  | DATE<br>12 April, 2006 |
| MODEL NO.<br><b>AX-320C</b>                      | FIG.NO.<br>41610301-1-3             | PAGE<br>1/3 | REVISION<br>1          |
|  |                                     |             | <b>AIPHONE</b>         |

# WIRING DIAGRAM



|  |                                    |             |                           |
|--|------------------------------------|-------------|---------------------------|
| DESCRIPTION<br><b>CENTRAL EXCHANGE UNIT (AX)</b> | FIG. NAME<br><b>WIRING DIAGRAM</b> | UNIT<br>mm  | DATE<br>27 November, 2007 |
| MODEL NO.<br><b>AX-320C</b>                      | FIG. NO.<br>41610301-2-3           | PAGE<br>2/3 | REVISION<br>2             |
|  |                                    |             | <b>AIPHONE</b>            |

## RESTRICTIONS

AX-320C shall be mounted on the rack (19-inch, U2), together with Central control unit (AX-084C or AX-248C) and next add-on unit(s).

AX-320C shall be located so that all the Master and Door stations be within max. 300m using CAT5e cable.

## FUNCTIONS

Provides door release contacts(32) corresponding to Door stations(1~32).

## SPECIFICATIONS

|                            |   |      |                  |                |
|----------------------------|---|------|------------------|----------------|
| Power source               | DC 24V, 2A x 2  |      |                  |                |
| Current consumption        | Max. 460mA (D-PS 180mA, V-PS 280mA)                         |      |                  |                |
| Station capacity           | Max. 3 Add-on units. Max. 32 Door stations per add-on unit. |      |                  |                |
| Mounting                   | Rack-mount (19-inch 2U rack) or wall mount.                 |      |                  |                |
| Ambient temperature        | 0 ~ +40   |      |                  |                |
| Weight                     | 4,700g(approx.)   |      |                  |                |
| Remarks                    | Used for: AX System   |      |                  |                |
| DESCRIPTION                | FIG. NAME   | UNIT | DATE             |                |
| CENTRAL EXCHANGE UNIT (AX) | SPEC./RESTR./FCN.   | mm   | 28 October, 2010 |                |
| MODEL NO.                  | FIG.NO.   | PAGE | REVISION         | <b>AIPHONE</b> |
| AX-320C                    | 41610301-3-3  | 3/3  | 2                |                |