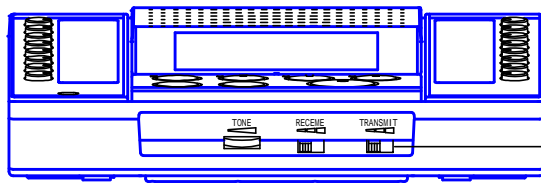
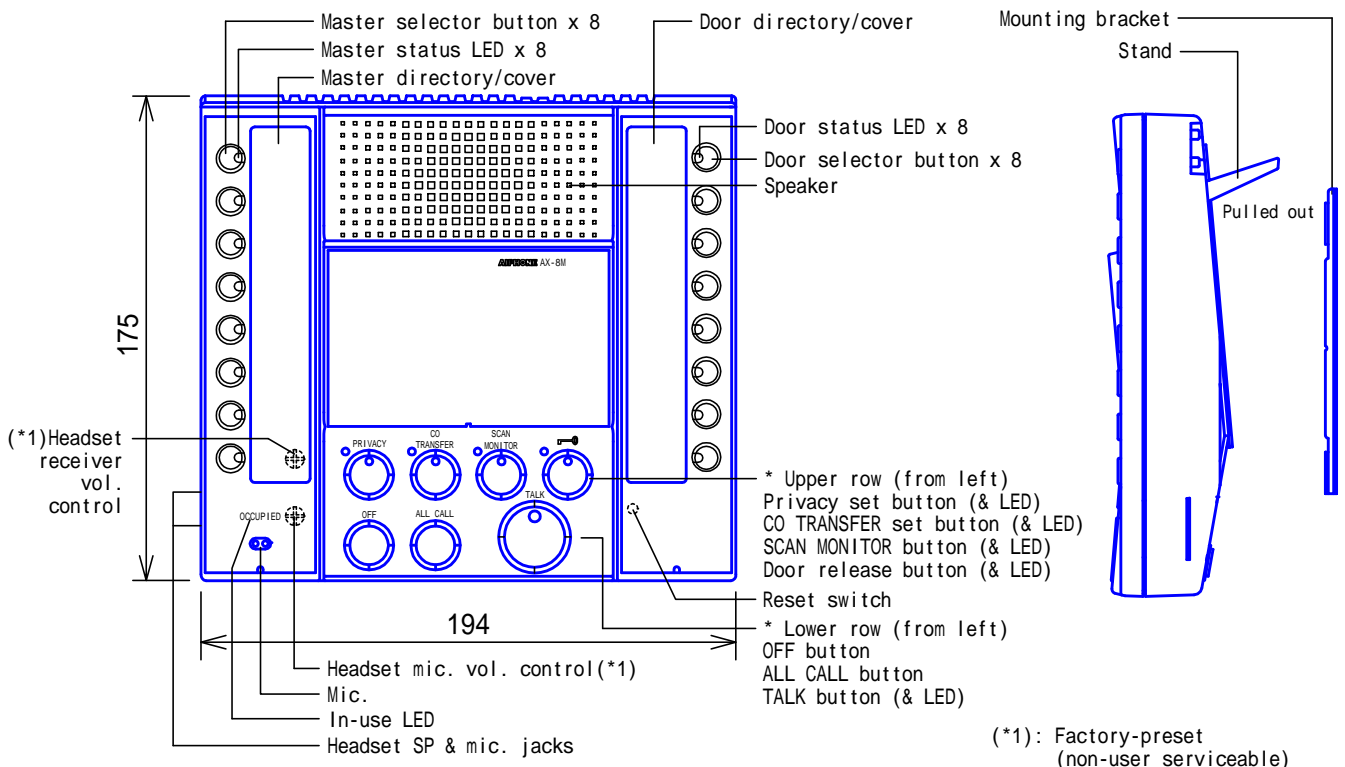


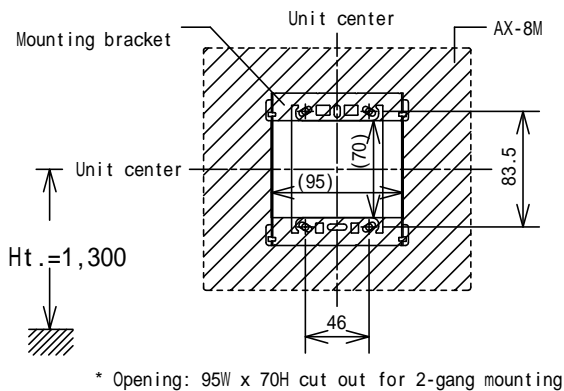
PRODUCT DRAWING



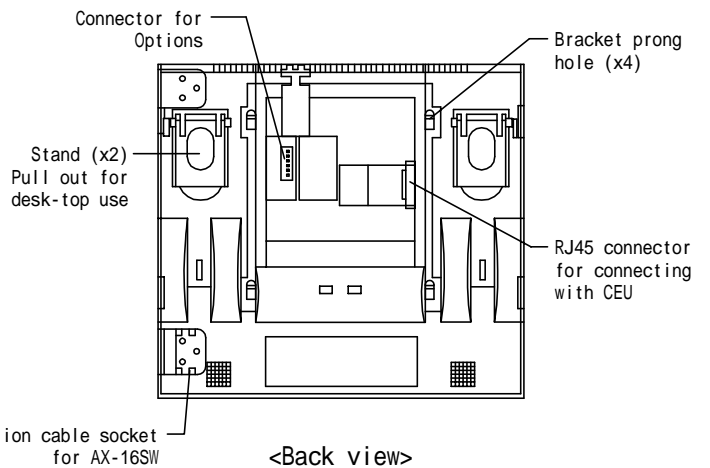
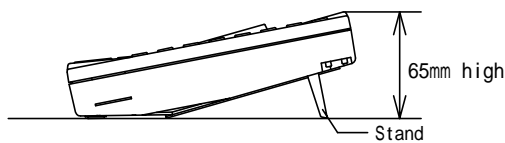
<Bottom view>

MOUNTING

• Wall-mounting



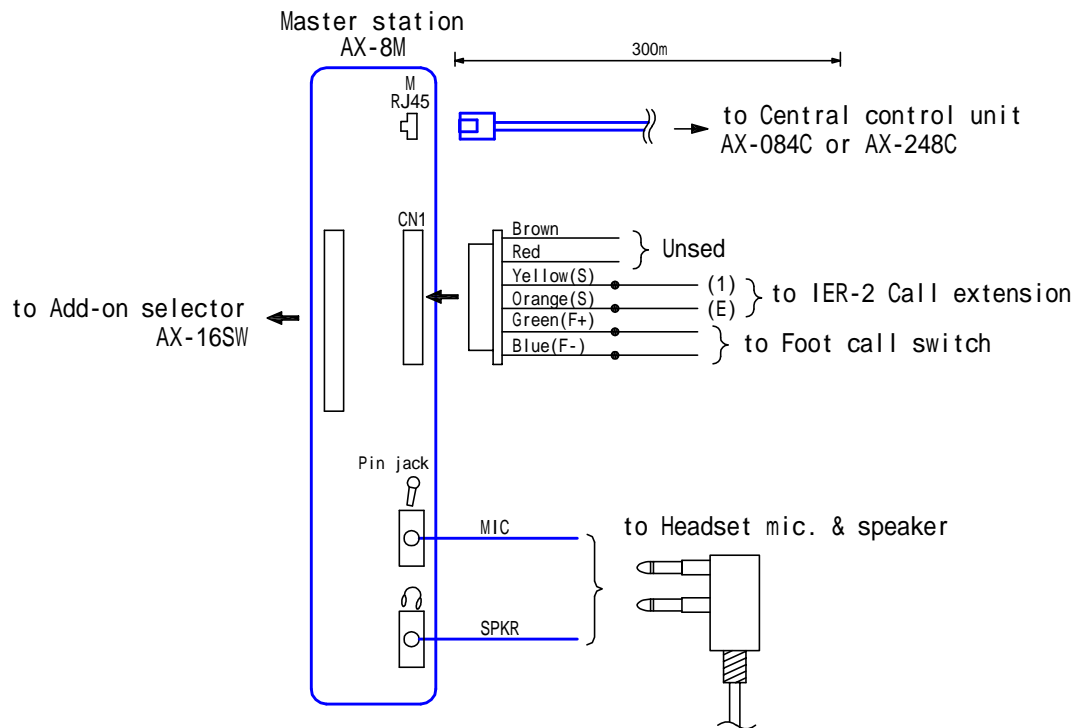
• Desk-top mounting



<Back view>

DESCRIPTION AUDIO MASTER STATION (AX)	FIG. NAME PRODUCT DRAWING	UNIT mm	DATE 29 January, 2007
MODEL NO. AX-8M	FIG.NO. 41568301-1-3	PAGE 1/3	REVISION 1
			AIPHONE

WIRING DIAGRAM



DESCRIPTION AUDIO MASTER STATION (AX)	FIG. NAME WIRING DIAGRAM	UNIT mm	DATE 29 January, 2007
MODEL NO. AX-8M	FIG.NO. 41568301-2-3	PAGE 2/3	REVISION 1
			AIPHONE

RESTRICTIONS

The programming for a Master station AX-8M shall be effected on the PC, which is connected to the Central exchange unit.

The following functions are to be programmed for all the Master stations, including AX-8M.

- a. CO transfer setting b. Door release timer c. Scan monitoring duration time

FUNCTIONS

Calling & communication	Door-to-Master Master-to-Master Door-to-phone via Master (CO TRANSFER) (For North America only)
All call	All call All call (Priority) with break-in
Monitoring (audio)	Monitoring a particular Door station
Scan monitoring	Monitoring through all Door stations in sequence
Having door strike activated at a communicating Door station	

SETTING

Adjusting 1. Call 'TONE' volume 2. 'RECEIVE' volume, and 3. 'TRANSMIT' volume
Setting for privacy

In standby; To set, press PRIVACY button. LED is lit.

To release, press PRIVACY button. LED goes out.

Only when called by a Master, mic. is muted. So, to reply, hold down "TALK" more than 1 sec. and enter Press-to-talk communication.

In other cases, use PRIVACY button for temporary mic. cutout.

Setting for CO TRANSFER

SPECIFICATIONS

Power source	24V DC. Supplied from Central exchange unit		
Call tone	Tremolo tone PrrPrr & LED blinking (until call timeout)		
Communication	Open voice hands-free communication (auto-voice actuation or PTT).		
Calling capacity	120 calls		
Mounting	Desk-top use, or wall-mounting		
Electrical box	2-gang box		
Housing	Front panel: ABS resin		
Unit color	Black (N1 Munsell Approximation)		
Weight	450g(approx.)		
Remarks	Used for AX System		
DESCRIPTION AUDIO MASTER STATION (AX)	FIG. NAME SPEC./RESTR./FCN./SETTING	UNIT mm	DATE 29 January, 2007
MODEL NO. AX-8M	FIG.NO. 41568301-3-3	PAGE 3/3	REVISION 1

AIPHONE