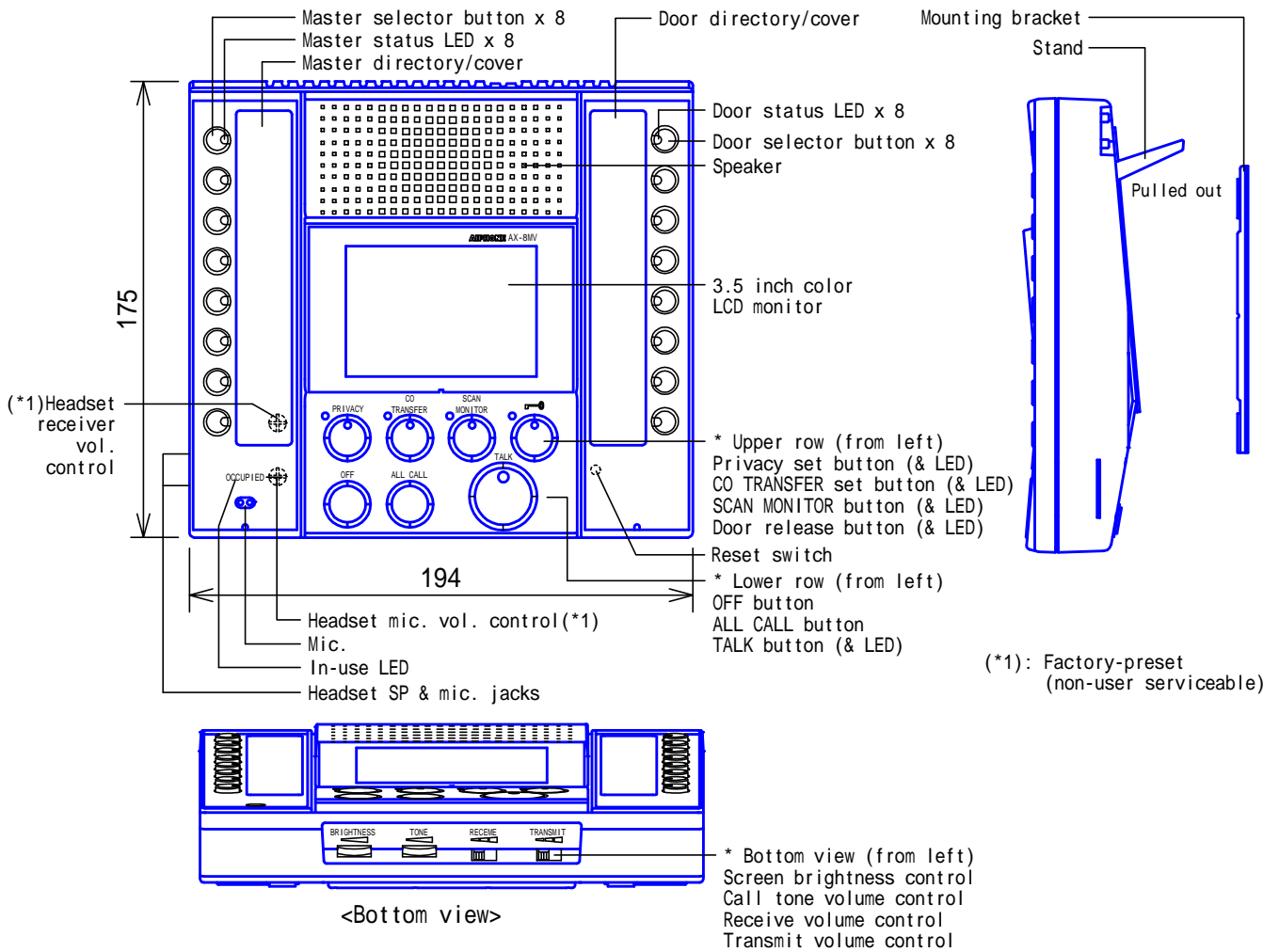
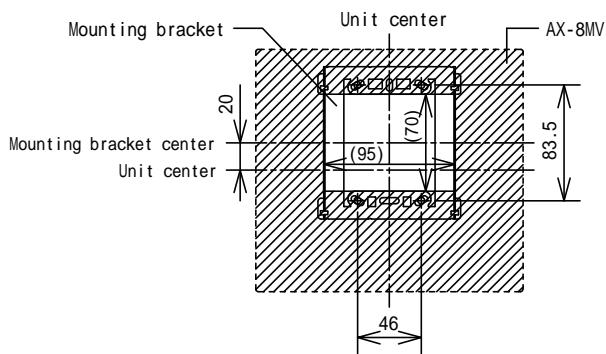


# PRODUCT DRAWING



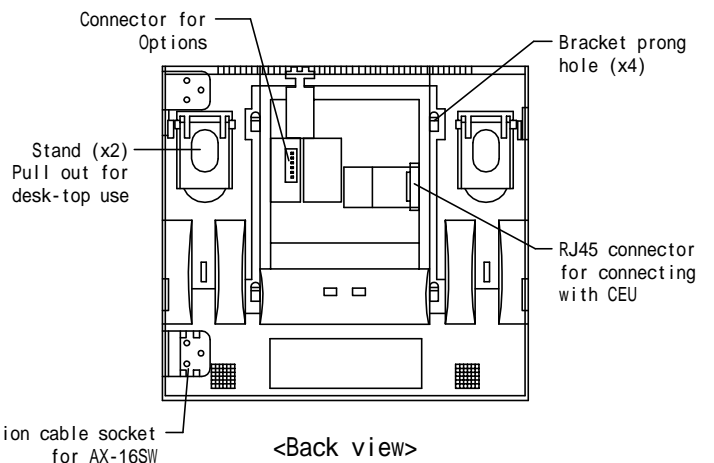
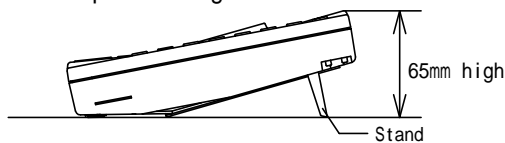
## MOUNTING

### • Wall-mounting



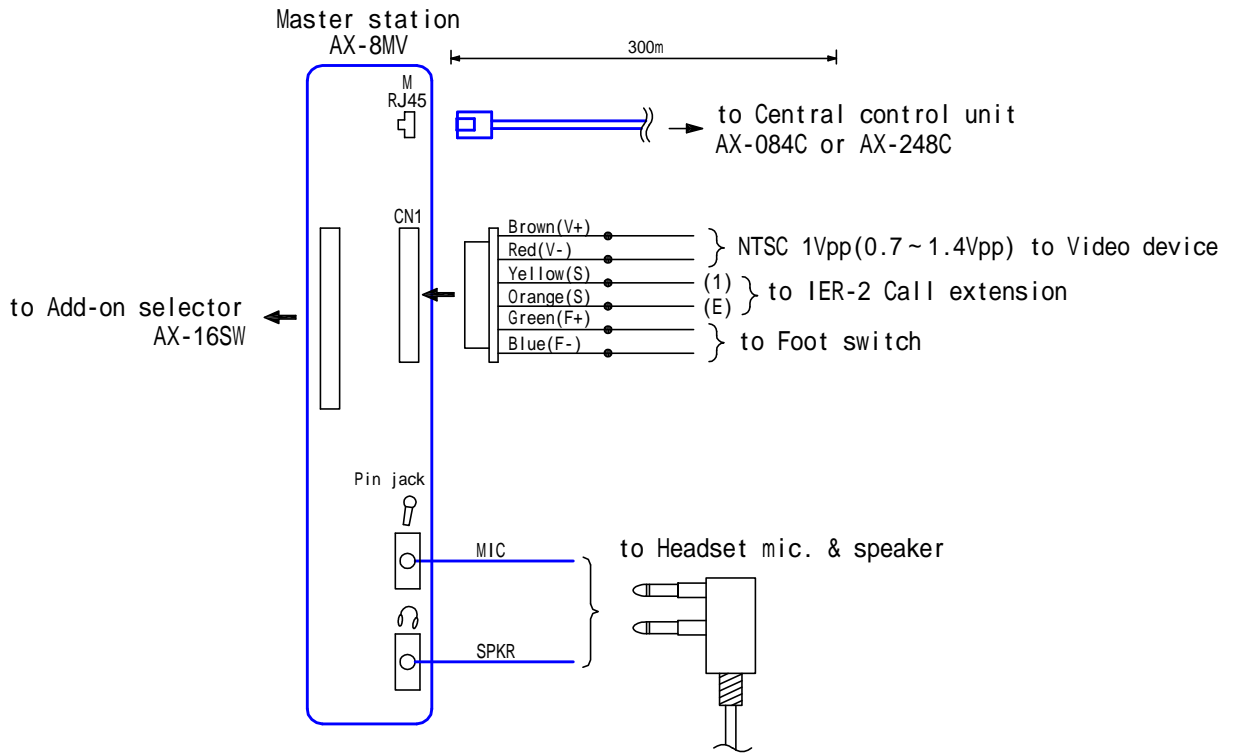
\* Opening: 95W x 70H cut out for 2-gang mounting

### • Desk-top mounting



DESCRIPTION COLOR MONITOR MASTER STATION (AX)	FIG. NAME PRODUCT DRAWING	UNIT mm	DATE 29 January, 2007
MODEL NO. AX-8MV	FIG.NO. 41580301-1-3	PAGE 1/3	REVISION 2
			<b>AIPHONE</b>

# WIRING DIAGRAM



DESCRIPTION COLOR MONITOR MASTER STATION (AX)	FIG. NAME WIRING DIAGRAM	UNIT mm	DATE 29 January, 2007
MODEL NO. AX-8MV	FIG.NO. 41580301-2-3	PAGE 2/3	REVISION 1
			<b>AIPHONE</b>

## RESTRICTIONS

The programming for a Master station AX-8MV shall be effected on the PC connected to the Central exchange unit.

The following items are to be programmed for the Master station AX-8MV.

- a. CO transfer setting    b. Door release timer    c. Scan monitoring duration time

## FUNCTIONS

Calling & communication	Door-to-Master Master-to-Master Door-to-Cellular phone via Master (CO TRANSFER) (For North America only)
All call	All call All call (Priority) with break-in
Monitoring (audio, video)	Monitoring a particular Door station
Scan monitoring	Monitoring through all Door stations in sequence
Having door strike activated at a communicating Door station	

## SETTING

Adjusting 1. 'BRIGHTNESS', 2. Call 'TONE' volume, 3. 'RECEIVE' volume, and 4. 'TRANSMIT' volume

Setting for privacy

In standby; To set, press PRIVACY button. LED is lit.

To release, press PRIVACY button. LED goes out.

Only when called by a Master, mic. is muted. So, to reply, hold down "TALK" more than 1 sec. and enter Press-to-talk communication.

In other cases, use PRIVACY button for temporary mic. mute.

Setting for CO TRANSFER

## SPECIFICATIONS

Power source	24V DC. Supplied from Central exchange unit		
Call tone	Tremolo tone PrrPrr & LED blinking (until call timeout)		
Communication	Open voice hands-free communication (auto-voice actuation or PTT).		
Calling capacity	120 calls		
Mounting	Desk-top use or wall-mounting		
Electrical box	2-gang box		
Housing	Front panel: ABS resin		
Unit color	Black (N1 Munsell Approximation)		
Weight	550g(approx.)		
Remarks	Used for AX System		

DESCRIPTION	FIG. NAME	UNIT	DATE
COLOR MONITOR MASTER STATION (AX)	SPEC./RESTR./FCN./SETTING	mm	29 January, 2007
MODEL NO.	FIG.NO.	PAGE	REVISION
AX-8MV	41580301-3-3	3/3	1

**AIPHONE**