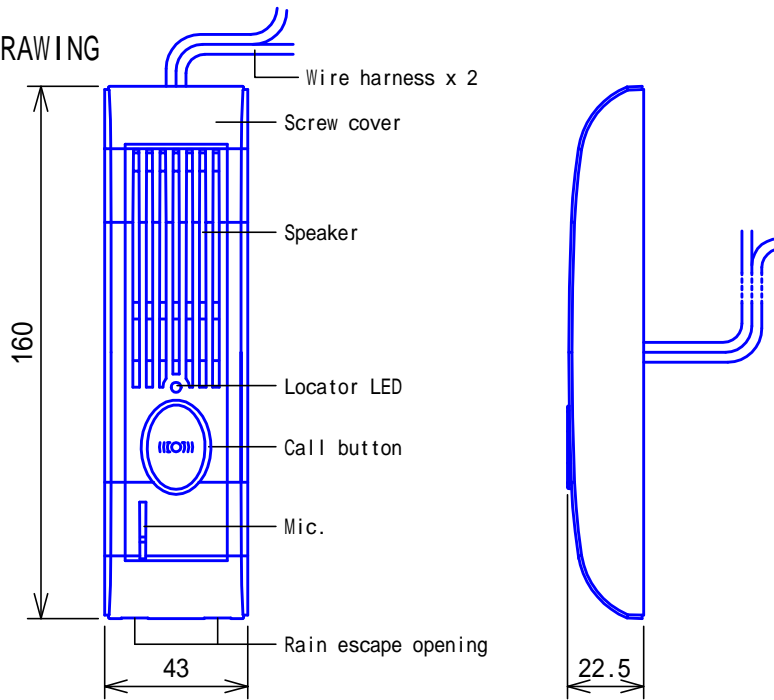
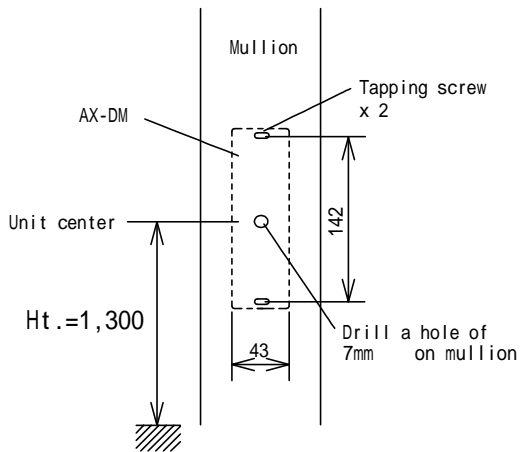


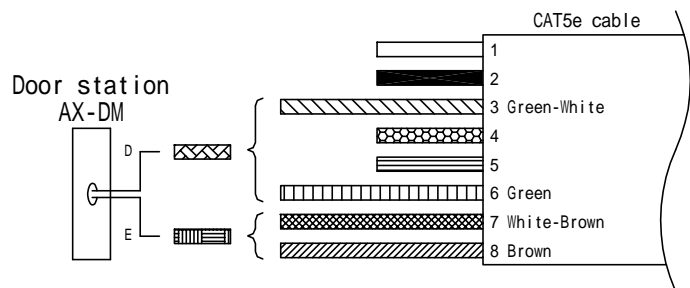
PRODUCT DRAWING



MOUNTING



WIRING DIAGRAM



RESTRICTIONS

Do not apply caulking seals around the door station, as it is provided with rain escape openings on bottom. The connecting cable shall not run bare but concealed inside the mullion.

FUNCTIONS

Calling & communication with Master station. It can ring multiple Master stations (programmable).

SPECIFICATIONS

Power source	Supplied from Central exchange unit
Communication	Open voice hands-free communication (auto voice actuation or PTT) controlled by Master station
Mounting	Surface mount
Electrical box	Not used (Mounts on sash or mullion)
Housing	Fire-retardant resin
Unit color	Sterling gray
Weight	100g(approx.)
Remarks	Weather-resistant type (Complies with JIS C0920 Protection Class 3 equivalent). Compatible with IE/IF door station (IF-DA, etc.) Provided with AWG20 wire harness, 500mm long.

DESCRIPTION MULLION DOOR STATION (AX)	FIG. NAME PRODUCT/SPEC./WIRING/RESTR./FCN.	UNIT mm	DATE 12 April, 2006
MODEL NO. AX-DM	FIG.NO. 41513-1-1	PAGE 1/1	REVISION 1

AIPHONE