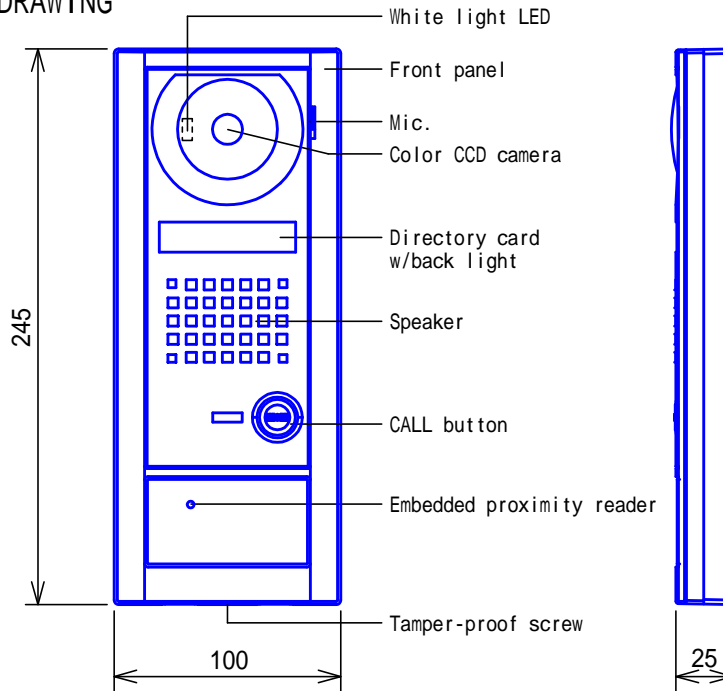
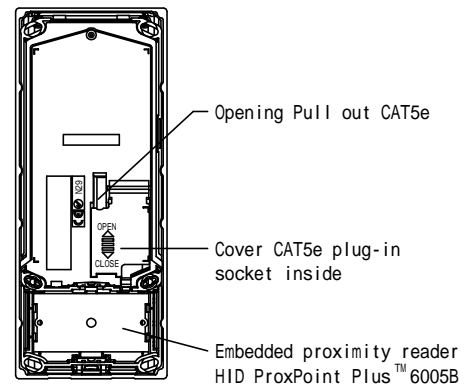
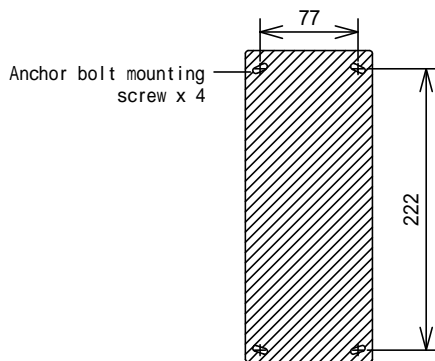


PRODUCT DRAWING



MOUNTING

<Surface wall mounting>



<Back view>

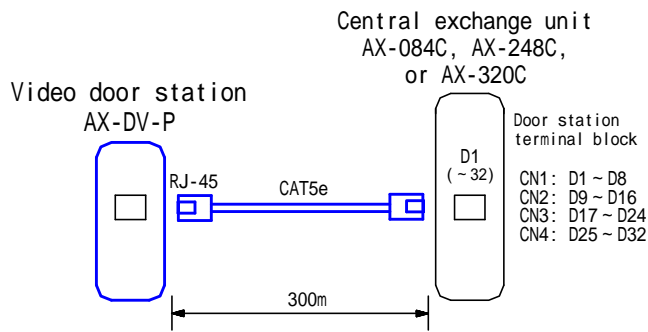
SPECIFICATIONS

|                      |  |
|----------------------|--|
| Power source         | Supplied from Central exchange unit  |
| Communication        | Open voice hands-free communication (auto-voice actuated or PTT), controlled by Master station |
| Camera               | 1/4" color CCD camera  |
| Pixels               | 250,000 Pixels   |
| Minimum illumination | 5 Lux  |
| Ambient temperature  | -10 ~ +60  |
| Mounting             | Surface wall mount   |
| Housing              | Front panel: Aluminum die casting. Main unit: Resins.  |
| Unit color           | Solid silver (metallic gray)   |
| Weight               | 450g(approx.)  |
| Remarks              | Weather-resistant (JIS C 0920 Protection Class 3 equivalent)                                   |

|  |                                     |             |                        |
|--|-------------------------------------|-------------|------------------------|
| DESCRIPTION<br>COLOR VIDEO DOOR STATION (AX) | FIG. NAME<br>PRODUCT/SPECIFICATIONS | UNIT<br>mm  | DATE<br>10 April, 2006 |
| MODEL NO.<br>AX-DV-P                         | FIG.NO.<br>41546-1-2                | PAGE<br>1/2 | REVISION<br>1          |

**AIPHONE**

## WIRING DIAGRAM

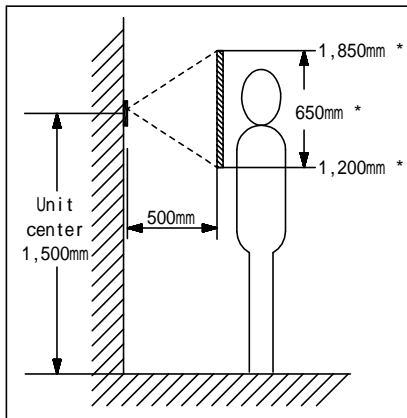


| Suffix | Symbol | Function                 | RJ-45           | AX-DV-P |
|--------|--------|--------------------------|-----------------|---------|
| CN1    | V1     | Camera equilibrium video | 4: blue         | V1      |
|        | V2     | Camera equilibrium video | 5: white/blue   | V2      |
| E      | E      | Doorphone -              | 6: green        | E       |
|        | E      | Doorphone -              | 3: white green  | E       |
| VP1    | VP1    | Camera power supply +    | 2: orange       | VP1     |
|        | VP2    | Camera power supply -    | 1: white orange | VP2     |
| D      | D      | Doorphone +              | 8: brown        | D       |
|        | D      | Doorphone +              | 7: white brown  | D       |

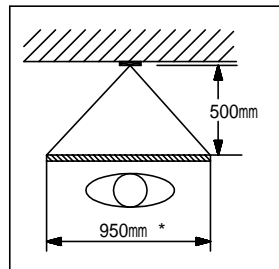
## IMAGE VIEW AREA & MOUNTING HEIGHT

### Vertical

Camera angle straight forward position



### Horizontal



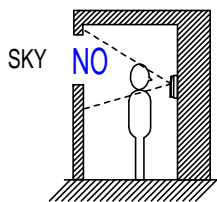
\* The figures are approximate.

## RESTRICTIONS

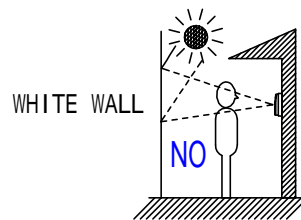
Do not have rain escape openings on bottom covered with caulking seals.

AX-DV-P door station is exclusively used for AX System.

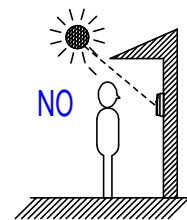
Avoid installing AX-DV-P door station in the following locations;



At the entrance where background is sky in upper floors of building, etc.



The background of the standing caller's is white wall.



Where the standing location is strongly sunlit.

## FUNCTIONS

Initiating a call to and entering communication with Master station

It can ring multiple Master stations (programmable)

Directory card is backlit constantly

|  |                                       |             |                        |
|--|---------------------------------------|-------------|------------------------|
| DESCRIPTION<br>COLOR VIDEO DOOR STATION (AX) | FIG. NAME<br>WIRING/IMAGE/RESTR./FCN. | UNIT<br>mm  | DATE<br>12 April, 2006 |
| MODEL NO.<br>AX-DV-P                         | FIG.NO.<br>41546-2-2                  | PAGE<br>2/2 | REVISION<br>1          |
|  |                                       |             | <b>AIPHONE</b>         |