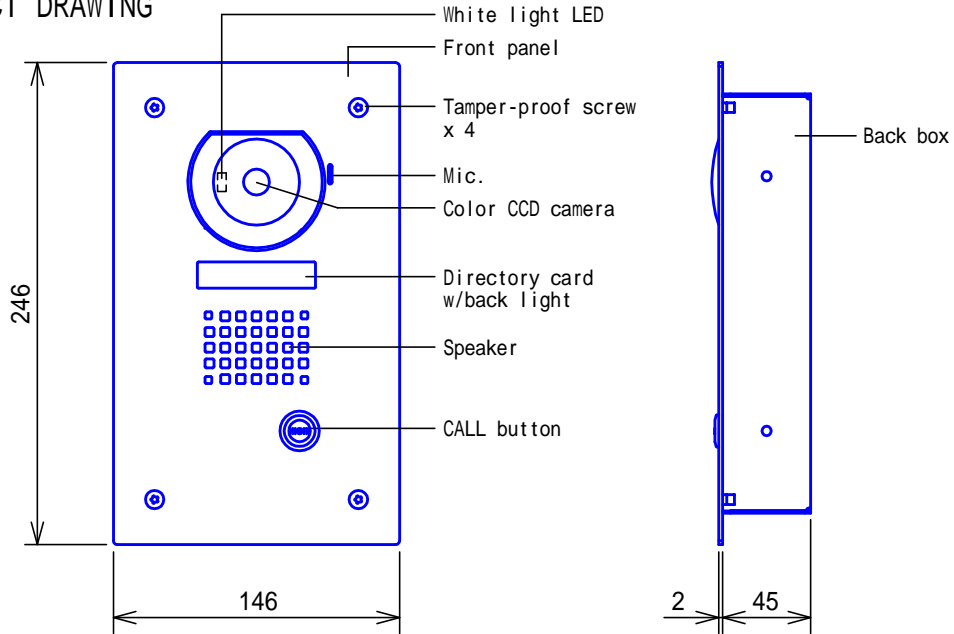
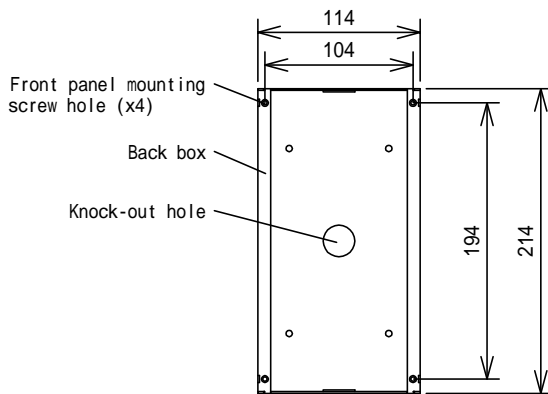


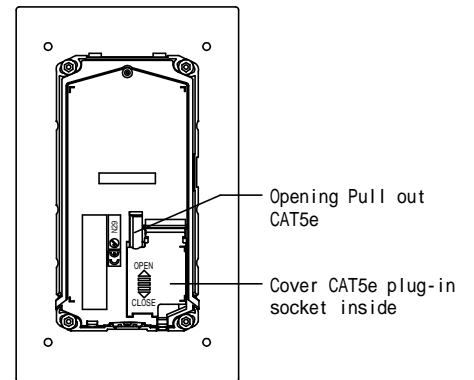
PRODUCT DRAWING



MOUNTING



Keep a space of 3mm around the Back box in the wall.



<Back view>

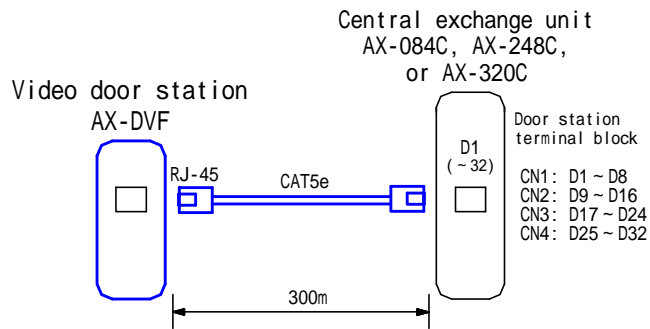
SPECIFICATIONS

Power source	24V DC. Supplied from Central exchange unit
Communication	Open voice hands-free communication (auto-voice actuated or PTT), controlled by Master station
Camera	1/4" color CCD camera
Pixels	250,000 Pixels
Minimum illumination	5 Lux
Ambient temperature	-10 ~ +60
Mounting	Flush-mount
Electrical box	Not used (Mounts on the supplied Back box.)
Housing	Front panel: Stainless steel. Main unit: Resins. Camera cover: Polycarbonate. Back box: Steel plate.
Unit color	Stainless steel, brush-finished
Weight	660g(approx.)
Remarks	Weather-resistant (JIS C 0920 Protection Class 3 equivalent)

DESCRIPTION	FIG. NAME	UNIT	DATE
COLOR VIDEO DOOR STATION (AX)	PRODUCT/SPECIFICATIONS	mm	12 April, 2006
MODEL NO.	FIG.NO.	PAGE	REVISION
AX-DVF	41535-1-2	1/2	1

AIPHONE

WIRING DIAGRAM

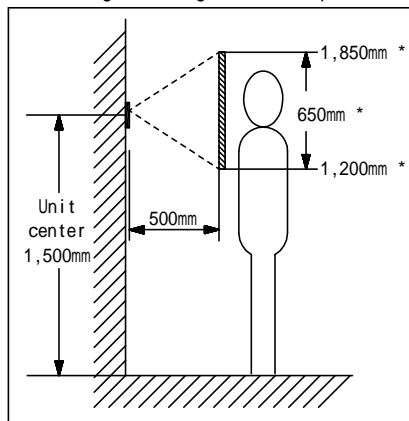


Suffix	Symbol	Function	RJ-45	AX-DVF
CN1	V1	Camera equilibrium video	4: blue	V1
	V2	Camera equilibrium video	5: white/blue	V2
	E	Doorphone -	6: green	E
	E	Doorphone -	3: white green	E
	VP1	Camera power supply +	2: orange	VP1
	VP2	Camera power supply -	1: white orange	VP2
	D	Doorphone +	8: brown	D
	D	Doorphone +	7: white brown	D

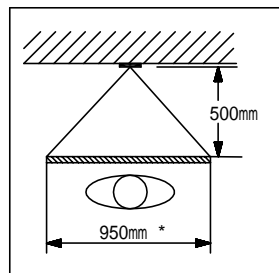
IMAGE VIEW AREA & MOUNTING HEIGHT

Vertical

Camera angle straight forward position



Horizontal



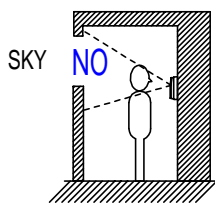
* The figures are approximate.

RESTRICTIONS

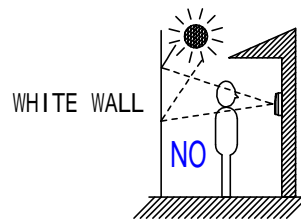
Do not have rain escape openings on bottom covered with caulking seals.

AX-DVF door station is exclusively used with AX System.

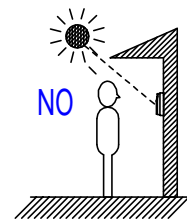
Avoid installing AX-DVF door station in the following locations;



At the entrance where background is sky in upper floors of building, etc.



The background of the standing caller's is white wall.



Where the standing location is strongly sunlit.

FUNCTIONS

Initiating a call to and entering communication with Master station

It can ring multiple Master stations (programmable)

Directory card is backlit constantly

DESCRIPTION	FIG. NAME	UNIT	DATE
COLOR VIDEO DOOR STATION (AX)	WIRING/IMAGE/RESTR./FCN.	mm	12 April, 2006
MODEL NO.	FIG.NO.	PAGE	REVISION
AX-DVF	41535-2-2	2/2	1

AIPHONE