



the emerging preference

PA310 / PA320

mixer and amplifier series

10 W / 20 W 4 OHM MINI AMPLIFIERS



Both models are upgraded version of the popular PA305, with higher power rating and better sound reproduction.

They are used to amplify BGM signal to a speaker of 4 or 8 Ohm rating from a line source, such as from TV output to a bathroom speaker in a hotel room. Amperes VC7805 volume controls and VP7810 BGM - Speaker patch panel can be installed if required to allow emergency paging to be announced at the speaker.

The application is not limited to the above, and you shall find this little device truly versatile.

VARIANTS

- PA310 - 10W 4 OHM
- PA320 - 20W 4 OHM

NEW Improved to replace PA305



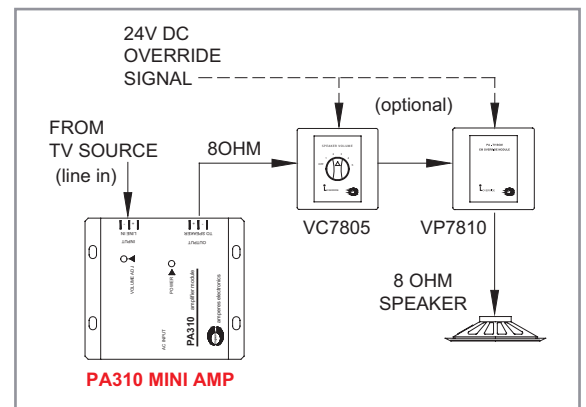
Specifications

	PA310 / PA320
Input voltage	230 / 240 V ac
Power rating	10 W / 20 W 4 Ohm
Current consumption	0.06A / 0.14A 240V ac
Input signal	Mono ; unbalanced detachable connector
Input sensitivity	40 mV
Max input signal	1.2 V
Input impedance	150 K Ohm
Frequency response	40 - 18 K Hz (+/- 3 dB)
Controls	Input volume
Indications	Power LED
Dimensions (WxHxD)	103 x 45 x 83 / 103 x 54 x 99 mm
Weight (kg)	400 g / 650 g

Features

- Available in 10 or 20W 4 Ohm rating
- Adjustable volume control for volume preset
- Compact size for easy installations

Connection Diagram



PA360

60W 100V REMOTE LINE AMPLIFIER

NEW
Preliminary Info

If a decentralised PA system is required, Where amplifiers are located away from the rack, a simple hook on power pack shall be a logical choice. As such, PA360 shall be able to drive speakers with a total load of 120W in the localised area.

The input shall be balanced signal sent from the main console and looping connection is available to link to the next amplifiers. PA360 shall be able to accept 100V line tapping too, via a step down module TS6100, which converts 100V line input to balanced line output.



Specifications

Input voltage	230 / 240 V ac
Power rating	60W 100V line
Power consumption	1.3A 240V ac
Input signal	Line Balanced XLR jack
Input impedance	10 K Ohm
Dimensions (WxHxD)	285 x 290 x 75 mm
Weight (kg)	7.5 kg