



EP1200 is an essential paging tool for firemen during emergency, or when direct paging to all zone is required at the equipment rack. It shall allow direct access to the PA system which would bypass incoming BGM or other normal paging in progress.

Its built in siren tone generator can be triggered manually via the front panel switch or via external fire sensor or fire switch by providing a close contact to the connector at the back of the unit.

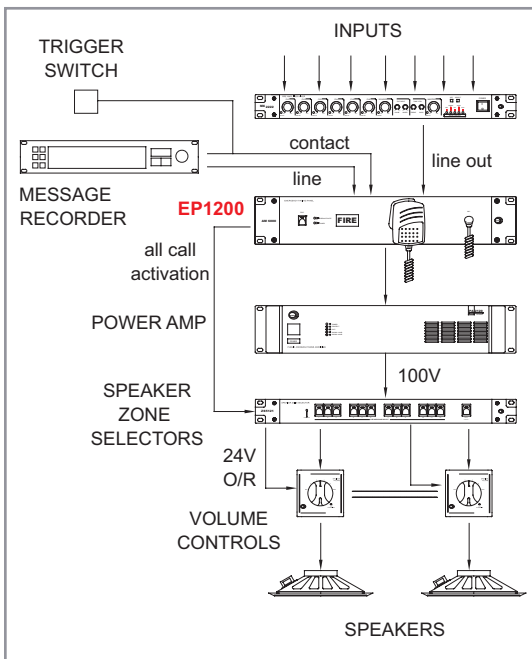
ALL CALL can be established by connecting the unit to the speaker zone selector. Pressing the front paging microphone shall activate the internal dry contact, which can be used to activate 24V emergency overriding signal, thus bypassing the attenuation of the volume controllers.

Features

- Built in siren tone generator (constant signal)
- Visual FIRE indicator
- External voice message activation
- Dual mode siren tone activation
- Dry contact when paging mic is activated
- Priority paging via front panel microphone, bypassing all other audio sources
- Output level controls for siren and message / paging microphone



Unit Connections



packing information

Qty per carton : 1 unit
 W x H x D : 540 x 140 x 270 mm
 Weight : 3.15 kg

Specifications

Power requirement	24V DC
Power consumption	3.5 W

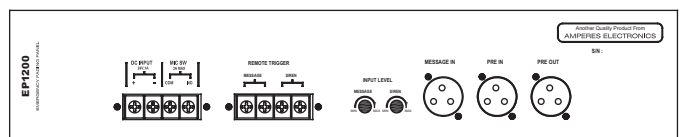
MICROPHONE

Mic sensitivity	-72 dB Omni directional
Impedance	600 Ohm
Frequency response	300 ~ 8 KHz

SIREN

Siren frequency	Continuous at 8 KHz
Siren duration	Continuous when activated
Siren activation	Front test switch / remote contact

Input channel	Pre-amplifier output, message recorder
Output level	Balanced line out (1.2 V)
Priority sequence	Paging mic - siren - message - pre amp in
Indicators	Front FIRE work with backlight illumination
Dimensions (WxHxD)	482 x 88 x 80 mm
Weight (kg)	2.6 kg



rear view