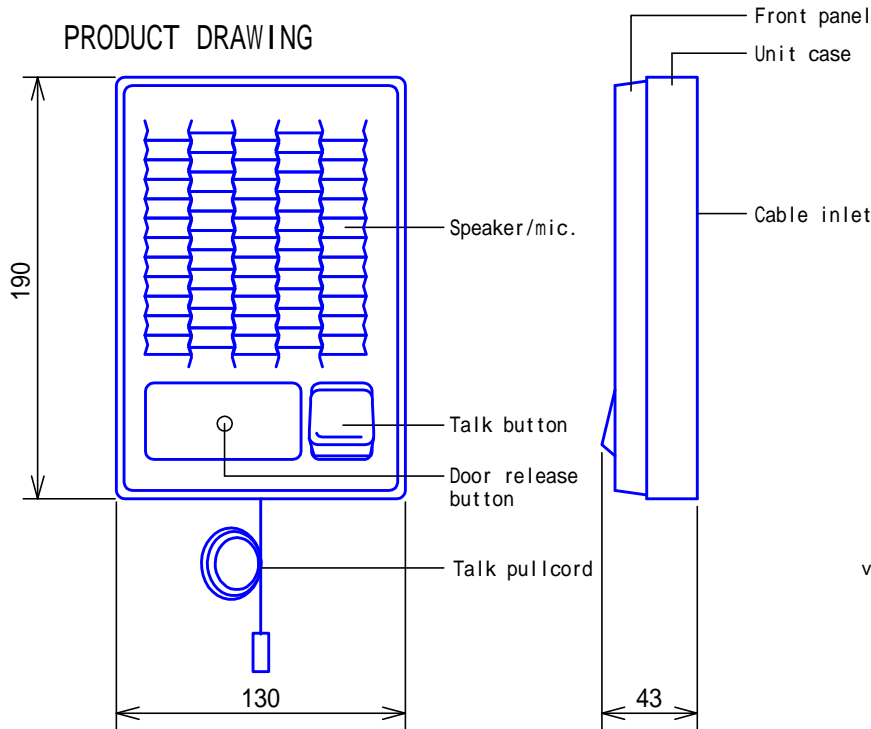
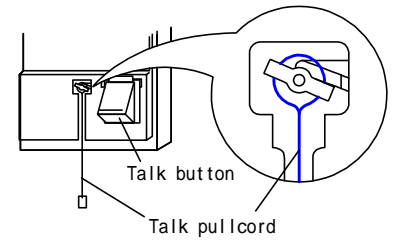


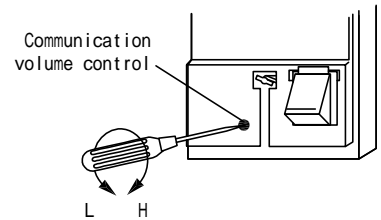
PRODUCT DRAWING



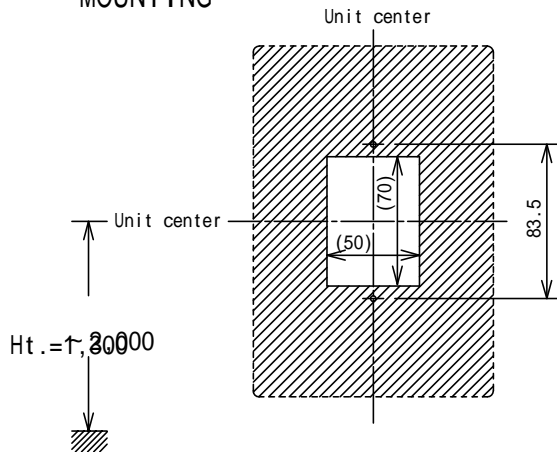
ATTACH PULLCORD



ADJUSTING VOICE VOLUME

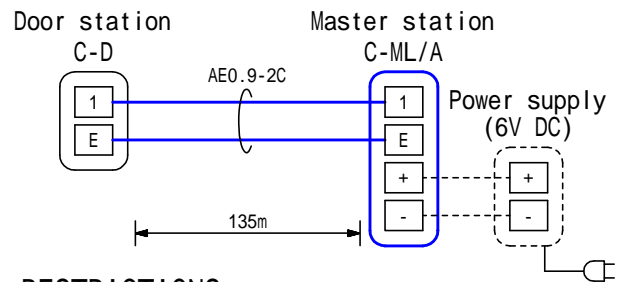


MOUNTING



* Unit case; Single-gang 83.5mm guided.
Push on bottom of front panel and slide it off upward. Do not forcibly open front panel.

WIRING DIAGRAM



RESTRICTIONS

Initiating a call to sub station is not available.
Do not mixedly use old and new batteries.

FUNCTIONS

Replying to a door station call by pressing Talk button and entering communication, Press-to-talk, Release-to-release.

SPECIFICATIONS

Power source	6V DC. Use four SUM-2 batteries.
Current consumption	85mA (max.)
Type of communication	Open voice Press-to-talk communication
Output	100mW
Calling	Electronic chime
Wiring	2 wires (non-polarized)
Battery life	One year(approx.) Under use of 5 sec. calling, 20 sec. communication, 10 times a day
Weight	390g(approx.)
Remarks	Talk pullcord is available (when Master station is mounted at higher location).

DESCRIPTION	FIG. NAME	UNIT	DATE
MASTER STATION (C-123L/A set)	PRODUCT/SPEC./WIRING/RESTR./FCN.	mm	5 November, 2003
MODEL NO.	FIG.NO.	PAGE	REVISION
C-ML/A	57181311-1-1	1/1	1

AIPHONE