

Introduction

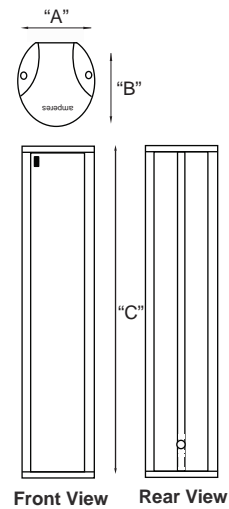
Built ruggedly with aluminum die cast housing and available in 3 power rating of 20 / 40 and 60W 100V line with half or full power tapping.

Suitable for classrooms, hyper markets, mosques, ballroom, factories, passenger terminals, exhibition areas etc.

Technical Specification

	CL904	CL908	CL912
Power rating	20W 100V	40W 100V	60W 100V
Line Voltage	70 / 100V		
Transformer Tapping (100V)	20W / 10W	40W / 20W	60W / 30W
Primary Impedance (Ohm)	500Ω / 1k Ω	250Ω / 500Ω	166Ω / 330Ω
Sensitivity (1m / 1w)	87 ± 3dB	88 ± 3dB	89 ± 3dB
Frequency Response	230 - 16 KHz		
Dimension (mm)	350 x 79 x 89	600 x 79 x 89	800 x 79 x 89
Material	Aluminum		
Weight with Bracket (kg)	1.7kg	2.7kg	3.6kg
Speaker Unit	4 x 2"	8 x 2"	12 x 2"

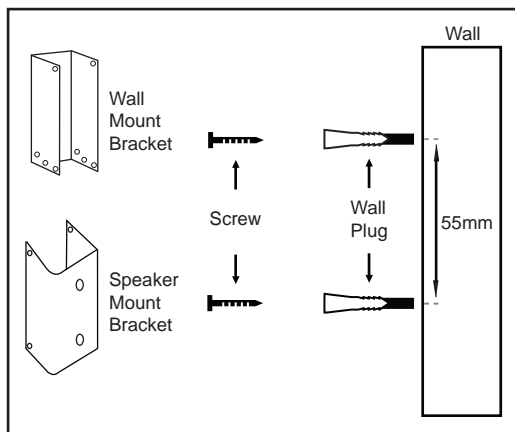
Physical Dimensions



	CL904	CL908	CL912
"A"	79 mm		
"B"	89 mm		
"C"	350 mm	600 mm	800 mm

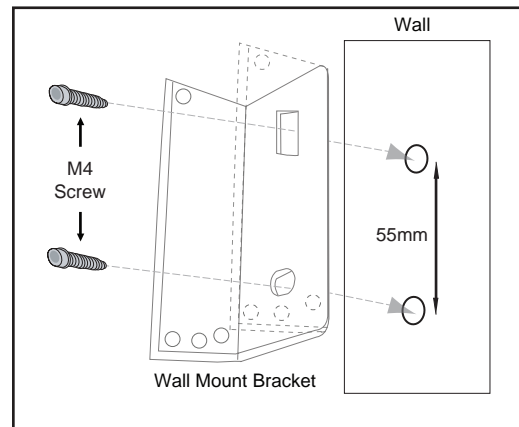
Guide to Installation

1 : Contents

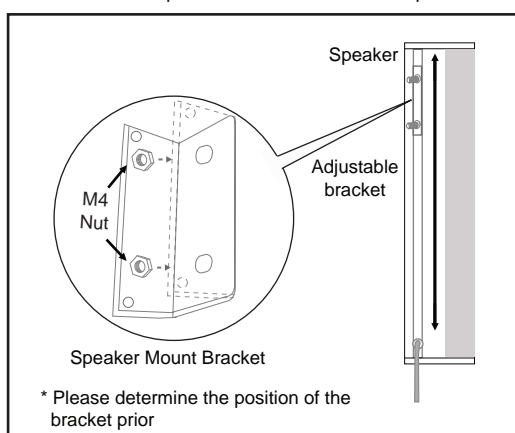


Recommended size for wall screw : **Diameter** **Length**
 1) Screw M4 30mm
 2) Wall Plug 6mm 30mm

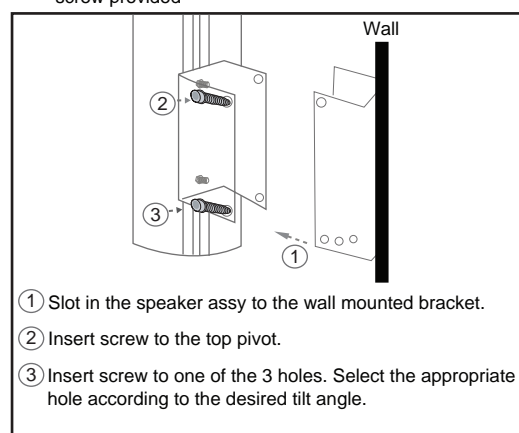
2 : Install wall mount bracket to wall



3: Assemble speaker bracket to the rear of speaker

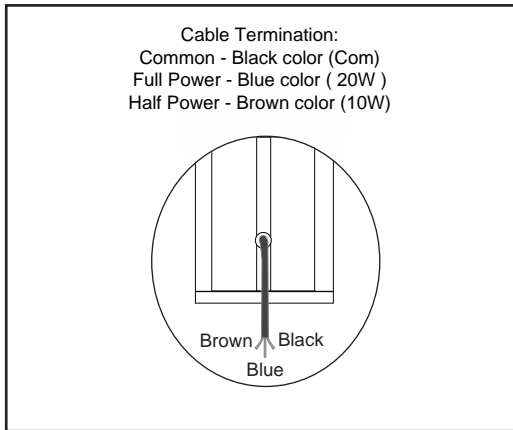


4 : Install the speaker to bracket on the wall, with the long screw provided

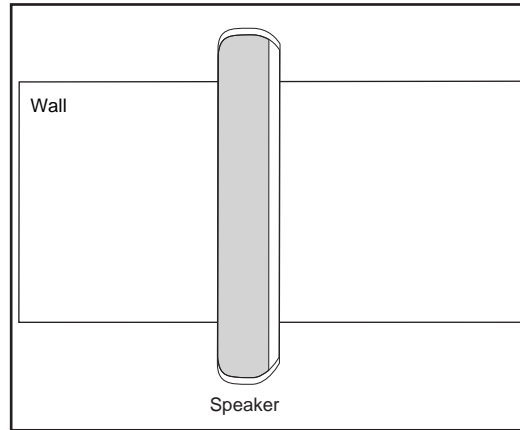


Guide to Installation (Con't)

5: Cable Termination

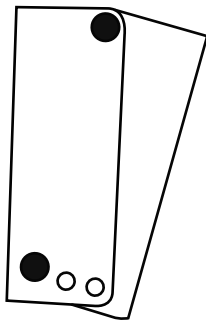


6 : Installation Completed. If the tilt angle adjustment required, refer to step 4. A guideline of the bracket tilt angle as show below

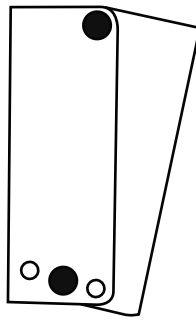


Bracket Angle & Speaker Adjustable

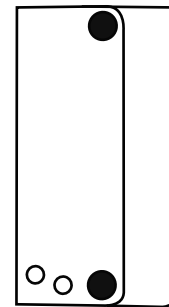
The bracket of speaker have 3 angle are shown in the picture below:



ANGLE 1: 20°



ANGLE 2: 10°



ANGLE 3: 0°

BRACKET TILT

SPEAKER HEIGHT ADJUSTMENT

Overall speaker tilt angle varies between the different models of CL900 Series.

The lower the position of the speaker mounting bracket, the angle of overall speaker would be higher and vice versa.

