

TWO-WIRE ELECTRIC LOCK DOOR PHONE DA-1AG

Kit box contains;

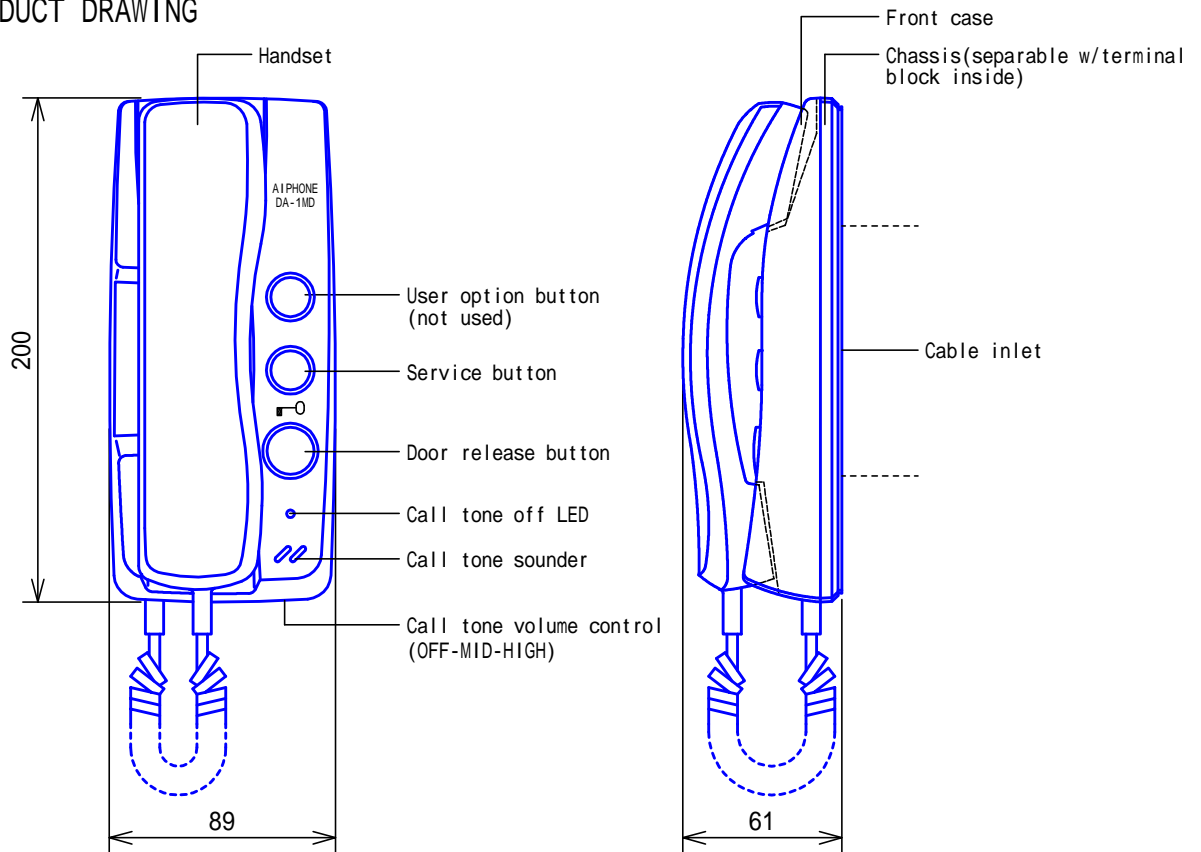
DESCRIPTION	MODEL NO.	UNIT
Master station	DA-1MD	1 unit
Door station	(Gray panel door station)	1 unit

* Add an appropriate power supply.

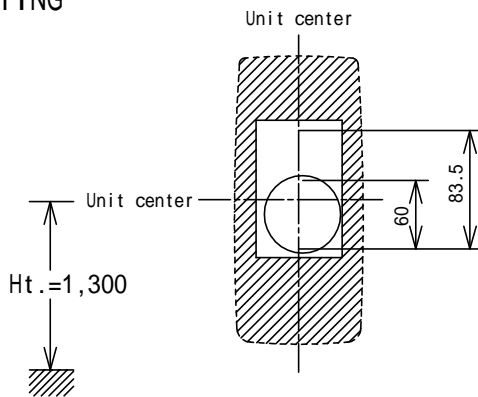
DESCRIPTION TWO-WIRE ELECTRIC LOCK DOOR PHONE KIT BOX	FIG. NAME KIT BOX CONTENTS	UNIT mm	DATE 15 July, 2005
MODEL NO. DA-1AG	FIG.NO. 52722311-1-5	PAGE 1/5	REVISION 1

AIPHONE

PRODUCT DRAWING



MOUNTING



DA-1MD chassis: Both 60mm- and 83.5mm-guided.
Cable inlet; Cable passes through Electrical box (round or single-gang box), or for surface cable run, through opening cut out on top or bottom of unit.

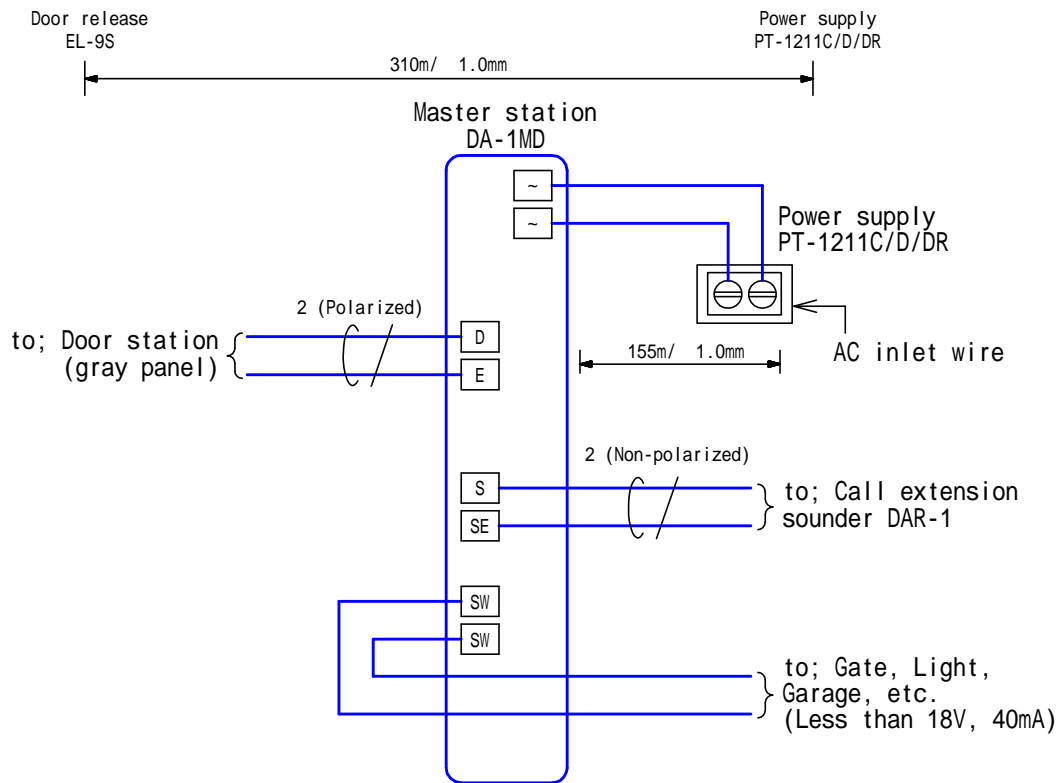
SPECIFICATIONS

Power source	AC 15V. Supplied from Power supply PT-1211C/D/DR.
Communication	Handset simultaneous communication.
Call tone	Electronic tremolo tone.
Door release button	Dry-closure contact (16V AC, 20 Ohm or more) for Aiphone's EL-9S or others (16V AC, 20 Ohm or more).
Service button	Dry-closure contact (18V, 40mA) for Gate, Light, Garage, etc.
Mounting	Surface wall mounting
Electrical box	Single-gang box or round-gang box
Weight	350g(approx.)
Unit color	Snow white (5Y9/0.2 Munsell Approximation).

DESCRIPTION MASTER STATION DA-1MD	FIG. NAME PRODUCT/SPECIFICATIONS	UNIT mm	DATE 10 May, 2005
MODEL NO. DA-1AG	FIG.NO. 52722311-2-5	PAGE 2/5	REVISION 1

AIPHONE

WIRING DIAGRAM



RESTRICTIONS

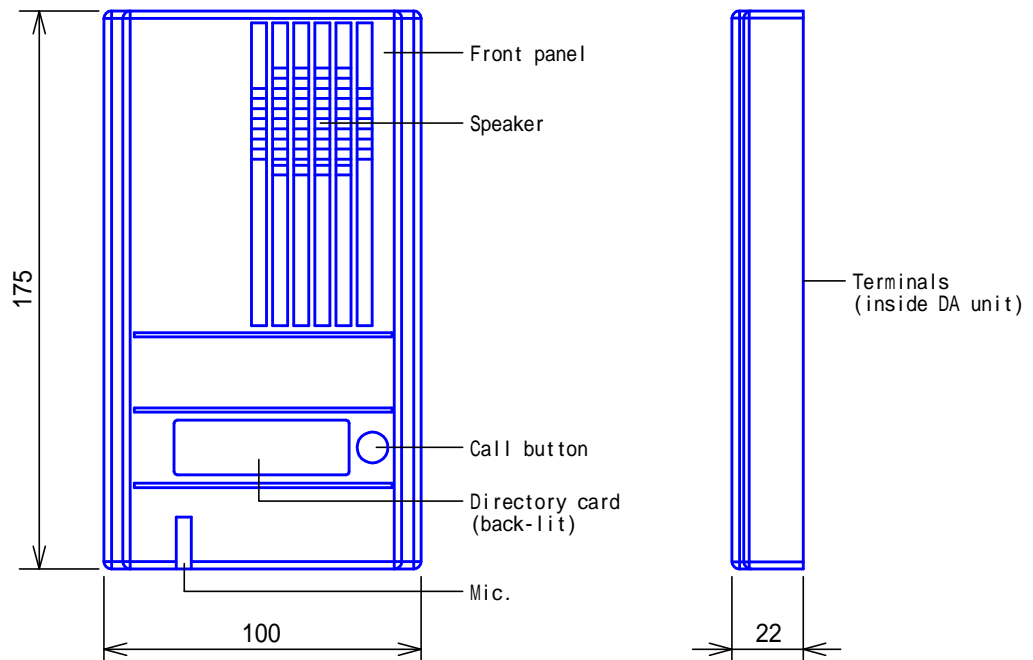
Service button provides dry-closure for controlling External device: Gate, Light, Garage, etc. (Rated not more than 18V, 40mA).

FUNCTIONS

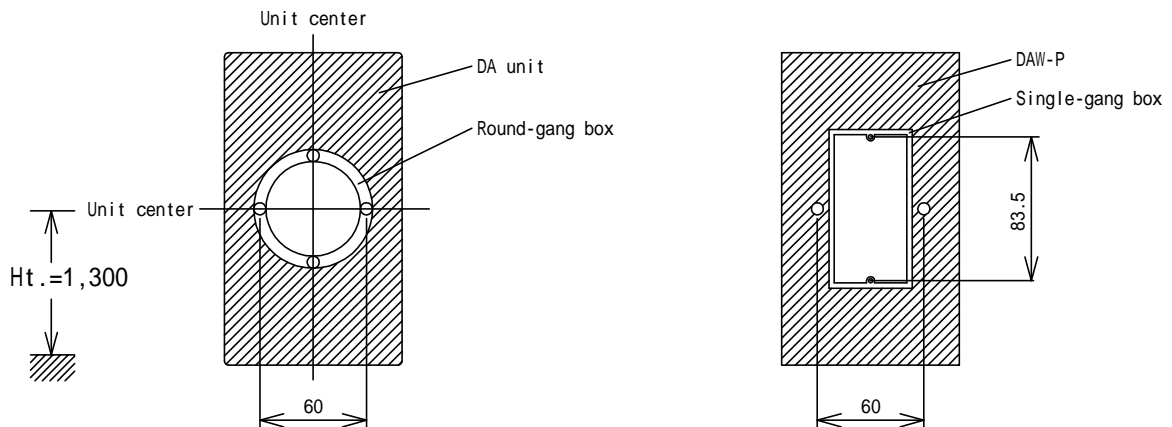
Receiving a call from Door station and entering communication by lifting handset.
Having door strike take place by holding down Door release button.
Remote controlling External device with Service button.

DESCRIPTION MASTER STATION DA-1MD	FIG. NAME WIRING/RESTR./FCN.	UNIT mm	DATE 10 May, 2005
MODEL NO. DA-1AG	FIG.NO. 52722311-3-5	PAGE 3/5	REVISION 1
			AIPHONE

PRODUCT DRAWING



MOUNTING



* Cable passes through Electrical box (round or single-gang box), or for surface cable run, through opening cut out on top or bottom of unit.

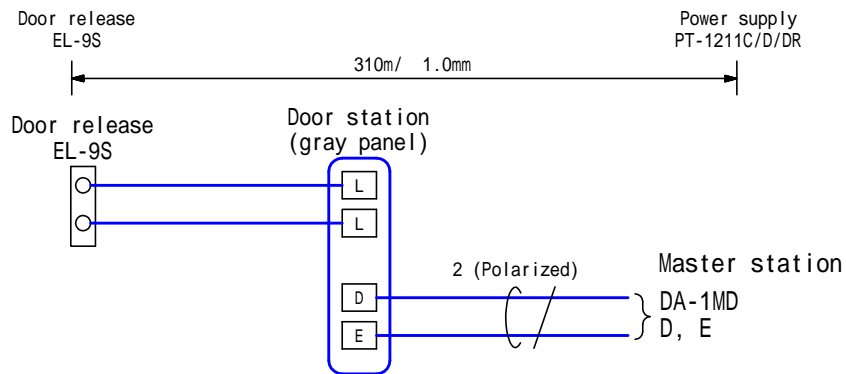
SPECIFICATIONS

Power source	AC 15V. Supplied from Master station
Door release terminals	Rated AC 16V, more than 20 Ohm
Housing	Front cover; Polycarbonate
Mounting	Surface wall mount
Electrical box	Round-gang box (60mm guided). Single-gang box (Requires DAW-P mounting plate.)
Weight	270g(approx.)
Unit color	Front panel; Gray

DESCRIPTION GRAY PANEL DOOR STATION	FIG. NAME PRODUCT/SPECIFICATIONS	UNIT mm	DATE 10 May, 2005
MODEL NO. DA-1AG	FIG.NO. 52722311-4-5	PAGE 4/5	REVISION 1

AIPHONE

WIRING DIAGRAM



RESTRICTIONS

Door release shall be Aiphone's EL-9S (12V AC, 0.35A) or a local manufacture (16V AC, 20 Ohm or more).

Door release is fed power from Door station. AC transformer is not required for the same.

FUNCTIONS

Calling & communication with Master station.

Last-pressed calling becomes effective until the Master station replies.

While the door station is communicating, door strike can take place.

DESCRIPTION GRAY PANEL DOOR STATION	FIG. NAME WIRING/RESTR./FCN.	UNIT mm	DATE 10 May, 2005
MODEL NO. DA-1AG	FIG.NO. 52722311-5-5	PAGE 5/5	REVISION 1
			AIPHONE