

# TWO-WIRE ELECTRIC LOCK DOOR PHONE DA-1AS

Kit box contains;

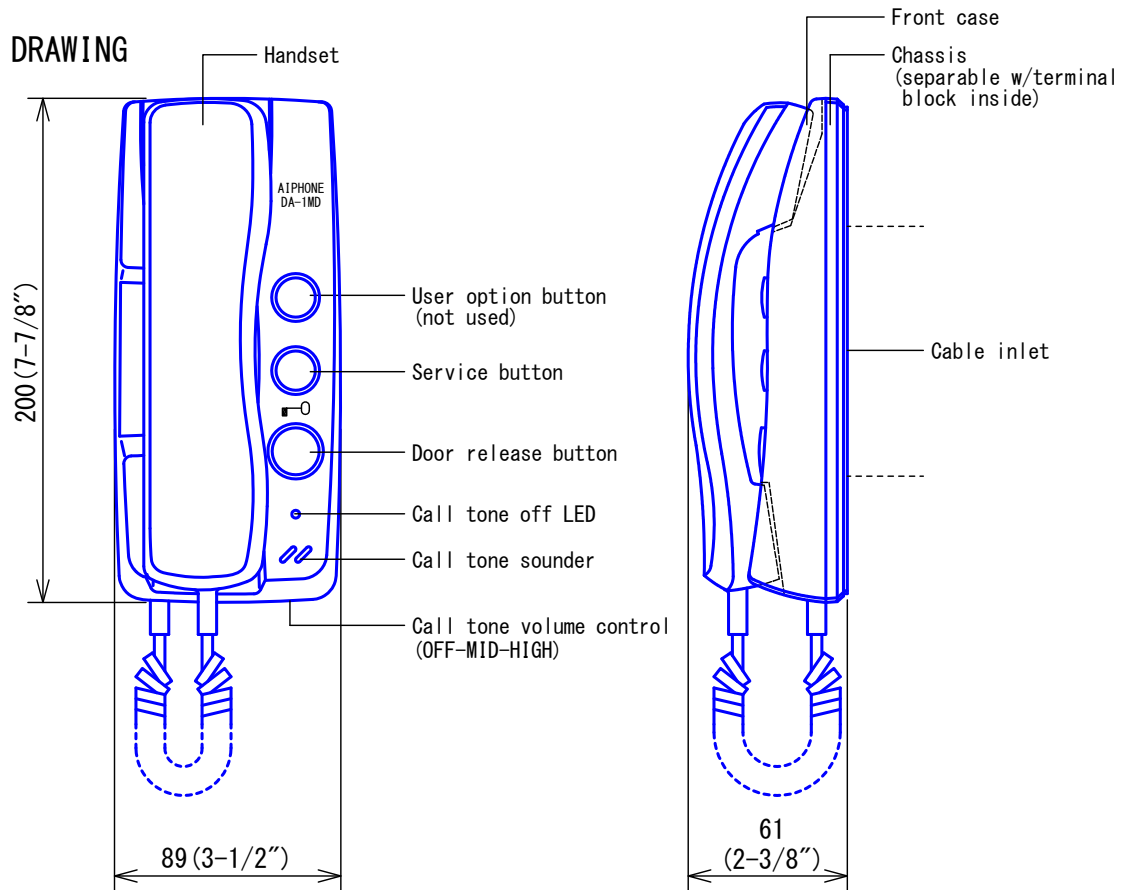
DESCRIPTION	MODEL NO.	UNIT
Master station	DA-1MD	1 unit
Door station	(Silver panel door station)	1 unit

\* Add an appropriate power supply.

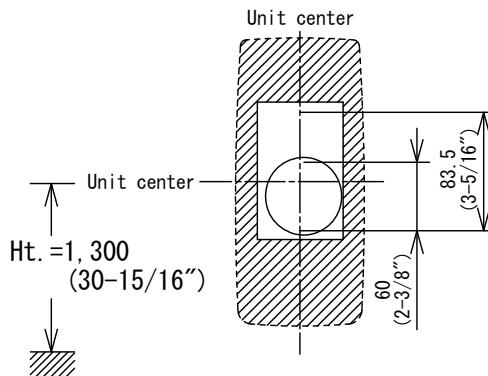
DESCRIPTION TWO-WIRE ELECTRIC LOCK DOOR PHONE KIT BOX	FIG. NAME <b>KIT BOX CONTENTS</b>	UNIT mm	DATE 15 July, 2005
MODEL NO. <b>DA-1AS</b>	FIG. NO. 52733311-1-5	PAGE 1/5	REVISION 1

**AIPHONE**

■ PRODUCT DRAWING



● MOUNTING



DA-1MD chassis: Both 60mm- and 83.5mm-guided.  
 Cable inlet: Cable passes through Electrical box (round or single-gang box), or for surface cable run, through opening cut out on top or bottom of unit.

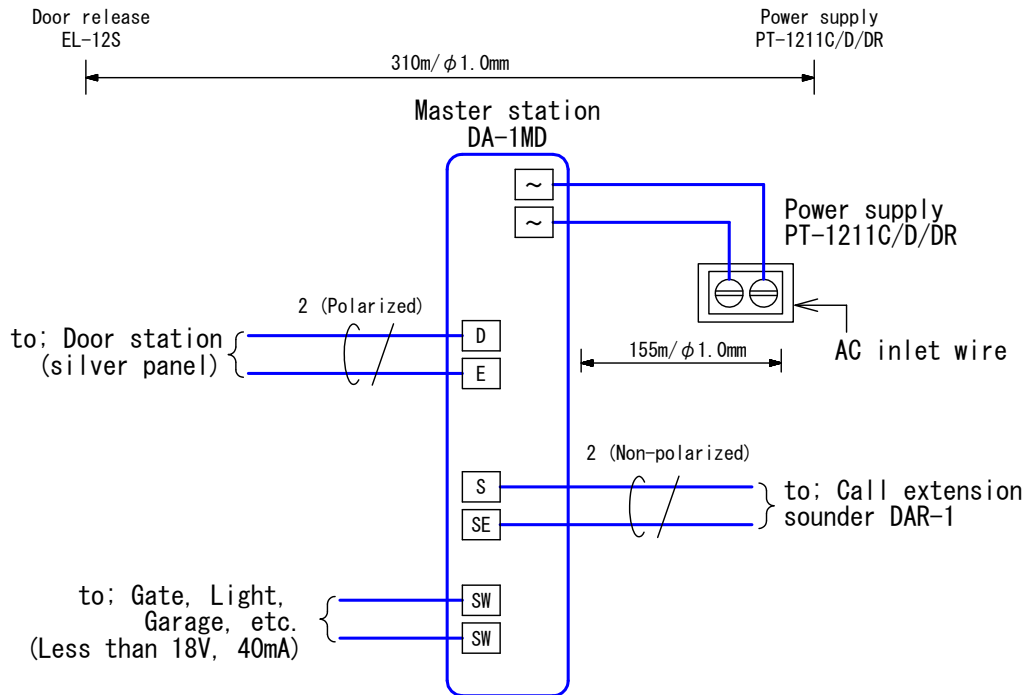
■ SPECIFICATIONS

Power source	AC15V. Supplied from Power supply PT-1211C/D/DR.
Type of communication	Handset:simultaneous communication.
Ambient temperature	0~40°C (32~104° F)
Material	Fire-retardant ABS plastic
Call tone	Electronic tremolo tone.
Door release button	EL-12S or others (AC9.5~20V , more than 70 Ohm).
Service button	Dry-closure contact (18V, 40mA) for Gate, Light, Garage, etc.
Mounting	Surface wall-mount
Electrical box	Single-gang box or round-gang box
Weight	Approx. 350g(0.77 lbs)
Color	Snow white (5Y9/0.2 Munsell Approximation).

DESCRIPTION <b>MASTER STATION DA-1MD</b>	FIG. NAME <b>PRODUCT/SPECIFICATIONS</b>	UNIT mm	DATE 1 September, 2016
MODEL NO. <b>DA-1AS</b>	FIG. NO. 52733311-2-5	PAGE 2/5	REVISION 2

**AIPHONE**

## ■ WIRING DIAGRAM



## ■ RESTRICTIONS

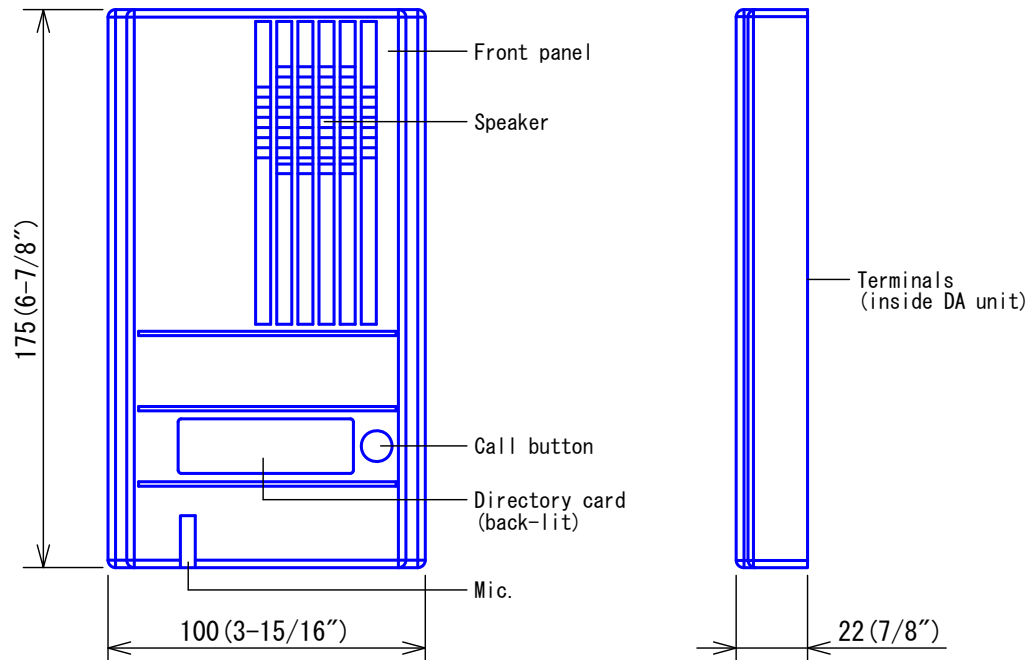
- Service button provides dry-closure for controlling External device: Gate, Light, Garage, etc. (Rated not more than 18V, 40mA).

## ■ FUNCTIONS

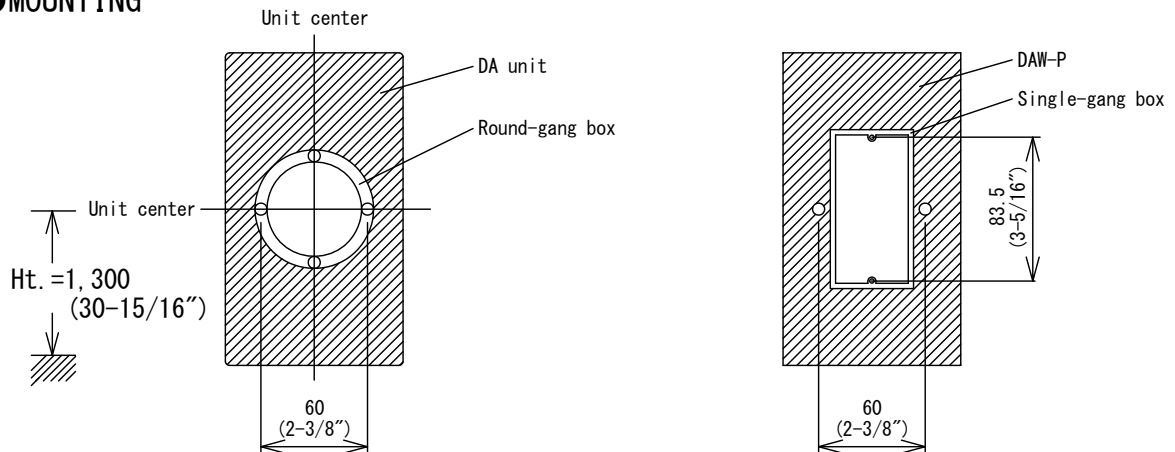
- Receiving a call from Door station and entering communication by lifting handset.
- Having door strike take place by holding down Door release button.
- Remote controlling External device with Service button.

DESCRIPTION <b>MASTER STATION DA-1MD</b>	FIG. NAME <b>WIRING/RESTR./FCN.</b>	UNIT mm	DATE 10 August, 2016
MODEL NO. <b>DA-1AS</b>	FIG. NO. 52733311-3-5	PAGE 3/5	REVISION 2
<b>AIPHONE</b>			

## ■ PRODUCT DRAWING



## ● MOUNTING



\* Cable passes through Electrical box (round or single-gang box), or for surface cable run, through opening cut out on top or bottom of unit.

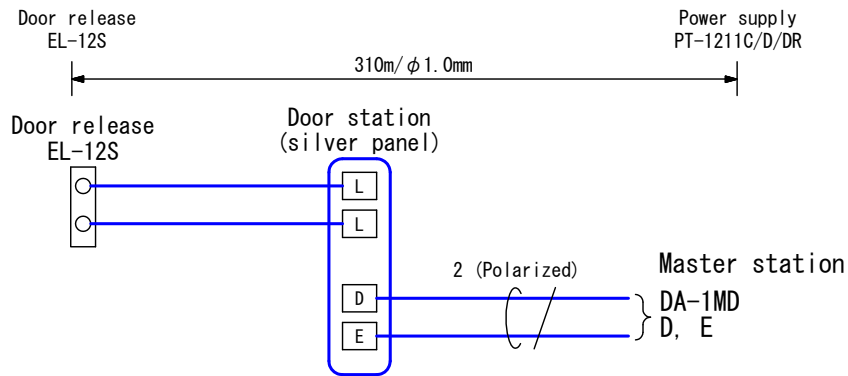
## ■ SPECIFICATIONS

Power source	AC 15V. Supplied from Master station
Door release terminals	Rated AC 16V, more than 20 Ohm
Type of communication	Open voice hands-free communication
Ambient temperature	-10~+60°C (14~140° F)
Mounting	Surface wall-mount
Electrical box	Round-gang box (60mm guided). Single-gang box.
Material	Front cover; Polycarbonate
Weight	Approx. 270g(0.59 lbs)
Color	Front panel; Silver

DESCRIPTION	FIG. NAME	UNIT	DATE
SILVER PANEL DOOR STATION	PRODUCT/SPECIFICATIONS	mm	1 September, 2016
MODEL NO.	FIG. NO.	PAGE	REVISION
DA-1AS	52733311-4-5	4/5	2

**AIPHONE**

## ■ WIRING DIAGRAM



## ■ RESTRICTIONS

- Door release shall be Aiphone's EL-12S or others (AC9.5~12V, more than 70 Ohm).
- Door release is fed power from Door station. AC transformer is not required for the same.

## ■ FUNCTIONS

- Calling & communication with Master station.  
Last-pressed calling becomes effective until the Master station replies.  
While the door station is communicating, door strike can take place.

DESCRIPTION <b>SILVER PANEL DOOR STATION</b>	FIG. NAME <b>WIRING/RESTR. /FCN.</b>	UNIT mm	DATE 10 August, 2016
MODEL NO. <b>DA-1AS</b>	FIG. NO. 52733311-5-5	PAGE 5/5	REVISION 2

**AIPHONE**