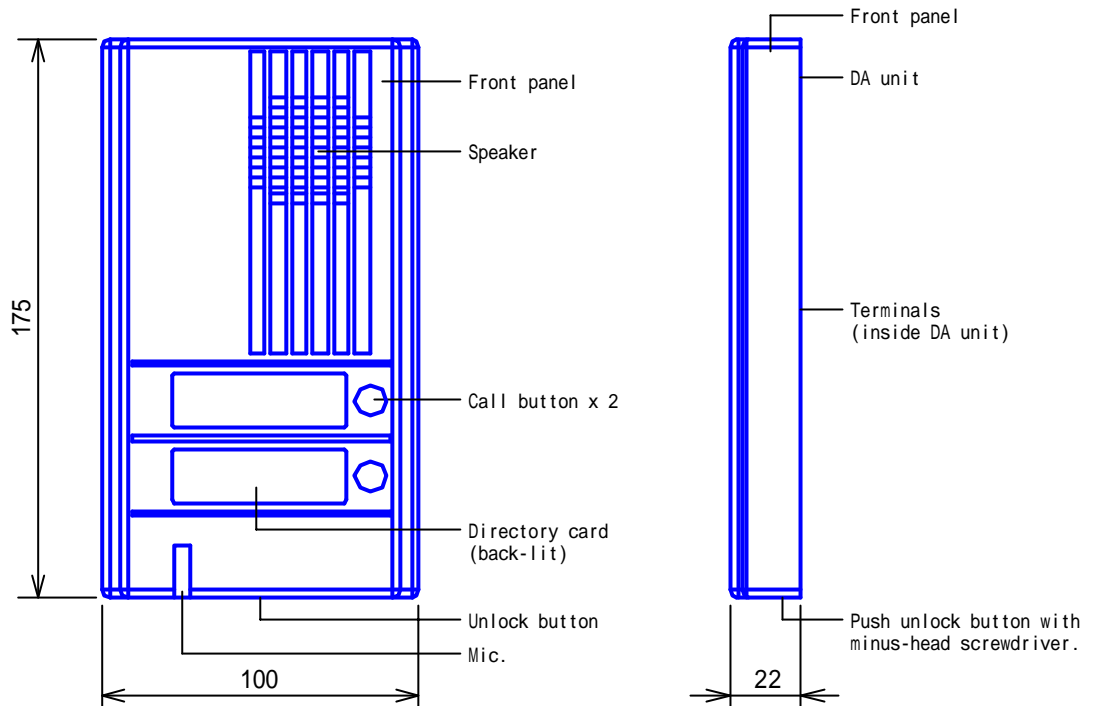
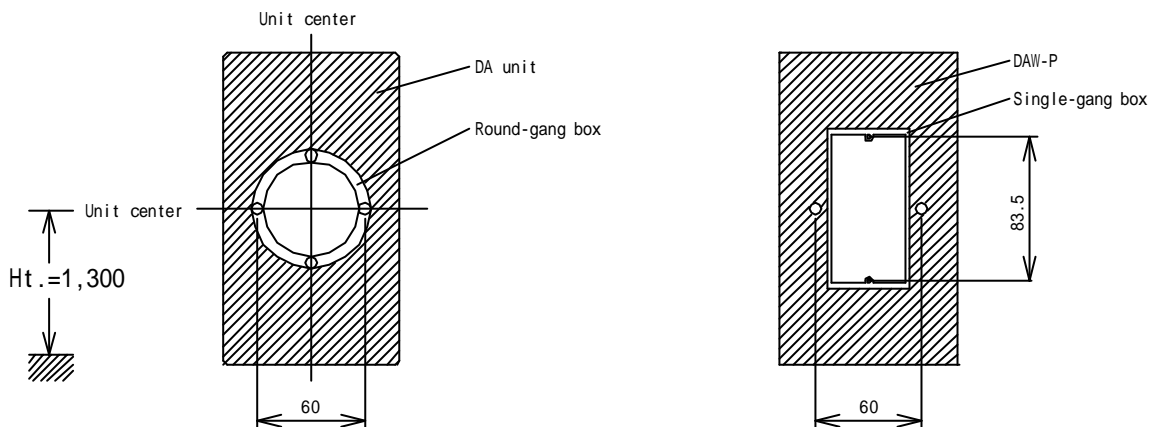


PRODUCT DRAWING



MOUNTING



* Cable passes through Electrical box (round or single-gang box), or for surface cable run, through opening cut out on top or bottom of unit.

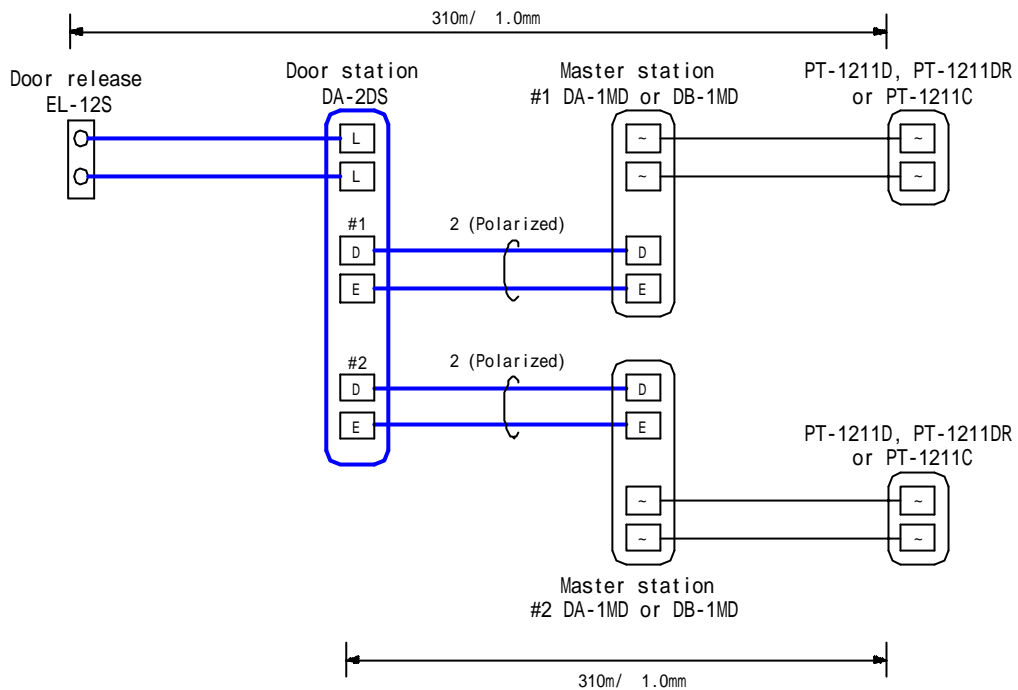
SPECIFICATIONS

Power source	AC 15V. Supplied from Master station
Door release terminals	Resistance: more than (AC) 70 Voltage: AC 9.5 ~ 20V
Housing	Front panel; Aluminum
Mounting	Surface wall mount
Electrical box	Round-gang box (60mm guided). Single-gang box (Requires DAW-P mounting plate.)
Weight	270g(approx.)
Unit color	Front panel; Silver

DESCRIPTION DOOR STATION (2-call, DA Series)	FIG. NAME PRODUCT/SPECIFICATIONS	UNIT mm	DATE 29 April, 2009
MODEL NO. DA-2DS	FIG.NO. 52841-1-2	PAGE 1/2	REVISION 2

AIPHONE

WIRING DIAGRAM



RESTRICTIONS

Door release shall be Aiphone's EL-12S (12V AC 125mA, 12V DC 200mA) or a local manufacture (Resistance: more than (AC) 70 Ω , Voltage: AC 9.5~20V).
 Door release is fed power from Door station. AC transformer is not required for the same.

FUNCTIONS

Calling & communication with Master station.
 Last-pressed calling becomes effective until the Master station replies.
 Door release
 (w/DA-1MD): Door release can be activated only during the communication
 (w/DB inside station): Door release can be activated whenever the door release button is pressed.

DESCRIPTION	FIG. NAME	UNIT	DATE
DOOR STATION (2-call, DA Series)	WIRING/RESTR./FCN.	mm	5 March, 2009
MODEL NO.	FIG.NO.	PAGE	REVISION
DA-2DS	52841-2-2	2/2	2
AIPHONE			