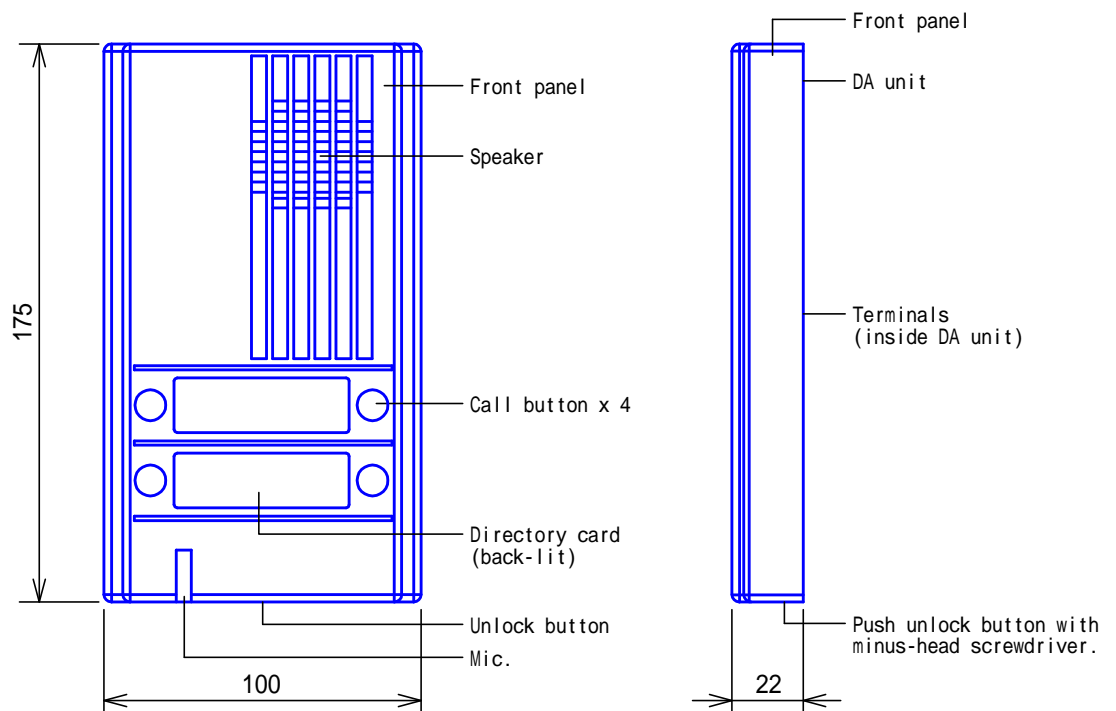
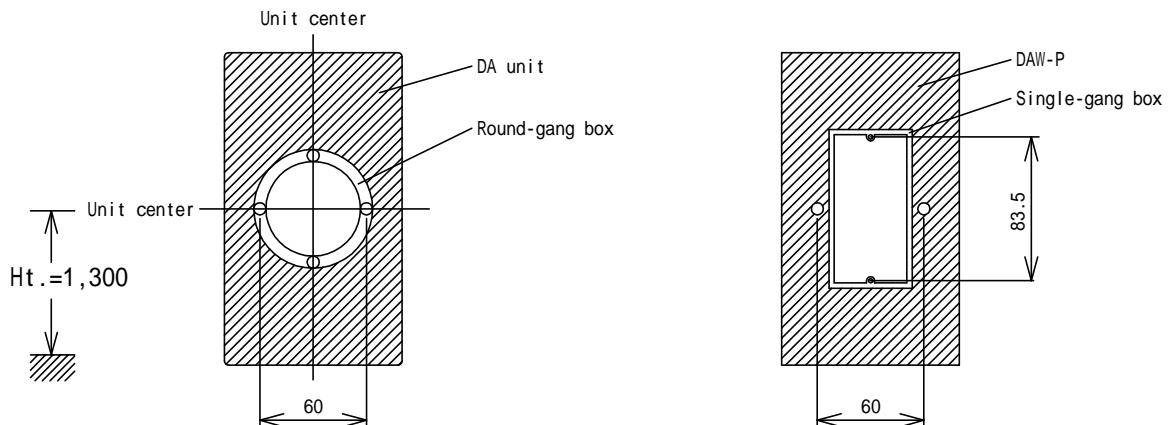


## PRODUCT DRAWING



## MOUNTING



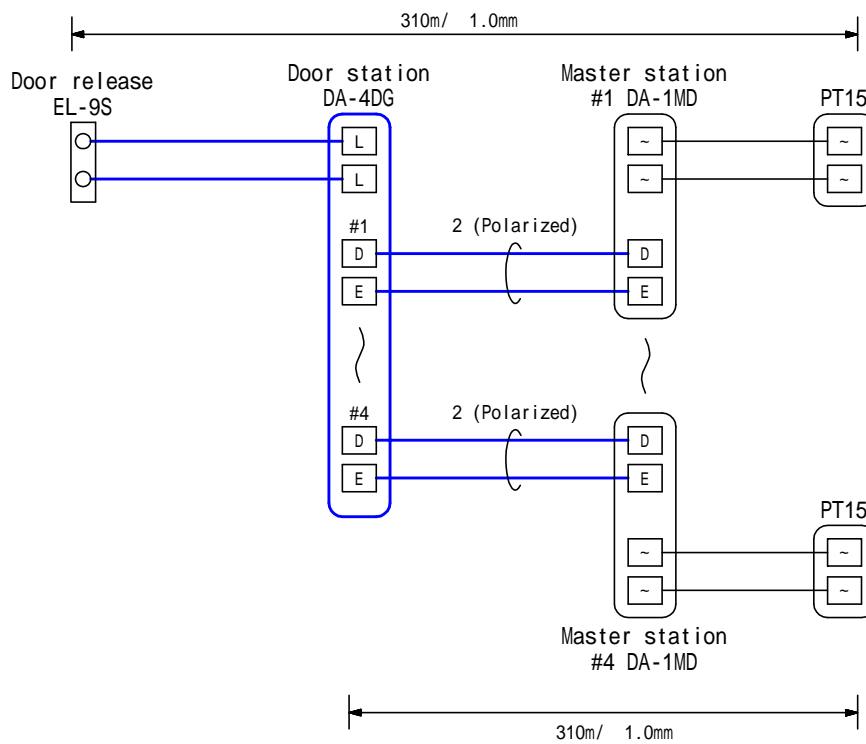
\* Cable passes through Electrical box (round or single-gang box), or for surface cable run, through opening cut out on top or bottom of unit.

## SPECIFICATIONS

Power source	AC 15V. Supplied from Master station		
Door release terminals	Rated AC 16V, more than 20 Ohm		
Housing	Front cover; Polycarbonate		
Mounting	Surface wall mount		
Electrical box	Round-gang box (60mm guided). Single-gang box (Requires DAW-P mounting plate.)		
Weight	270g(approx.)		
Unit color	Front panel; Gray		
DESCRIPTION	FIG. NAME	UNIT	DATE
DOOR STATION (4-call, DA Series)	PRODUCT/SPECIFICATIONS	mm	10 May, 2005
MODEL NO.	FIG.NO.	PAGE	REVISION
DA-4DG	52670311-1-2	1/2	1

**AIPHONE**

## WIRING DIAGRAM



PT15: Power supply PT-1211D, PT-1211DR, PT-1211C

## RESTRICTIONS

- Door release shall be Aiphone's EL-9S (12V AC, 0.35A) or a local manufacture (16V AC, 20 Ohm or more).
- Door release is fed power from Door station. AC transformer is not required for the same.

## FUNCTIONS

- Calling & communication with Master station.
- Last-pressed calling becomes effective until the Master station replies.
- While the door station is communicating, door strike can take place.

DESCRIPTION <b>DOOR STATION (4-call, DA Series)</b>	FIG. NAME <b>WIRING/RESTR./FCN.</b>	UNIT mm	DATE 10 May, 2005
MODEL NO. <b>DA-4DG</b>	FIG.NO. 52670311-2-2	PAGE 2/2	REVISION 1
			<b>AIPHONE</b>