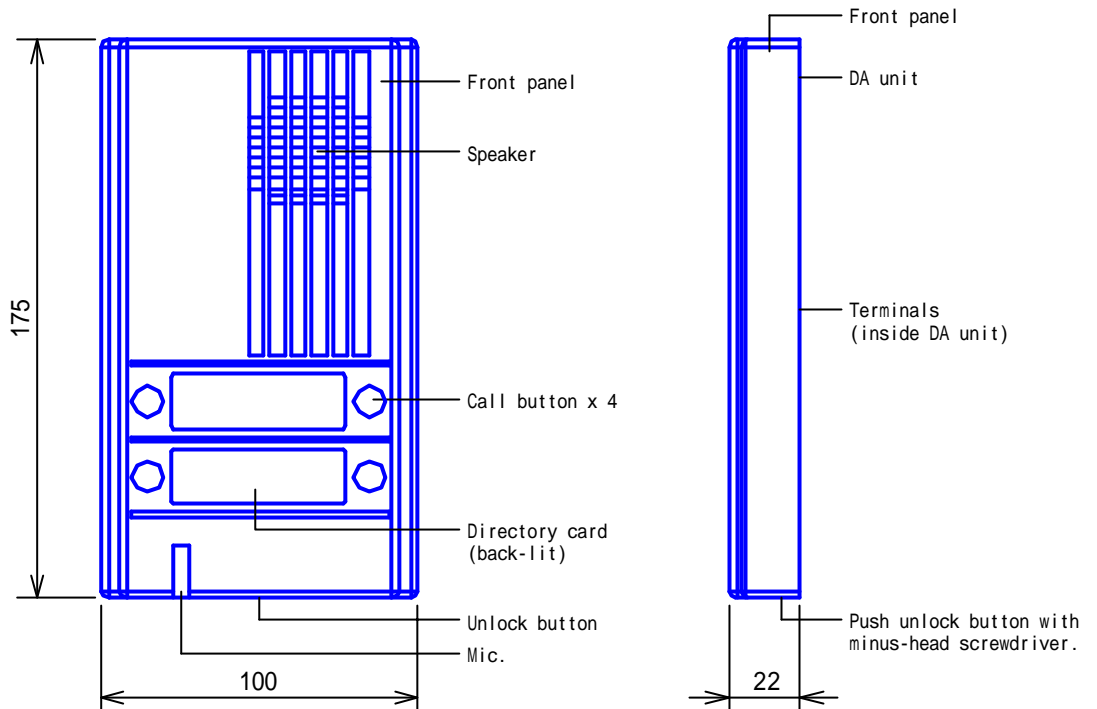
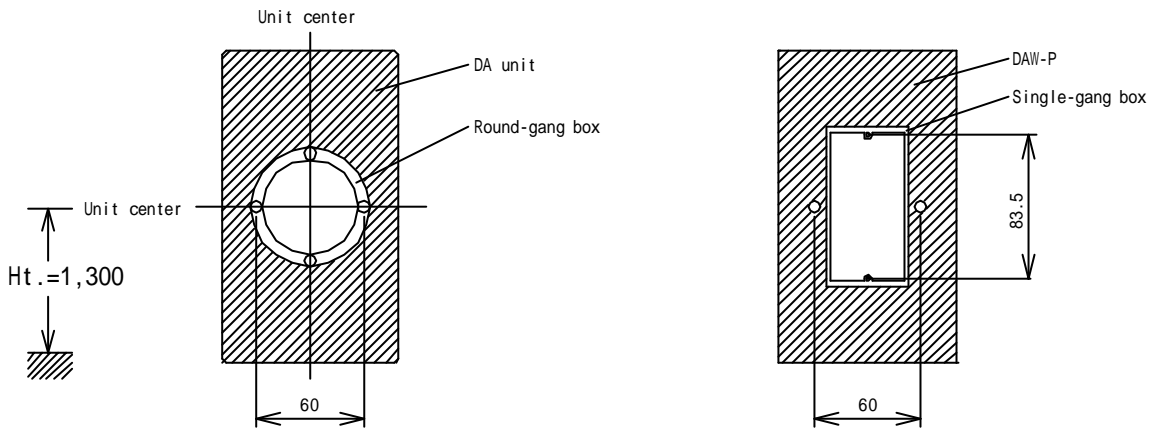


PRODUCT DRAWING



MOUNTING



\* Cable passes through Electrical box (round or single-gang box), or for surface cable run, through opening cut out on top or bottom of unit.

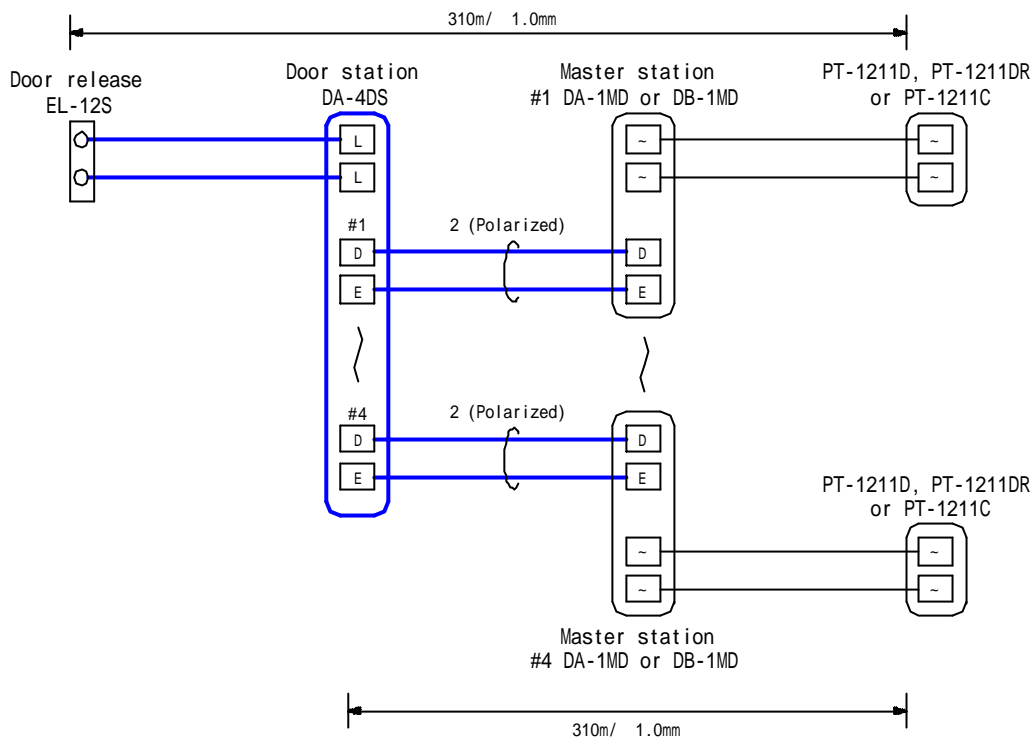
SPECIFICATIONS

Power source	AC 15V. Supplied from Master station
Door release terminals	Resistance: more than (AC) 70 Voltage: AC 9.5 ~ 20V
Housing	Front panel; Aluminum
Mounting	Surface wall mount
Electrical box	Round-gang box (60mm guided). Single-gang box (Requires DAW-P mounting plate.)
Weight	270g(approx.)
Unit color	Front panel; Silver

DESCRIPTION <b>DOOR STATION (4-call, DA Series)</b>	FIG. NAME <b>PRODUCT/SPECIFICATIONS</b>	UNIT mm	DATE 29 April, 2009
MODEL NO. <b>DA-4DS</b>	FIG.NO. 52852-1-2	PAGE 1/2	REVISION 2

**AIPHONE**

## WIRING DIAGRAM



## RESTRICTIONS

Door release shall be Aiphone's EL-12S (12V AC 125mA, 12V DC 200mA) or a local manufacture (Resistance: more than (AC) 70  $\Omega$ , Voltage: AC 9.5~20V).  
 Door release is fed power from Door station. AC transformer is not required for the same.

## FUNCTIONS

Calling & communication with Master station.  
 Last-pressed calling becomes effective until the Master station replies.  
 Door release  
 (w/DA-1MD): Door release can be activated only during the communication  
 (w/DB inside station): Door release can be activated whenever the door release button is pressed.

DESCRIPTION <b>DOOR STATION (4-call, DA Series)</b>	FIG. NAME <b>WIRING/RESTR./FCN.</b>	UNIT mm	DATE 5 March, 2009
MODEL NO. <b>DA-4DS</b>	FIG.NO. 52852-2-2	PAGE 2/2	REVISION 2
			<b>AIPHONE</b>