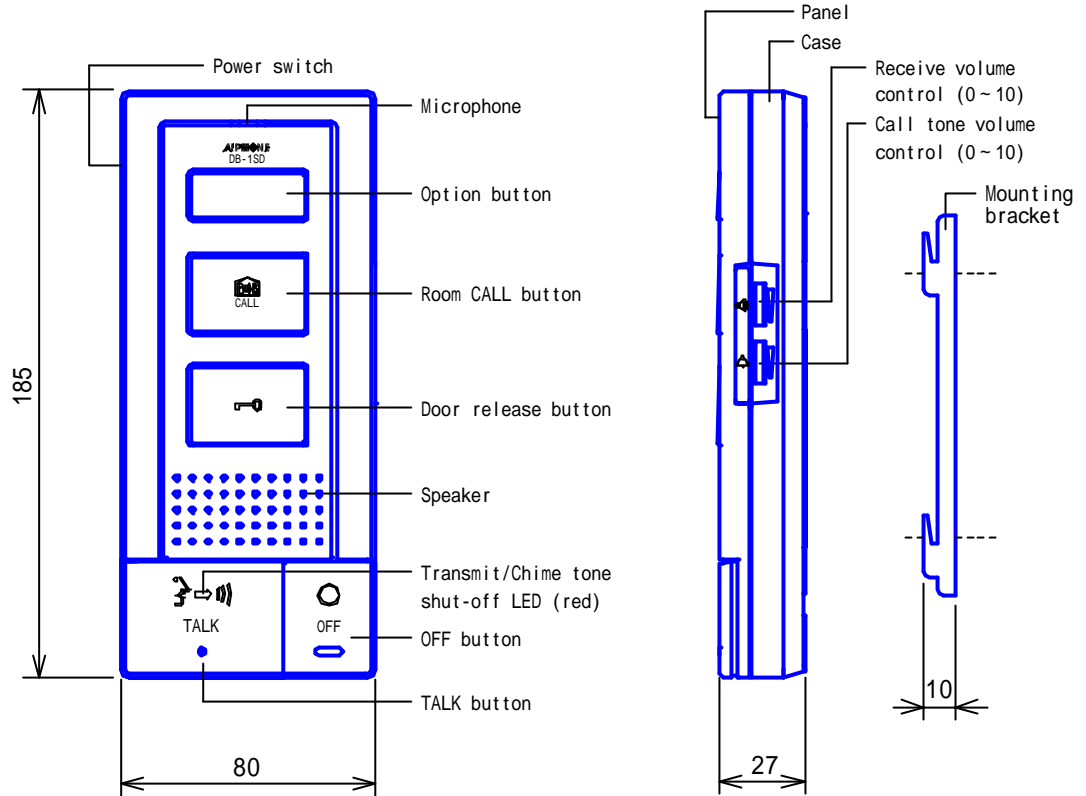
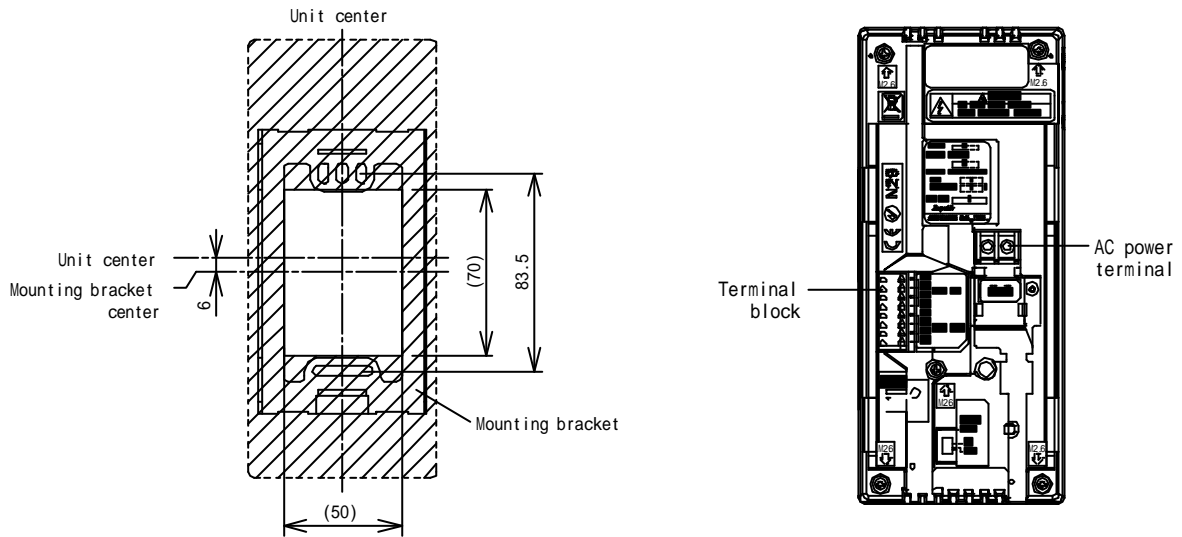


# PRODUCT DRAWING



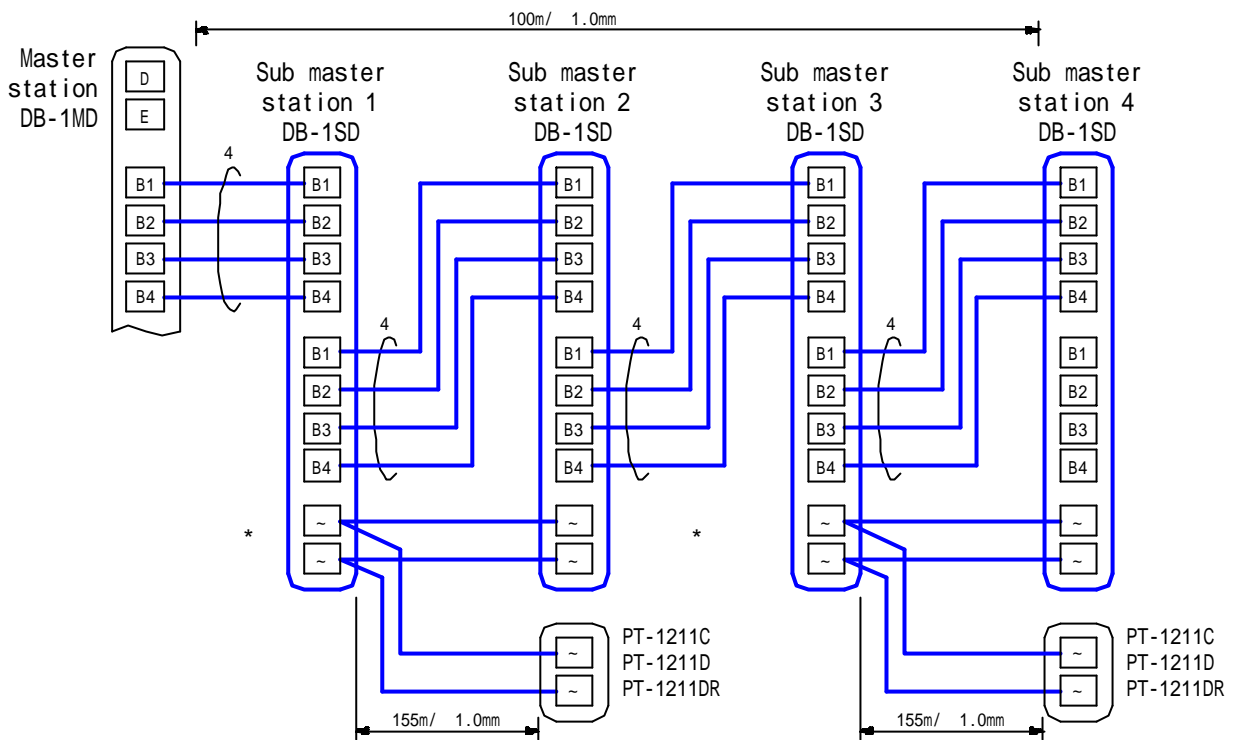
# MOUNTING



( ): Opening cut out on the wall.

DESCRIPTION <b>SUB MASTER STATION</b>	FIG. NAME <b>PRODUCT DRAWING</b>	UNIT mm	DATE 25 June, 2009
MODEL NO. <b>DB-1SD</b>	FIG.NO. 32582-1-3	PAGE 1/3	REVISION 1
			<b>AIPHONE</b>

# WIRING DIAGRAM



- \*. Do not connect ( ~ , ~ ) terminals between following units.  
 Between Master and 1st DB-1SD.  
 Between 2nd and 3rd DB-1SDs.

## RESTRICTIONS

Due to hands-free auto-voice actuation system, smooth voice switching may be hindered by voice strength of the opponent or ambient noise, etc.

ID registration setting is necessary for each sub master station.

DB-1SD shall meet with RESTRICTIONS of DB-1MD Master station.

DESCRIPTION <b>SUB MASTER STATION</b>	FIG. NAME <b>WIRING/RESTRICTIONS</b>	UNIT mm	DATE 25 June, 2009
MODEL NO. <b>DB-1SD</b>	FIG.NO. 32582-2-3	PAGE 2/3	REVISION 1
			<b>AIPHONE</b>

## FUNCTIONS

Calling door station/Communication by pressing TALK button (Max 1 min)/Ending communication by pressing OFF button.

Transmit LED is steadily lit in red while speaking.

Press-to-talk communication, after depressing TALK button approx. 1 sec. or more.

Room-to-room communication by pressing CALL button /communication max. 10 min.

Option button: Controls external device such as entrance light.

Activating door strike.

## SETTING

Adjust Receive volume (0 - 10\*)..... RCV. (receive) volume control

Adjust Call tone volume (0 -10\*) ..... TONE (call tone) volume control

\* 0: OFF 10: HIGH

When the chime tone volume is 0, the LED continues to flash every 5 seconds during standby.

## SPECIFICATIONS

Power source	AC 15V. Supplied from AC transformer PT-1211C/D/DR.		
Type of communication	Open voice hands-free auto-voice actuation or Press-to-talk communication		
Ambient temperature	0 ~ 40		
Mounting	Surface wall mount		
Electrical box	Single-gang box		
Housing	Fire-retardant ABS plastic		
Weight	Approx.260g (0.55lbs.)		
Call tone	Door call: Chime tone Room call: Chime tone		
Unit color	Case: Pure white (N9.5 Munsell Approximation) Panel: Light gray (5Y8/1 Munsell Approximation)		
DESCRIPTION	FIG. NAME	UNIT	DATE
SUB MASTER STATION	SPEC./FCN./SETTING	mm	25 June, 2009
MODEL NO.	FIG.NO.	PAGE	REVISION
DB-1SD	32582-3-3	3/3	1
<b>AIPHONE</b>			