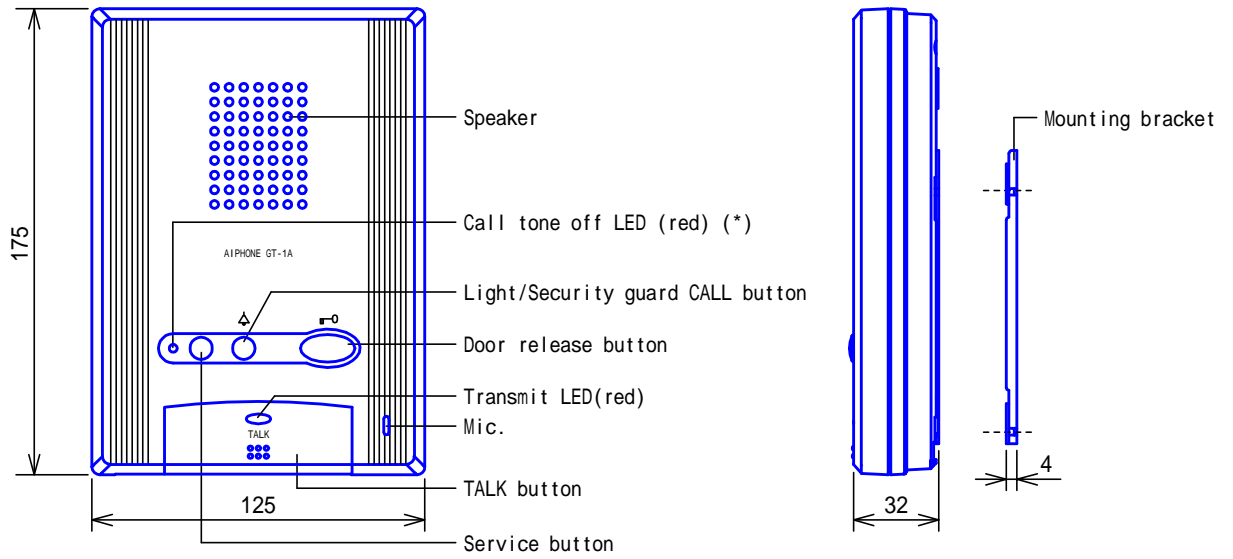


PRODUCT DRAWING



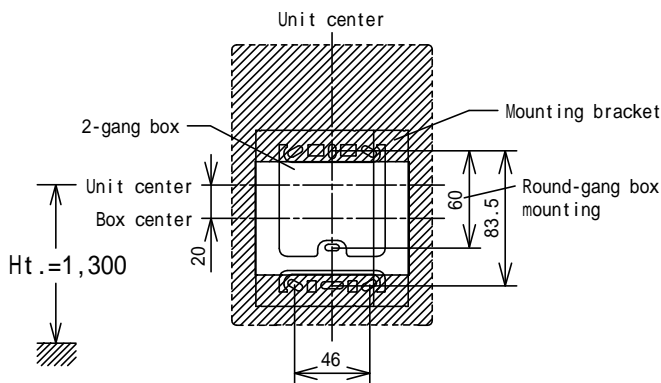
<Bottom view>



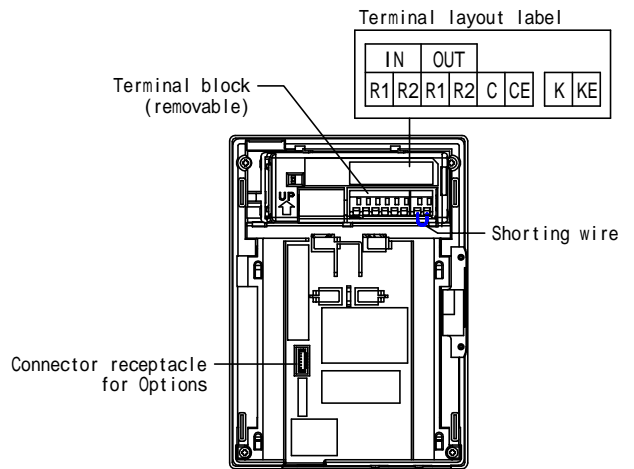
(*) Also, blinks for Doctor call while in standby

Receive volume control ((LOW - MID - HIGH)
Call tone volume control (OFF - MID - HIGH)

MOUNTING



* 95(W) x 70(H): Opening cut out for two-gang wall mounting



<Back view>

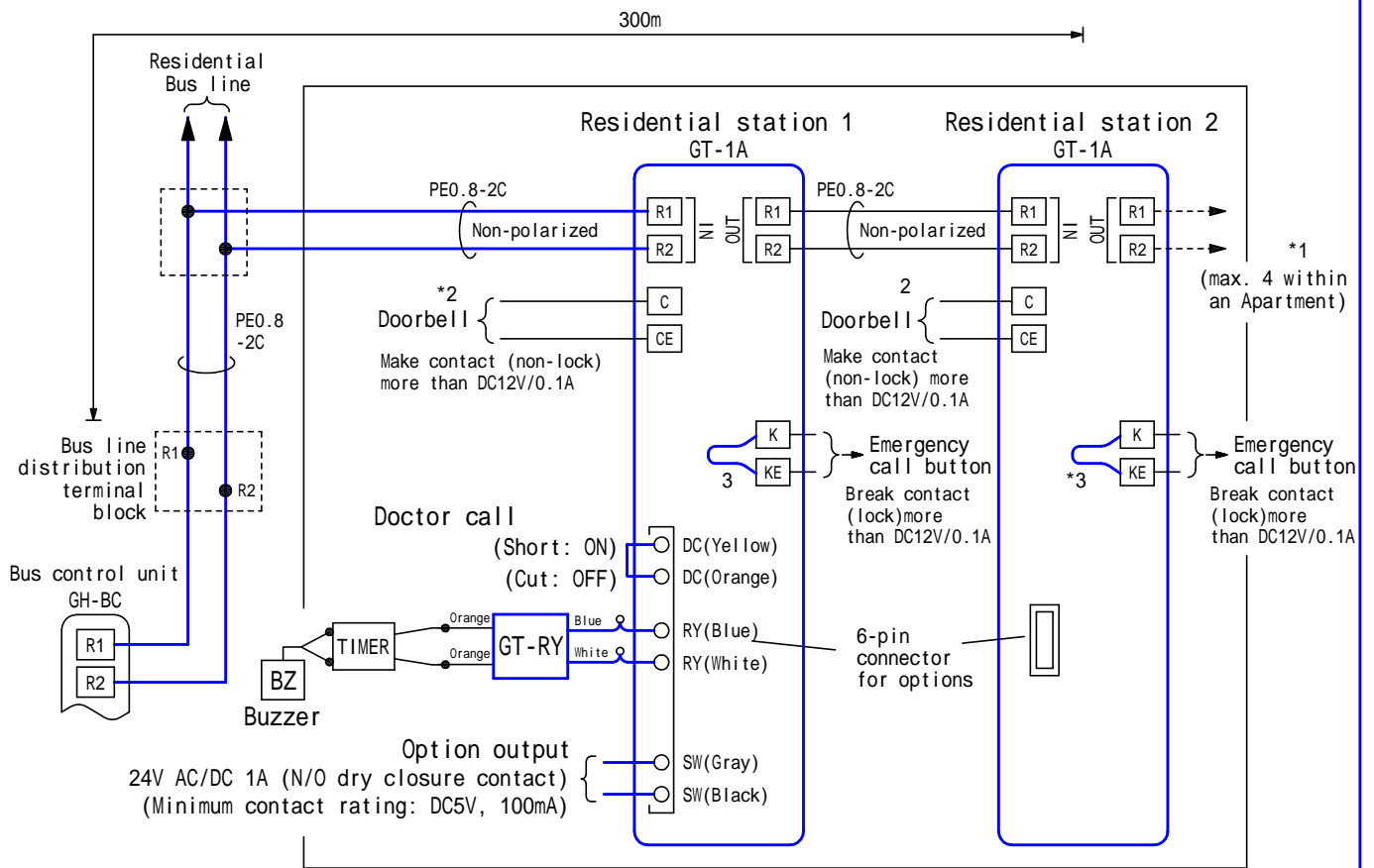
SPECIFICATIONS

Power source	Supplied from GT-BC		
Type of communication	Open voice handsfree communication (auto voice actuation or press-to-talk)		
Ambient temperature	0 ~ 40		
Capacity	Doorbell: 1		
Mounting	Surface wall-mount		
Electrical box	Two-gang box		
Housing	Fire-retardant ABS plastic		
Weight	330g(approx.)		
Unit color	Snow white(5Y9.3/0.1 Munsell Approximation)		

DESCRIPTION (Audio)	FIG. NAME	UNIT	DATE
RESIDENTIAL STATION WITH SERVICE BUTTON	PRODUCT/SPECIFICATIONS	mm	11 March, 2011
MODEL NO.	FIG.NO.	PAGE	REVISION
GT-1A	G57716-1-3	1/3	1

AIPHONE

WIRING DIAGRAM



- *1: When installing 2 to max. 4 Residential stations within a Residence, extend 2 wires from the Bus trunk line, or from the anterior station. And have the same (or different) number programmed at each Entrance station and Concierge station. (No communicat
 - *2: Do not connect in parallel Doorbell or Emergency call button.
Doorbell; Run individual 2 wires from each GT-1A Station.
Emergency call button; Install a separate Emergency call button for each GT-1A-S Station.
 - *3: Keep K & KE shorted, if not used.
- PE: PVC-coated cable

Input capacity ratings; & : Less than 10k , 1mA ~ (Normally open).
: Maximum permissible load 24V AC/DC, 1A
Minimum permissible load 5V DC, 100mA

RESTRICTIONS

Max. distance of 300m from Bus control unit (GT-BC) to the farthest Residential station (Audio).
Not more than 48 GT-1A stations shall be connected per Bus line(R1, R2).

DESCRIPTION RESIDENTIAL STATION WITH SERVICE BUTTON	(Audio)	FIG. NAME WIRING/RESTRICTIONS	UNIT mm	DATE 11 March, 2011
MODEL NO. GT-1A		FIG.NO. G57716-2-3	PAGE 2/3	REVISION 1
				AIPHONE

FUNCTIONS

- Receiving a call and communication with Entrance station
(Handsfree auto voice actuation or Press-to-talk. Hold down "TALK" more than 1 sec. for the latter)
- Having door release activated with Door release button
- Calling and communication with Concierge station, both ways
- Receiving a tone call from Doorbell at the door
- Light control available when receiving a call from Entrance station
- Receives and transfers an Emergency call to Concierge station, and receives an instant callback
- Alarm sound and transfer to Concierge station triggered by broken wire

SETTING

- Adjusting Call tone volume (OFF - MID - HIGH) with Call tone volume control
(When the switch is put to OFF position, the tone-off blinker notifies.)
- Adjusting Receive volume (LOW - MID - HIGH)..... with Receive volume control

DESCRIPTION RESIDENTIAL STATION WITH SERVICE BUTTON	(Audio)	FIG. NAME FUNCTIONS/SETTING	UNIT mm	DATE 11 March, 2011
MODEL NO. GT-1A		FIG.NO. G57716-3-3	PAGE 3/3	REVISION 1
				AIPHONE