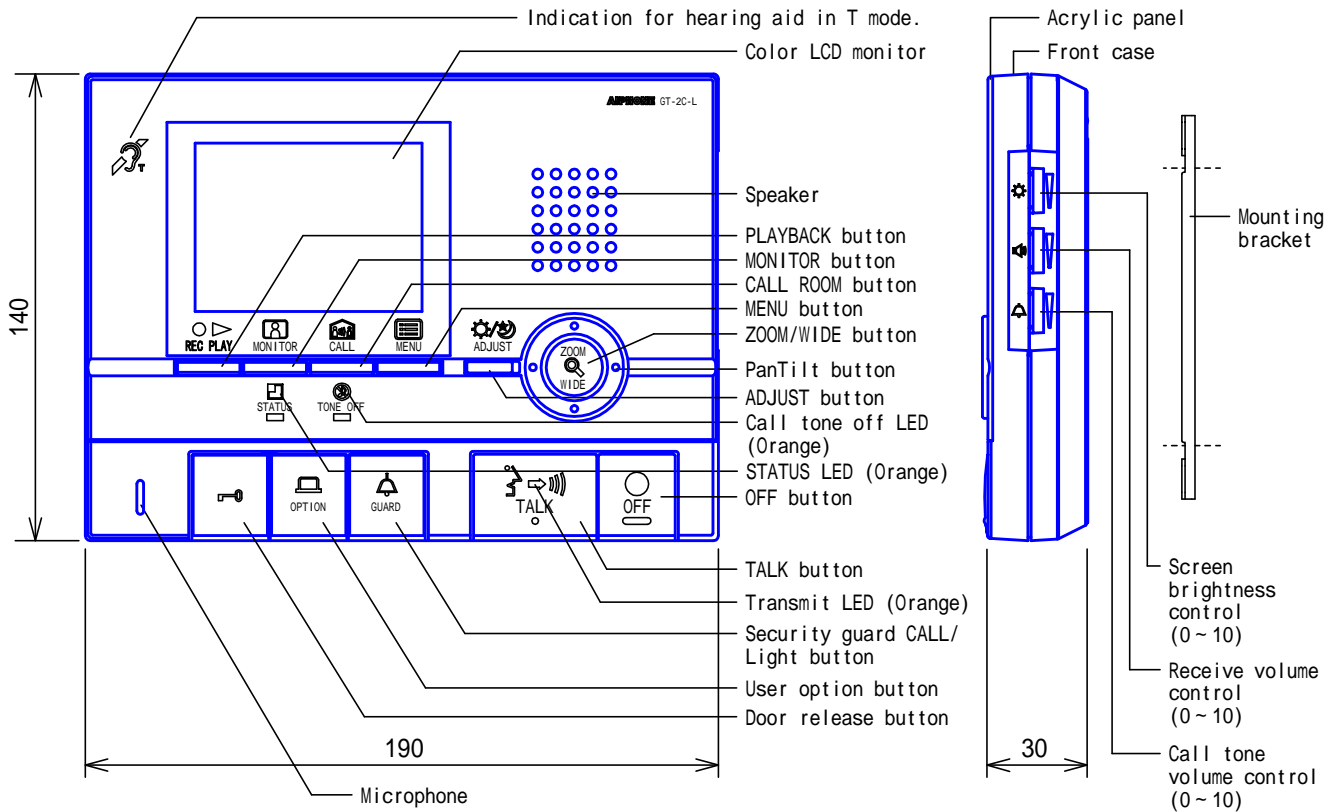
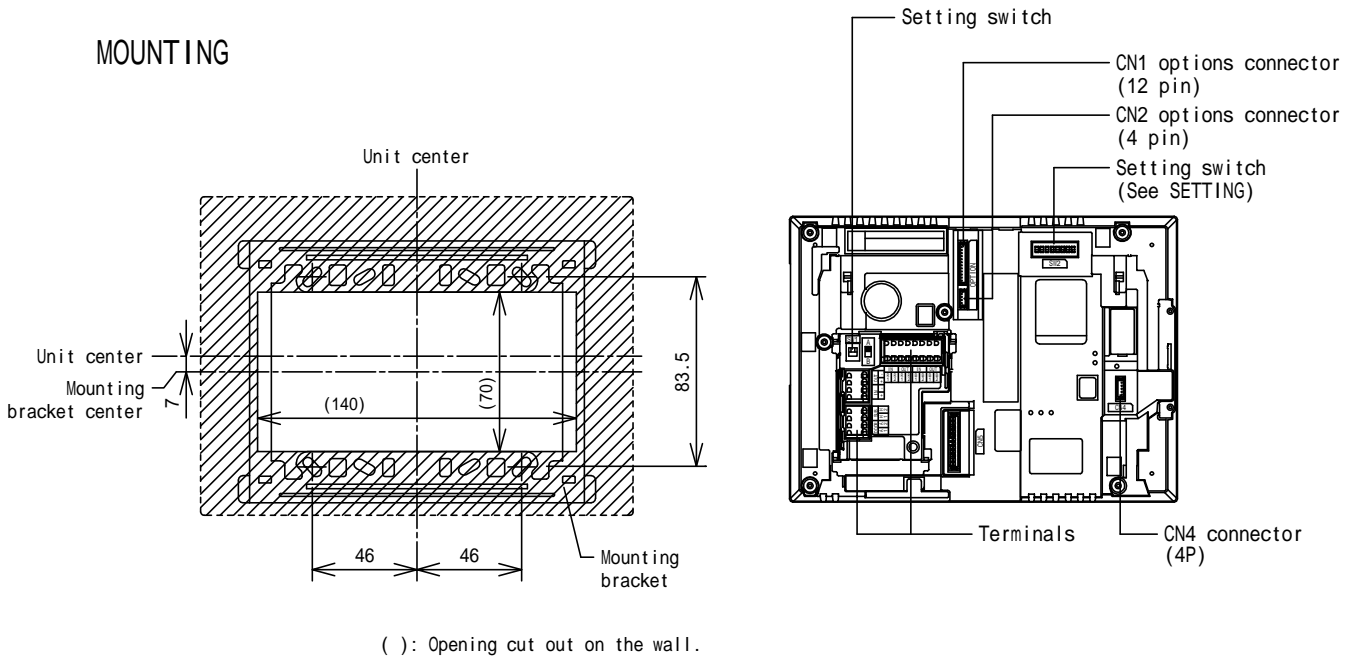


# PRODUCT DRAWING



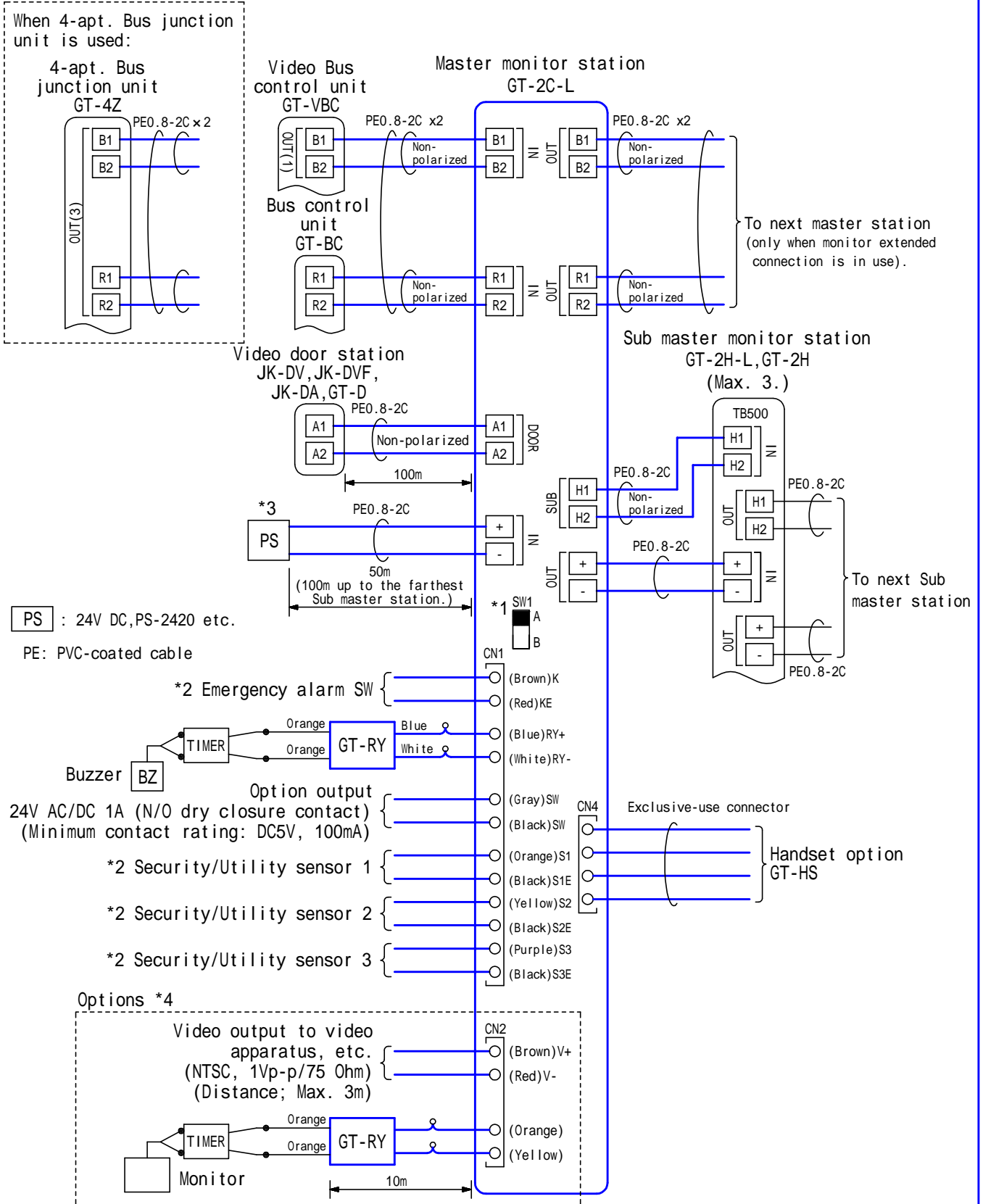
# MOUNTING



DESCRIPTION MASTER MONITOR STATION	FIG. NAME PRODUCT DRAWING	UNIT mm	DATE 11 March, 2011
MODEL NO. GT-2C-L	FIG.NO. G57608-1-5	PAGE 1/5	REVISION 1
			<b>AIPHONE</b>

# WIRING DIAGRAM Residential Bus line

(1) For monitor bus distribution



DESCRIPTION	FIG. NAME	UNIT	DATE
MASTER MONITOR STATION	WIRING DIAGRAM	mm	29 June, 2012
MODEL NO.	FIG.NO.	PAGE	REVISION
GT-2C-L	G57608-2-5	2/5	2

**AIPHONE**

\*1. Terminating switch 1 shall be set to A position on the farthest Master monitor stations.

\*2. Input specifications

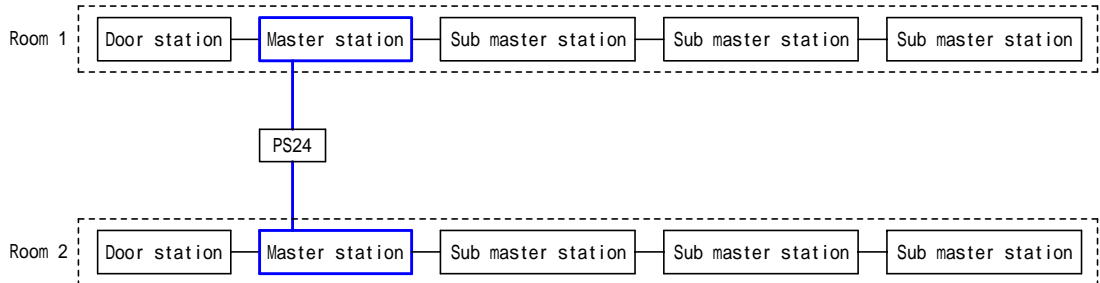
Input method	N/O or N/C dry closure contact Input for transfer contact (start signal only detection method)
Detection confirmation time	100m Sec or more
Contact resistance	During N/O dry closure: Less than 1k During N/C dry closure: At least 50k
Terminal short current	Less than 1mA
Voltage between terminals	Less than 3.3V DC (when open between terminals)

If the output for transfer contact is polarized, connect with matching polarity.

\*3. Power

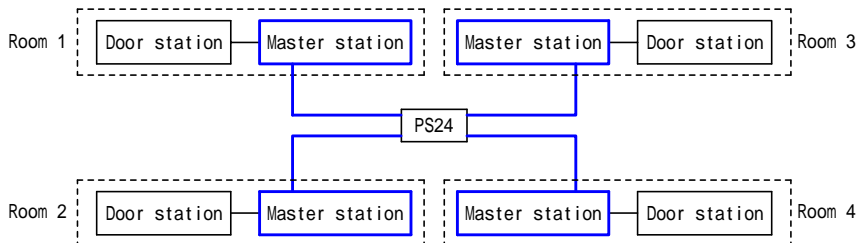
【When Sub master station is connected】

Even if only one Sub master station is connected, one power adapter [PS24] can supply up to Room 2, provided that, for each room, wiring must be extended from the power adapter base.



【When Sub master station is not connected】

One power adapter [PS24] can supply up to Room 4, provided that, for each room, wiring must be extended from the power adapter base.



\*4. As for options, contact a person in charge.

RESTRICTIONS

Due to handsfree auto voice actuation system, smooth voice switching may be hindered by voice strength of the opponent or ambient noise, etc.  
 Either of the following can be connected as Sub master station:  
 Sub master monitor station GT-2H-L, GT-2H  
 Handsfree communication with T-mode hearing aid is effective 20 to 30 cm in front.  
 The farther the distance, the smaller the level.  
 Since the magnetic field of the coil of T-mode hearing aid is generated on the walls as well, it may be bugged by using a T-mode hearing aid in a condominium with thin walls.

DESCRIPTION MASTER MONITOR STATION	FIG. NAME WIRING/RESTRICTIONS	UNIT mm	DATE 11 March, 2011
MODEL NO. GT-2C-L	FIG.NO. G57608-3-5	PAGE 3/5	REVISION 1
			<b>AIPHONE</b>

## FUNCTIONS

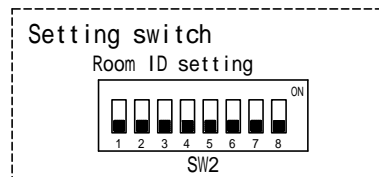
Calling entrance station/communication by pressing the TALK button. (1 min. for handsfree and 3 min. for handset.) Communication ends by pressing the OFF button.  
 Calling and communication with Concierge station, both ways  
 Activating door release with Door release button (while receiving a call from or communicating with Entrance station).  
 Light control available when receiving a call from Entrance station  
 Call transfer (while calling Entrance station, Concierge station or Door station or while Doorbell call tone sounds).  
 Calling from Door bell or from Door station (set to 30, 45, 60, 90 or 120 sec).  
 Communication by pressing the Talk button. (1 min. for handsfree and 3 min. for handset.)  
 Communication ends by pressing the OFF button.  
 Receiving Emergency alarm. (Emergency call tone sounds and transfer is made to Concierge station.)  
 Communication/monitor with T-mode accommodating hearing aid.  
 Transmit LED is steadily lit in orange while speaking.  
 Calling each Concierge station (or call all).  
 Backlight compensation by pressing ADJUST button while monitor is on.  
 (Low light compensation at night. Distinguishing between day and night is automatically done by the door station)  
 ZOOM & WIDE camera control by pressing ZOOM & WIDE button while monitor is on.  
 PanTilt camera control on Zoom mode.  
 Pre-setting of Pantilt position for zoom mode when Door station is called  
 Monitoring audio/video of door station and entrance station by pressing MONITOR button, 30 sec. timed.  
 Press-to-talk communication, after depressing TALK button approx. 1 sec. or more  
 Press-to-talk restriction: Disable Press-to-talk function (T mode communication also available).  
 Calling and communicating with Sub master station by pressing Call Room button.  
 Communication time: approx. 10 min.  
 Notification sounds when utility sensor is input. (Notification sounds High at Master station and sub Master station.)(However, no transfer output to the Concierge station is called.)  
 Notification is reset by pressing OFF button. Sounds stop automatically after 10 sec. by setting.  
 Security function  
 Doctor call function  
 Alarm sound and transfer to Concierge station triggered by broken wire  
 When the switch is put to OFF position, the tone-off blinker notifies  
 Option button: Controls external device such as entrance light

### <Picture memory>

Records call from Entrance station or Door station (first shot is recorded after 2 seconds, and total of 6 shots per sec.)  
 Press PLAYBACK button to record manually (total of 6 shots per sec.)  
 Max. 40 pictures can be recorded (automatic and manual recording), (max. 6 shots per picture)  
 Save max. 10 pictures

## SETTING

Terminate switch((A: terminated)/B)..... SW1  
 ZOOM picture pre-sets..... Press ZOOM/WIDE button more than 2 sec  
 Adjust Call tone volume (0~10)..... Call tone volume control  
 Adjust Screen brightness (0~10) ..... Screen brightness control  
 Adjust Receive volume (0~10)..... Receive volume control  
 Room ID setting (0000 0000~1111 1111(8bit)) ..... SW2-1 to 8



DESCRIPTION	FIG. NAME	UNIT	DATE
MASTER MONITOR STATION	FUNCTIONS/SETTING	mm	11 March, 2011
MODEL NO. GT-2C-L	FIG.NO. G57608-4-5	PAGE 4/5	REVISION 1
			<b>AIPHONE</b>

<Setting screens and display>

User Settings

Date/Time

Entrance station call tone setting ( 1/ 2/ 3/ 4/ 5)

Door station call tone setting ( 1/ 2/ 3/ 4/ 5)

Concierge station call tone setting ( 1/ 2/ 3/ 4/ 5)

Setting recording method.

(Zoom pictures x3 Wide pictures x3, Wide pictures x3 Zoom pictures x3,

Zoom pictures x6, Wide pictures x6)

Language (English/French/German/Italian/Spanish/Dutch)

Residence door call duration setting (30/45/60/90/120 sec.)

Night illumination setting (enable/disable)

Security setting

- Security PIN SETTING (PIN SETTING/RESET SETTING)

- Absent security setting

- Go out timer (0/30/60/120/300/600 sec.)

- Arrival timer (0/30/60/120/300/600 sec.)

- Security alarm timer (10 sec./1 min./10 min./1 hour/continuous)

Utility sensor setting

- Utility call timer (10 sec./1 min./10 min./1 hour/continuous)

Initial setting

Alarm input setting (disable/N/O / N/C)

External input setting

- Sensor 1, 2, 3 (disable/utility/security)

- Transfer to Concierge station (enable/disable) (Indicated when security is selected)

Concierge station setting (Concierge station n: guard/concierge/reception/not displayed)  
(n=1 to 4)

Doctor call setting (enable/disable)

Press-to talk setting (enable/disable)

Initialize

## SPECIFICATIONS

Power source	DC 24V. Supplied from power supply.		
Current consumption	Max. 390mA		
Video-monitor	3-1/2" TFT color LCD		
Pixels	230,000 pixels		
Type of communication	Open voice handsfree communication (auto voice actuation or press-to-talk)		
Ambient temperature	0 ~ +40		
Video door station	1 unit		
Sub master station	3 units		
Picture memory	Max. 40 (Max. 6 images for 1 event)		
Save picture	Max. 10		
Optional button output	24V AC/DC 1A (N/O dry closure contact)		
Mounting	Surface wall-mount		
Call tone	4 selections		
Electrical box	3-gang box		
Housing	Front case:Fire-retardant ABS plastic Acrylic panel: fire-retardant resin		
Weight	520g (approx.)		
Unit color	Snow white (5Y9.3/0.1 Munsell Approximation)		
DESCRIPTION	FIG. NAME	UNIT	DATE
MASTER MONITOR STATION	SPEC. /SETTING	mm	11 March, 2011
MODEL NO.	FIG.NO.	PAGE	REVISION
GT-2C-L	G57608-5-5	5/5	1
			<b>AIPHONE</b>