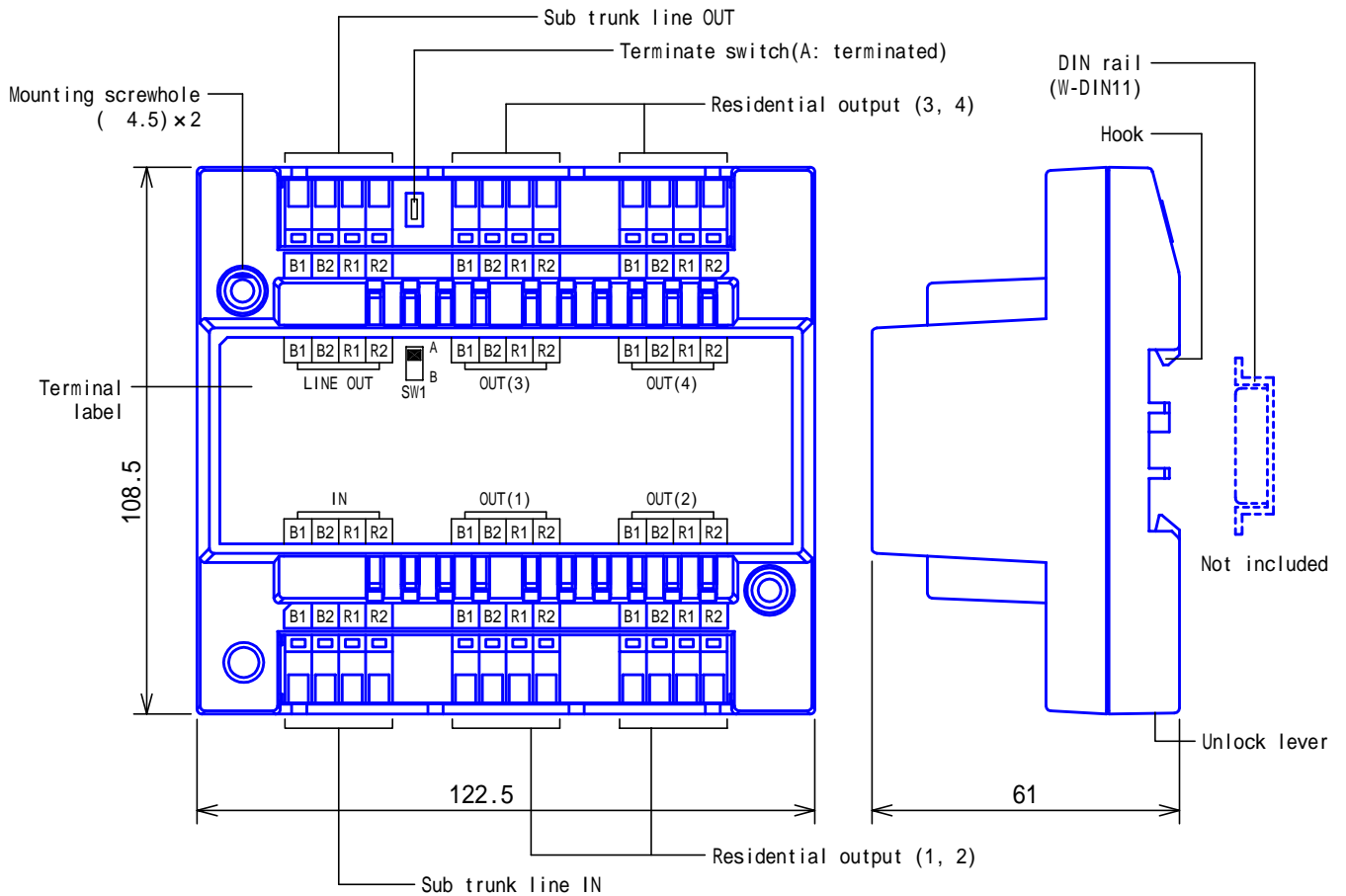
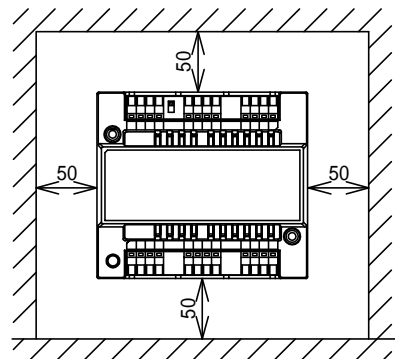
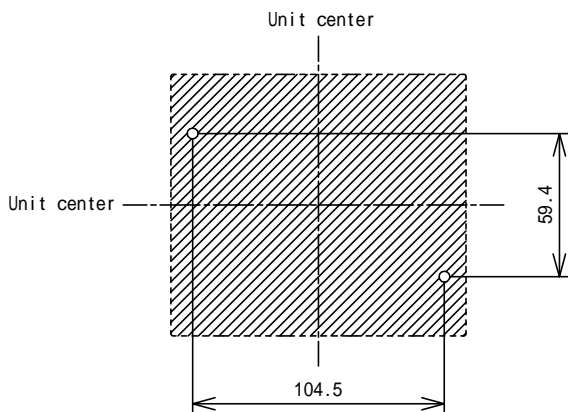


## PRODUCT DRAWING



## MOUNTING

When DIN rail is not provided



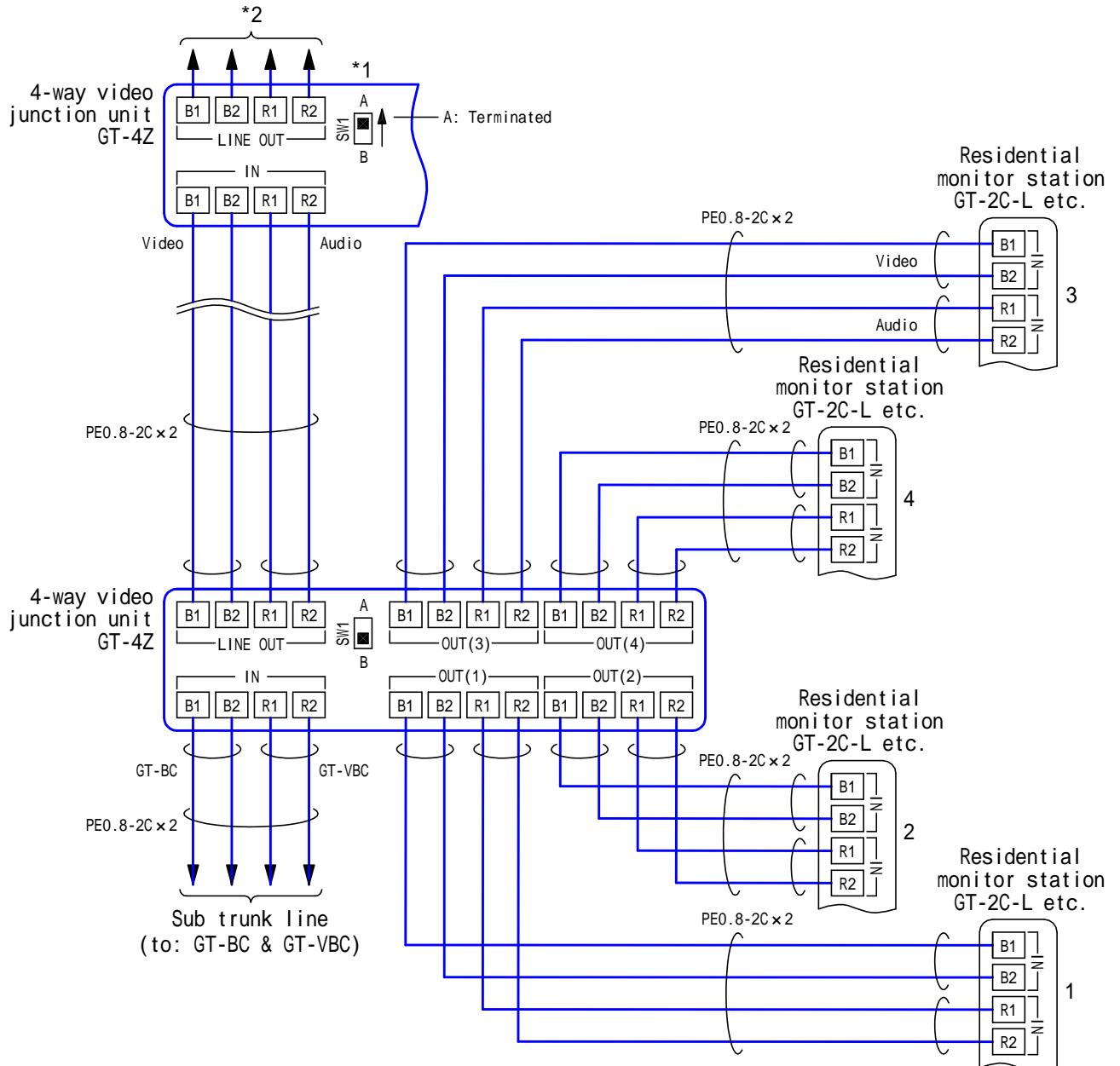
\* Secure a space inside the enclosure box or between the walls for heat radiation and servicing purpose.

## SPECIFICATIONS

Mounting	Surface wall mount or DIN rail (W-DIN11)		
Housing	Fire-retardant ABS plastic		
Weight	190g(approx.)		
Unit color	Middle gray(N6.4 Munsell Approximation)		
DESCRIPTION	FIG. NAME	UNIT	DATE
4-WAY VIDEO JUNCTION UNIT	PRODUCT DRAWING/SPEC.	mm	11 March, 2011
MODEL NO.	FIG.NO.	PAGE	REVISION
GT-4Z	G57545-1-2	1/2	1

**AIPHONE**

## WIRING DIAGRAM



\*1. On each Sub trunk line, terminate the last GT-4Z (Set SW1 to A pos.), when its LINE OUT terminals remain vacant.

\*2. The last GT-4Z unit only is available to connect the fifth Residential monitor station (GT-2C-L).  
(In this case, set SW1 to B pos.)

\*3. GT-2C-L is available only to connect to Sub trunk line, GT-4Z used, never on the one, Monitor-to-Monitor wired.

PE: PVC-coated cable

### RESTRICTIONS

Trunkage capacity: Up to 6 units GT-4Z may be connected per Sub trunk line.

Distance is up to 150m away from GT-VBC to the farthest Residential monitor station.

### FUNCTIONS

Distributes in 4 ways audio, video & data signals from Bus control unit (GT-BC) & Video Bus control unit (GT-VBC).

### SETTING

Terminating the last GT-4Z unit. (Put SW1 to A position.)

DESCRIPTION	FIG. NAME	UNIT	DATE
4-WAY VIDEO JUNCTION UNIT	WIRING/RESTRIC./FUNC./SETTING	mm	11 March, 2011
MODEL NO.	FIG.NO.	PAGE	REVISION
GT-4Z	G57545-2-2	2/2	1

**AIPHONE**