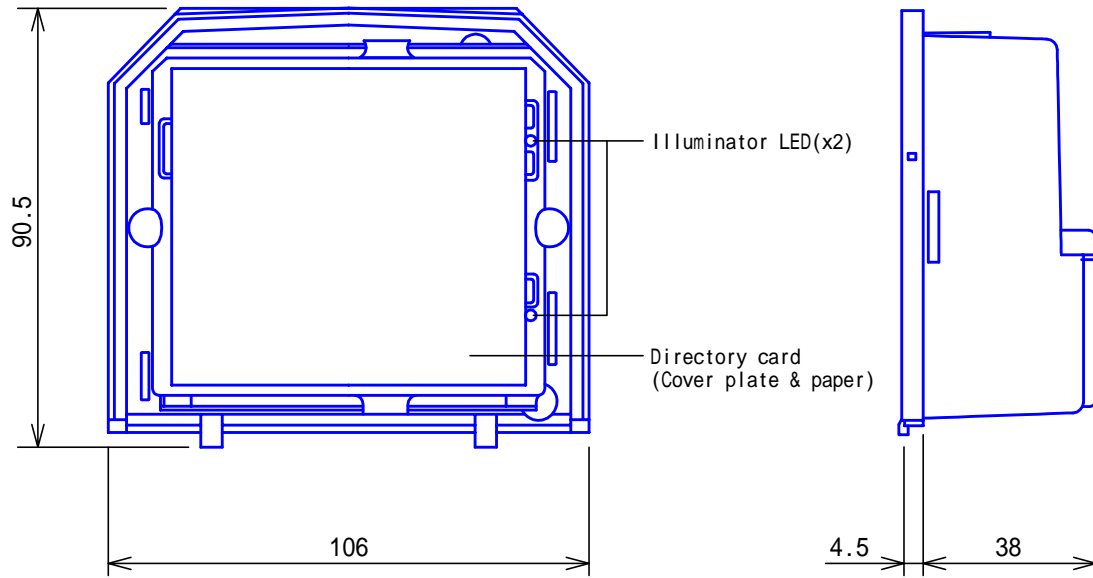
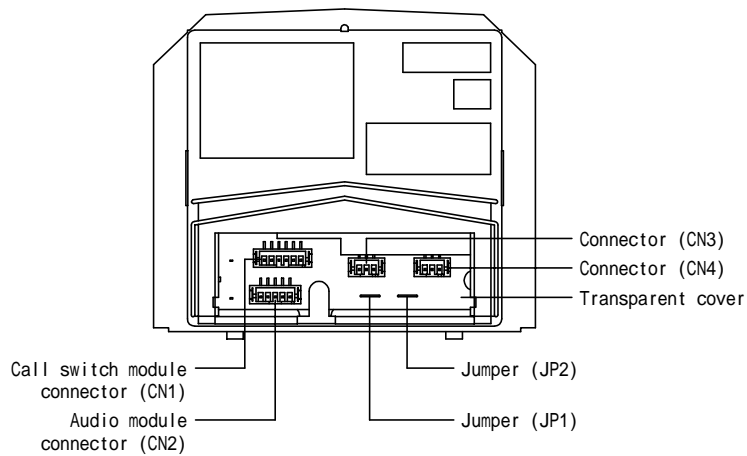


PRODUCT DRAWING



REAR VIEW



SPECIFICATIONS

Mounting	Mounts on mounting bracket (*) (* ) Supplied w/.GF-2F, GF-3F, GT-4F Front frame.
Housing	Fire-retardant ABS plastic
Illuminator	Yellow LED
Weight	90g (approx.)
Remarks	Used with: GF-AP panel

DESCRIPTION <b>ADDRESS MODULE</b>	FIG. NAME <b>PRODUCT/SPECIFICATIONS</b>	UNIT mm	DATE 11 March, 2011
MODEL NO. <b>GT-AD</b>	FIG.NO. G57556-1-1	PAGE 1/1	REVISION 1

**AIPHONE**