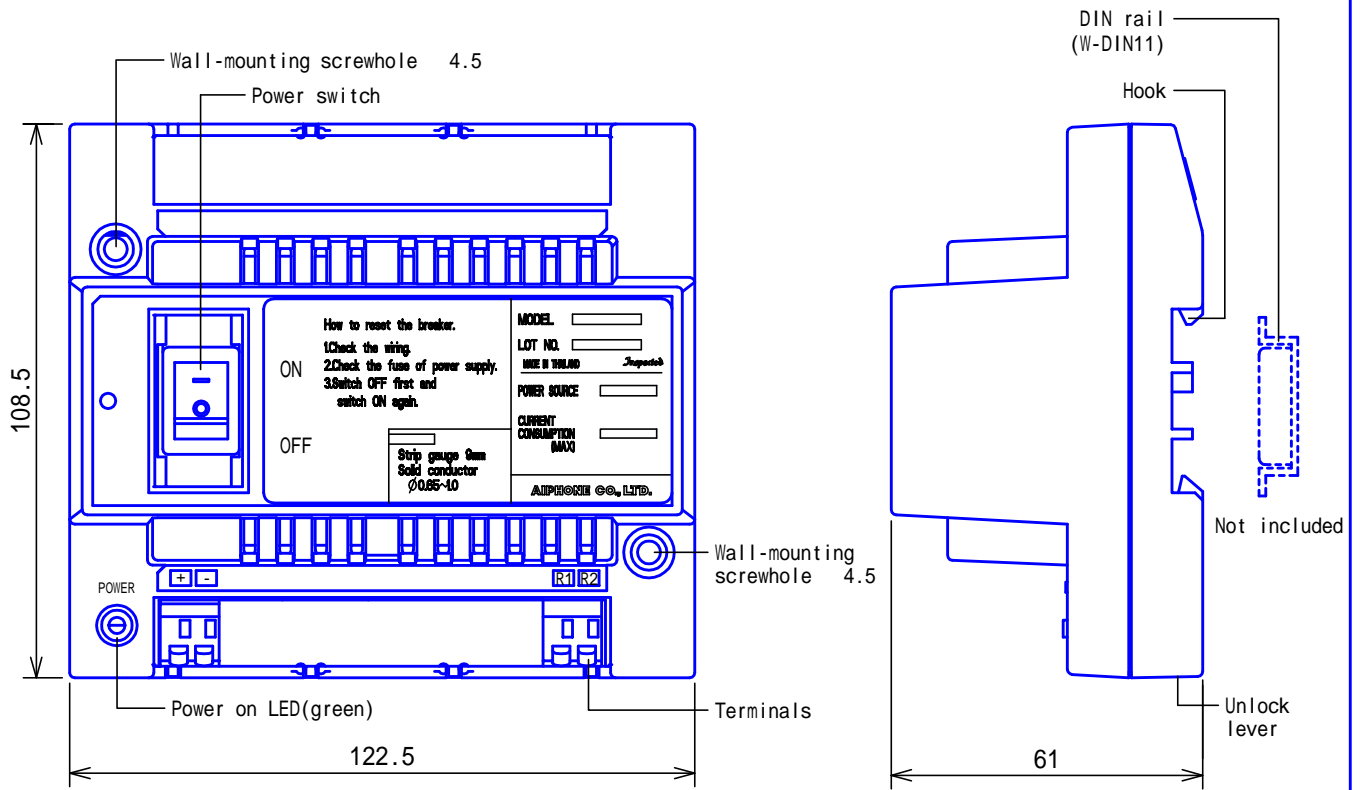
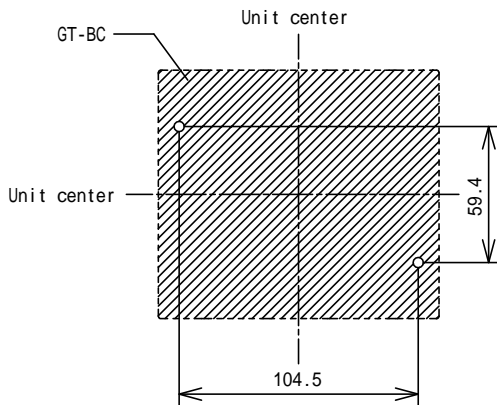


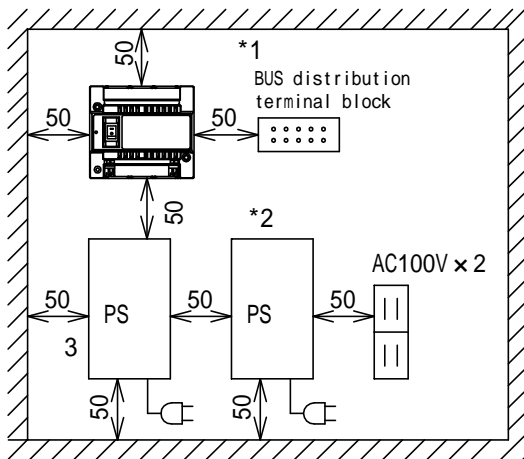
PRODUCT DRAWING



MOUNTING



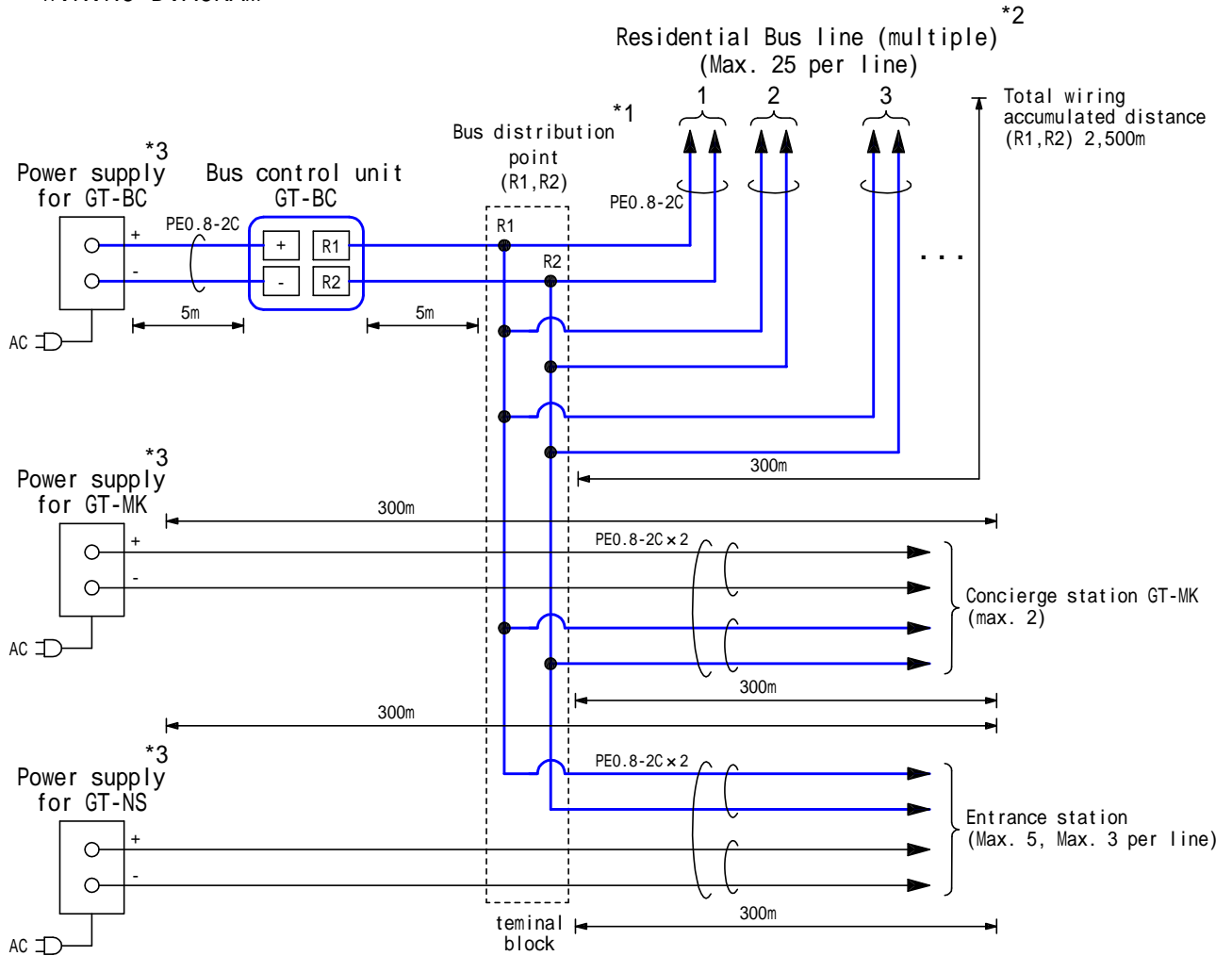
As shown below, it is suggested to mount Bus control unit (GT-BC) along with a 24V DC power supply(ies) and terminal block(BUS distribution) on the panel inside an enclosure box.



- *1: Locally available with 5-paired terminals or more
- *2: PS 1 : PS-2420/S/UL/DIN for GT-BC, Bus control unit
PS 2 : PS-2420/S/UL/DIN for GT Digital Entrance station
- *3: Keep a space of 50mm or more between the walls, and between the units for heat radiation and servicing purpose.

DESCRIPTION BUS CONTROL UNIT	FIG. NAME PRODUCT DRAWING	UNIT mm	DATE 11 March, 2011
MODEL NO. GT-BC	FIG.NO. G57460-1-3	PAGE 1/3	REVISION 1
			AIPHONE

WIRING DIAGRAM



- *1: Employ the terminal block for Bus distribution, which shall be located in proximity of the Bus control unit (within 5m).
- *2: No restriction on branching after Bus distribution point, provided that a joint box or the like must be installed for lead-in to Residence for maintenance. No branching at Master station allowed.
- *3: Power supply: PS-2420, PS-2420S, PS-2420UL, PS-2420DIN
- PE: PVC-coated cable

RESTRICTIONS

Max. 300m from the Bus control unit (GT-BC) and the farthest Residential station per Bus line.
 Mounting location shall be accessible for servicing (never in such a place as attic, etc.)

DESCRIPTION BUS CONTROL UNIT	FIG. NAME WIRING/RESTRICTIONS	UNIT mm	DATE 11 March, 2011
MODEL NO. GT-BC	FIG.NO. G57460-2-3	PAGE 2/3	REVISION 1
			AIPHONE

FUNCTIONS

Controls both data signals and audio signals.

Main functions that depend on the system and the old and new system compatibility list

Old and new system compatibility list	The existing entrance stations and the new system	The existing security guard stations and the new system	The existing residential stations and the new system	The new entrance stations and the old system	The new security guard stations and the old system	The new residential stations and the old system
Zoom/wide and pan & tilt	—	○	—	—	—	—
Video image adjusting function for viewability	—	○	—	—	—	—
Calling a security guard station individually	○	○	—	—	—	○
Absence call-in records from the security guard station	○	—	—	—	—	—
Releasing the door while being called-in	—	○	—	—	—	—
Switching the security camera	—	○	○	○	—	—

From the old system to new system, transferring link information should be not performed.

SPECIFICATIONS

Power source	DC 24V. Use a PS-2420/S/UL/DIN power supply.		
Power consumption	0.9A		
Mounting	Surface wall mounting or DIN rail(W-DIN11)		
Housing	Fire-retardant ABS plastic		
Weight	450g(approx.)		
Unit color	Middle gray(N6.4 Munsell Approximation)		
Capacity	Entrance station	Standard system: Max. 5 (Max. 3 per Bus line)	
		Extended system: Max. 16 per common line (Max. 3 per Bus line)	
	Residential station	Standard system: Max. 48 (Max. 25 per Bus line)	
		Extended system: Max. 125 per sub line (Max. 25 per Bus line)	
Concierge station	Standard system: Max. 2		
	Extended system: Max. 2 per common line		
DESCRIPTION	FIG. NAME	UNIT	DATE
BUS CONTROL UNIT	SPECIFICATIONS/FUNC.	mm	November 7, 2011
MODEL NO.	FIG.NO.	PAGE	REVISION
GT-BC	G57460-3-3	3/3	2
			AIPHONE