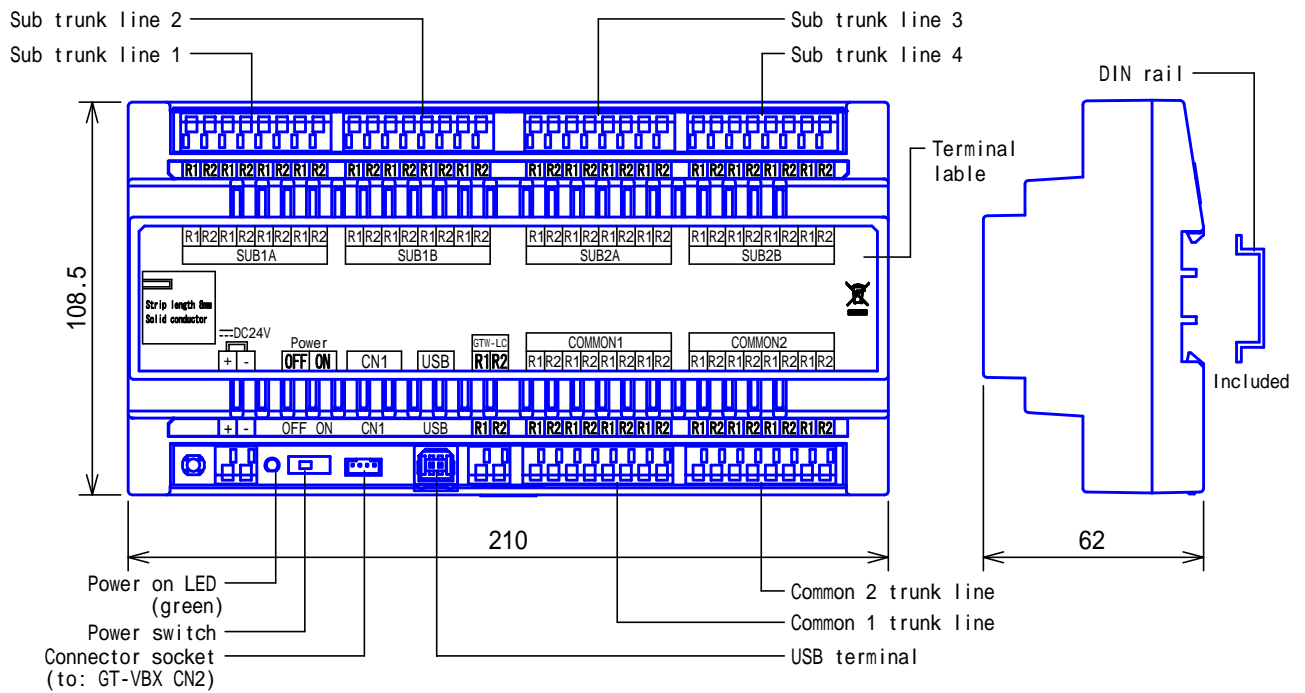


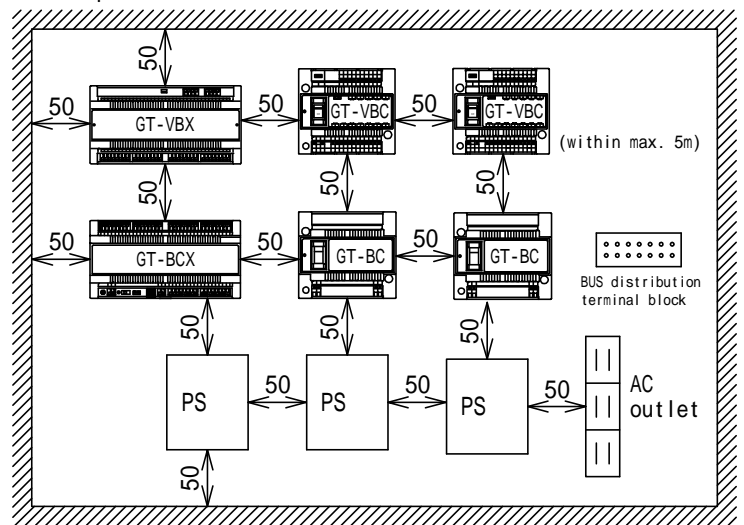
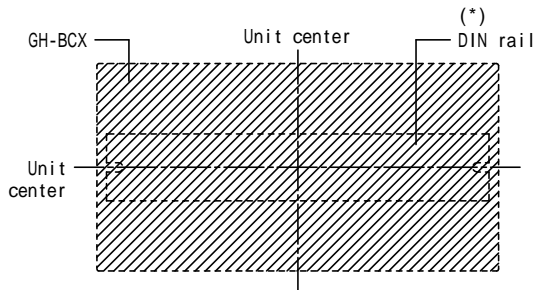
# PRODUCT DRAWING



As shown below, it is suggested to mount the Expanded Bus control unit & Expanded video control unit, along with Common trunk line 1, 2 Bus control units, Power supplies on the panel inside an enclosure box.

## MOUNTING

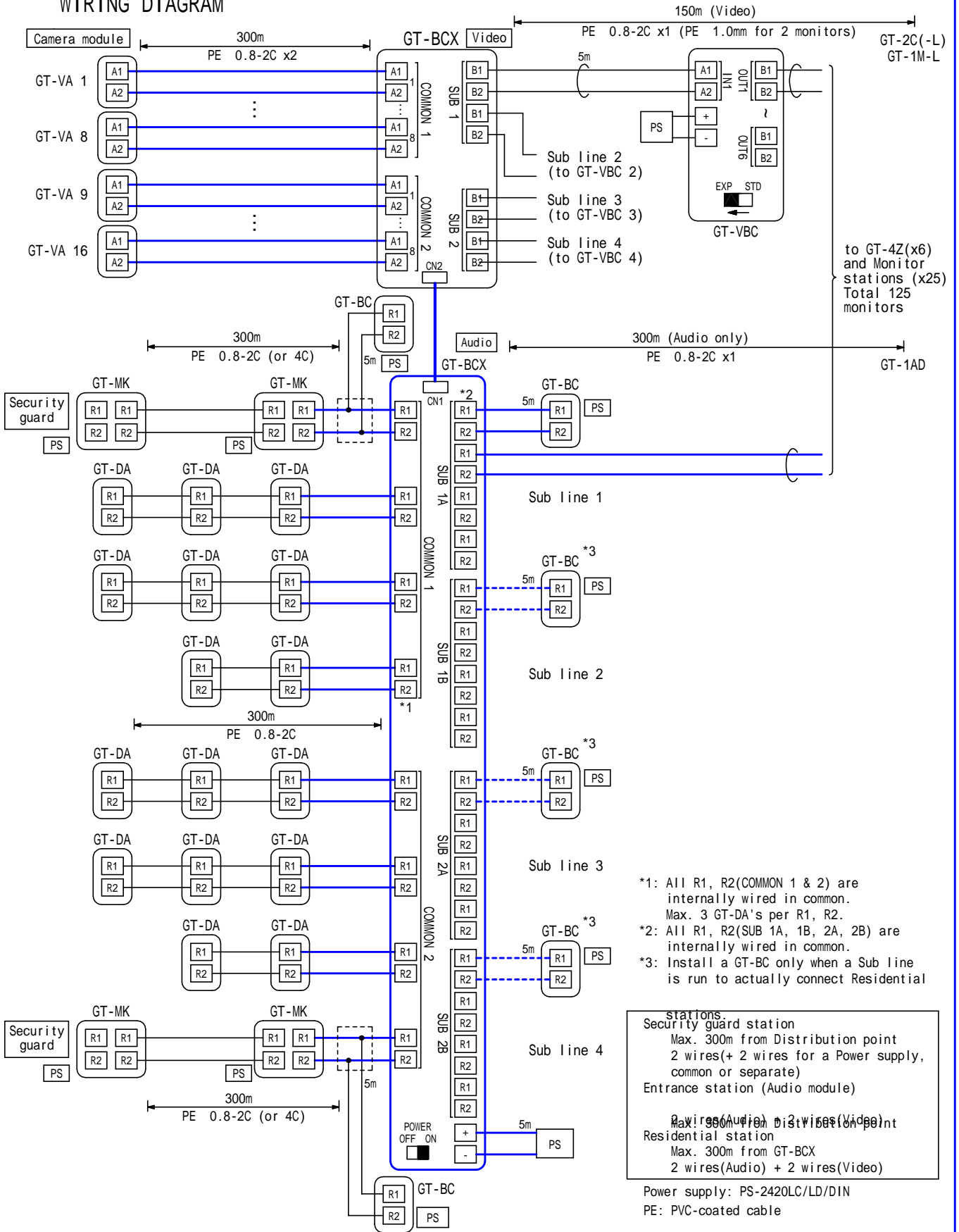
• Mounting on wall surface



PS 1: PS-2420/S/UL/DIN for GT-BCX, Expanded Bus control unit  
 PS 2 & 3: PS-2420/S/UL/DIN for GT-BC's, Common trunk 1 & 2 Bus control units  
 \* Keep a space of 50mm or more between the walls, and between the units for heat radiation and servicing purpose.

DESCRIPTION EXPANDED BUS CONTROL UNIT	FIG. NAME PRODUCT DRAWING	UNIT mm	DATE 11 March, 2011
MODEL NO. GT-BCX	FIG.NO. G57471-1-3	PAGE 1/3	REVISION 1
			<b>AIPHONE</b>

# WIRING DIAGRAM



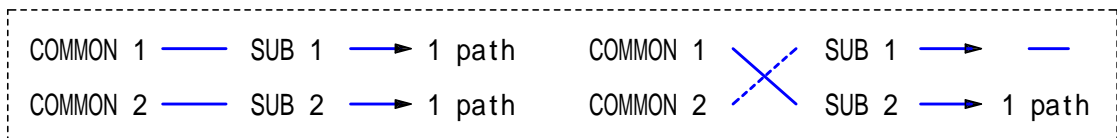
DESCRIPTION	FIG. NAME	UNIT	DATE
EXPANDED BUS CONTROL UNIT	WIRING DIAGRAM	mm	11 March, 2011
MODEL NO.	FIG.NO.	PAGE	REVISION
GT-BCX	G57471-2-3	2/3	1

## RESTRICTIONS

Max. 300m from Expanded Bus control unit to GT Entrance station  
 Total wiring distance shall not exceed 2,500m accumulated for each Common & Sub trunk line  
 Common: Max. 2 lines (to Entrances)  
 Sub : Max. 4 lines (to Residences)  
 Mounting location shall be accessible or servicing (never in such a place as attic, etc.)

## FUNCTIONS

Controls both data signals and audio signals for all communications between any pair of Stations (Entrance, Security guard & Residential stations).  
 Provides two talk/video paths when a calling is made from an Entrance on each identical COMMON-SUB line. When the calling is crossed over, or a Security guard station is engaged, the entire system is occupied with a single line used.



## SPECIFICATIONS

Power source	DC 24V. Use a power supply PS-2420LC/LD/DIN.		
Current consumption	0.35A		
Trunk line capacity	Common area: 16 (Entrance). 4 (Security guard station). Residential area: 4 (Sub line), each w/125 Residential stations. (Total: 500 Stations)		
Mounting	DIN rail locally available		
Housing	Fire-retardant ABS plastic		
Unit color	Middle gray (N6.4 Munsell Approximation)		
Weight	380g(approx.)		
Remarks	Used for: Expanded GT system		
DESCRIPTION	FIG. NAME	UNIT	DATE
EXPANDED BUS CONTROL UNIT	SPEC./RESTR./FCN.	mm	11 March, 2011
MODEL NO.	FIG.NO.	PAGE	REVISION
GT-BCX	G57471-3-3	3/3	1
			<b>AIPHONE</b>