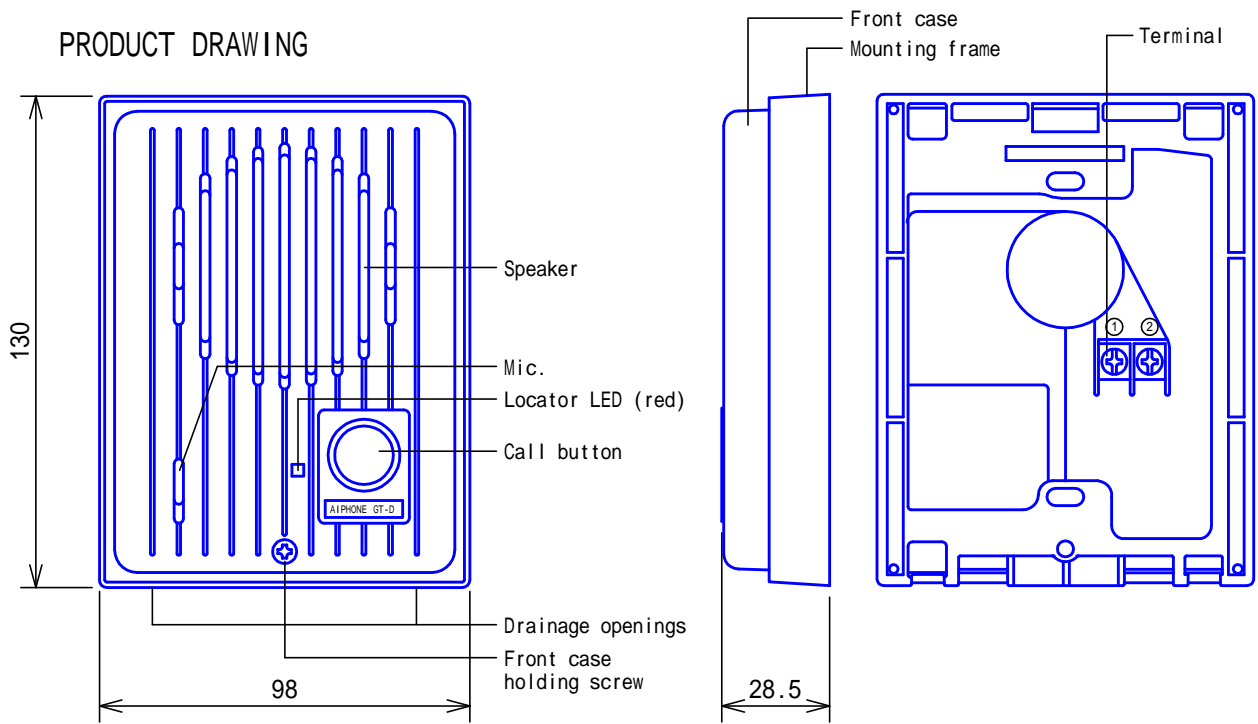
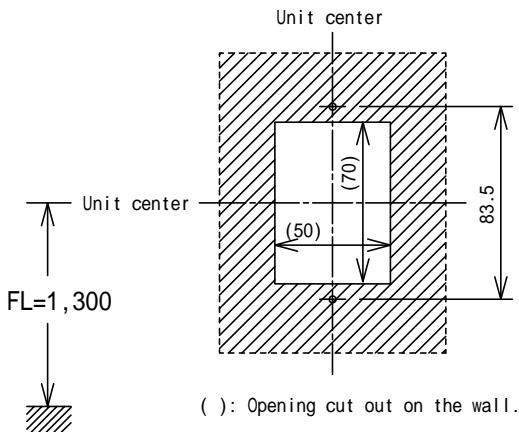


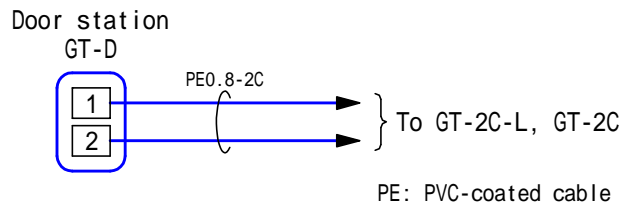
PRODUCT DRAWING



MOUNTING



WIRING DIAGRAM



For wiring distance range, refer to the Residential station to be connected.

RESTRICTIONS

Water escape holes on bottom must not be covered with caulking seals.

FUNCTIONS

Calling and communicating with Residential station by pressing Call button.
Locator LED lit in red while Residential station is being powered

SPECIFICATIONS

Power source	Supplied from Residential station		
Type of communication	Open voice handsfree communication		
Mounting	Surface wall-mount		
Electrical box	Single-gang box		
Housing	Fire-retardant PC+PS plastic		
Weight	200g(approx.)		
Unit color	Chocolate brown (10YR2/2 Munsell Approximation)		
Remarks	Weather-resistant (Complies with JIS C 0920 IPX 3)		
DESCRIPTION DOOR STATION	FIG. NAME PRODUCT/SPEC./WIRING/RESTRIC./FUNC.	UNIT mm	DATE 11 March, 2011
MODEL NO. GT-D	FIG.NO. G57686-1-1	PAGE 1/1	REVISION 1

AIPHONE