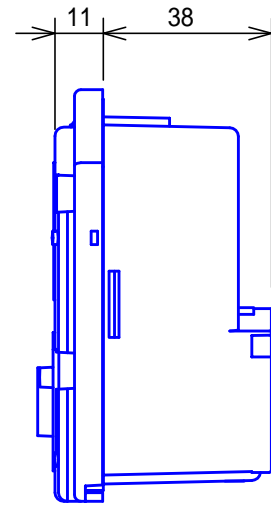
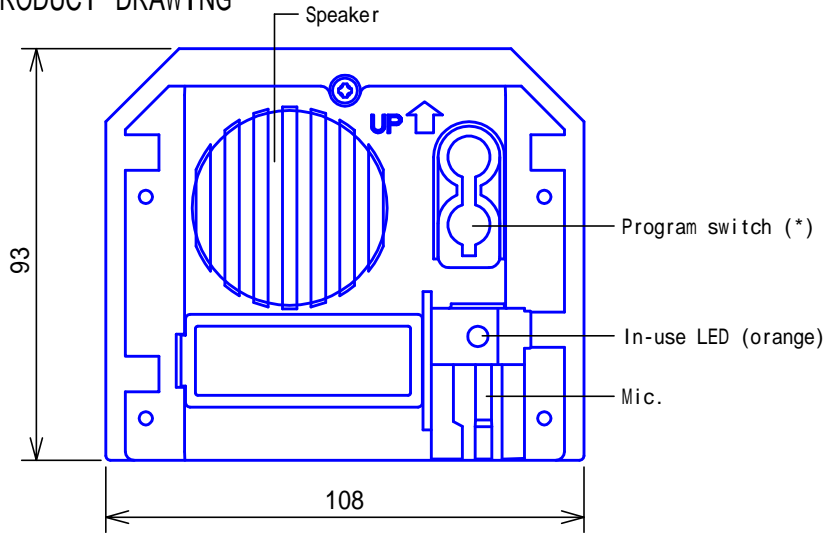
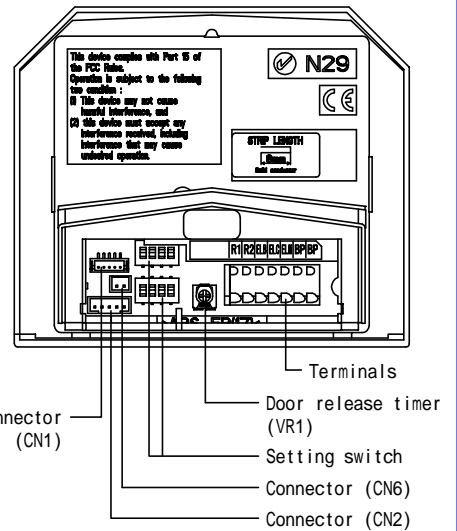
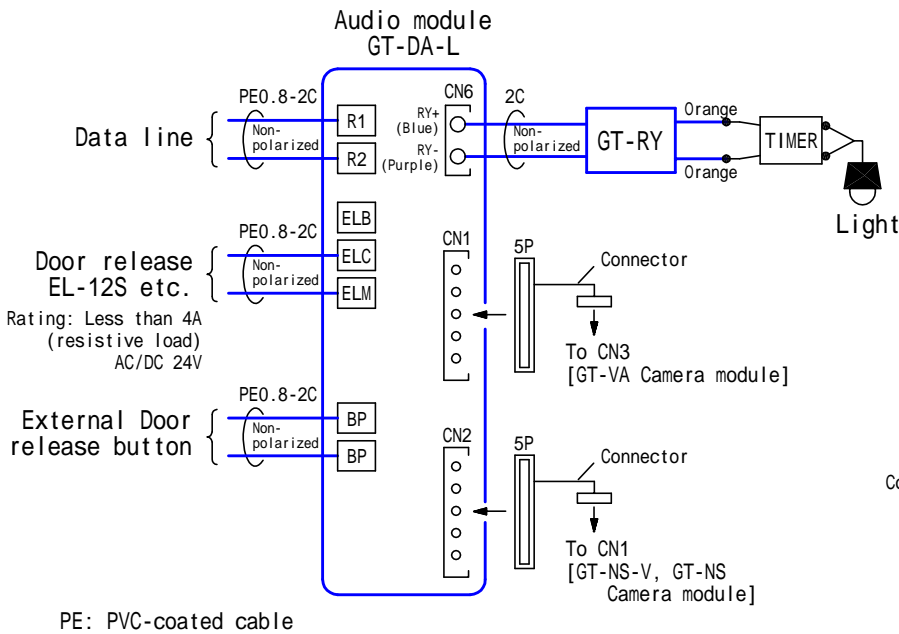


PRODUCT DRAWING



(\*) For linking entrance station with residential stations.

WIRING DIAGRAM



SPECIFICATIONS

Mounting	Mounts on mounting bracket (*) (*) Supplied w/.GF-2F, GF-3F, GT-4F Front frame.		
Weight	160g(approx.)		
Capacity	Standard GT: 5 (Door) Extended GT: 16 (Door)		
Type of cable	2-conductor cable solid copper & non-braided, PE insulation, 0.65mm dia. ~1.0mm dia.		
Housing	Fire-retardant ABS plastic		
Remarks	Used with: GT-DP-L panel		

DESCRIPTION <b>AUDIO MODULE</b>	FIG. NAME <b>PRODUCT/SPEC./WIRING</b>		UNIT mm	DATE 11 March, 2011
MODEL NO. <b>GT-DA-L</b>	FIG.NO. G57330-1-1	PAGE 1/1	REVISION 1	<b>AIPHONE</b>