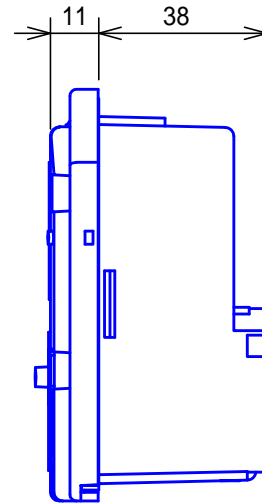
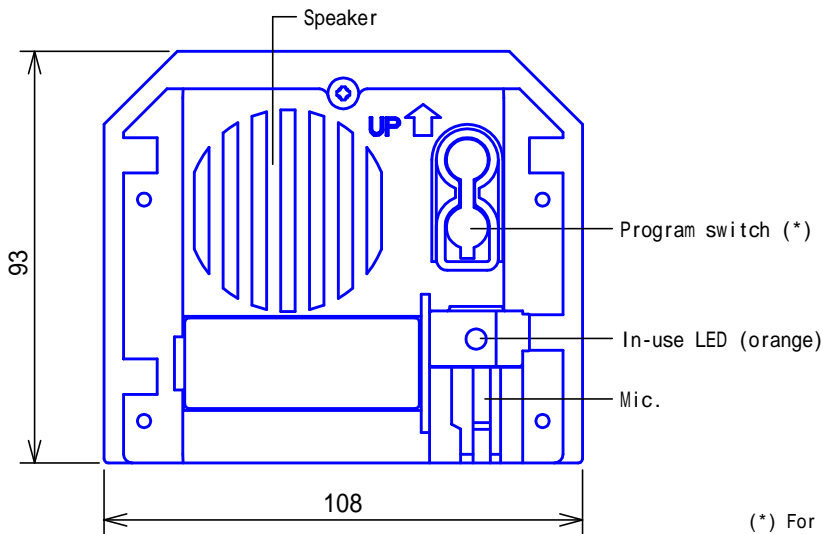
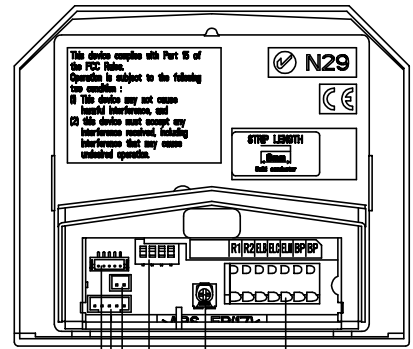
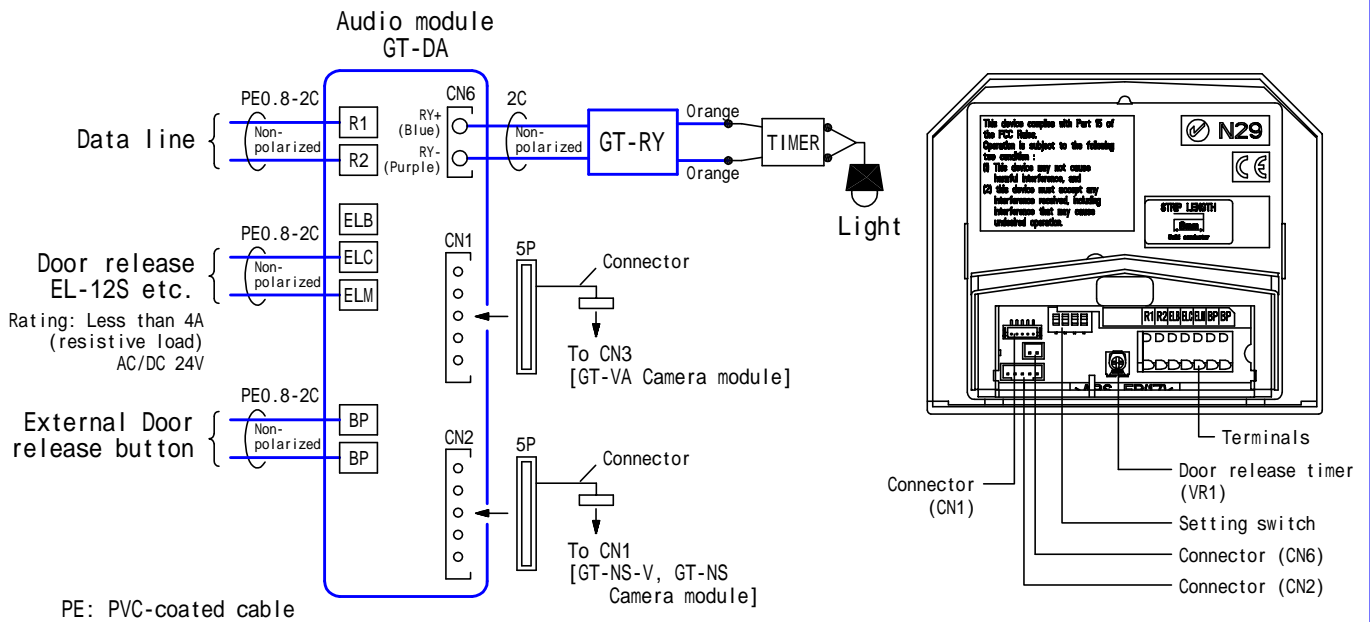


PRODUCT DRAWING



(*) For linking entrance station with residential stations.

WIRING DIAGRAM



SPECIFICATIONS

| | | | |
|---------------|---|--|--|
| Mounting | Mounts on mounting bracket (*) (*) Supplied w/.GF-2F、GF-3F、GT-4F Front frame. | | |
| Weight | 150g(approx.) | | |
| Capacity | Standard GT: 5 (Door) Extended GT: 16 (Door) | | |
| Type of cable | 2-conductor cable solid copper & non-braided, PE insulation, 0.65mm dia. ~1.0mm dia. | | |
| Housing | Fire-retardant ABS plastic | | |
| Remarks | Used with: GT-DP panel | | |

| | | | | |
|------------------------------------|--|-------------|---------------|------------------------|
| DESCRIPTION AUDIO MODULE | FIG. NAME PRODUCT/SPEC./WIRING | | UNIT mm | DATE 11 March, 2011 |
| MODEL NO. GT-DA | FIG.NO. G57341-1-1 | PAGE 1/1 | REVISION 1 | AIPHONE |