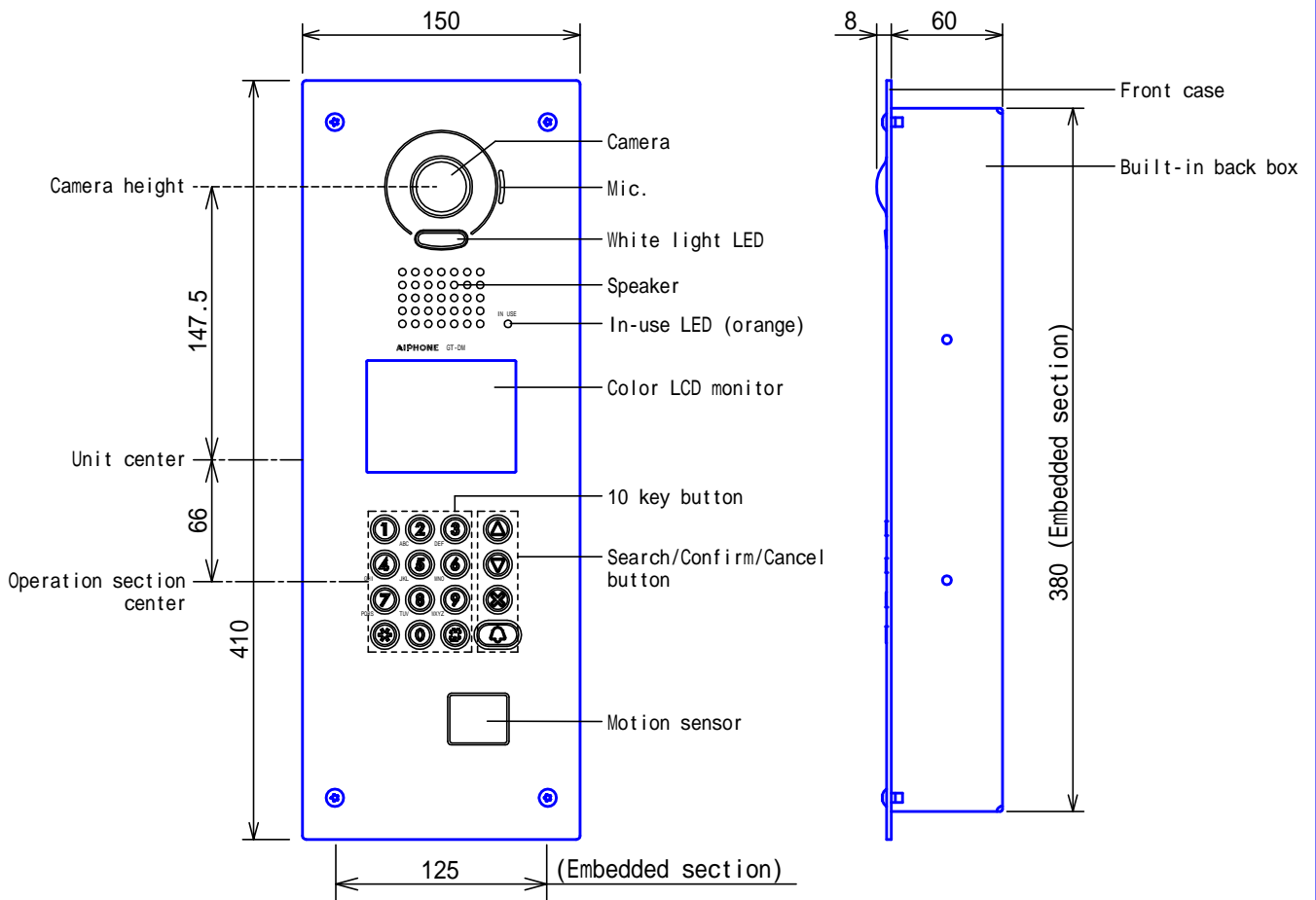
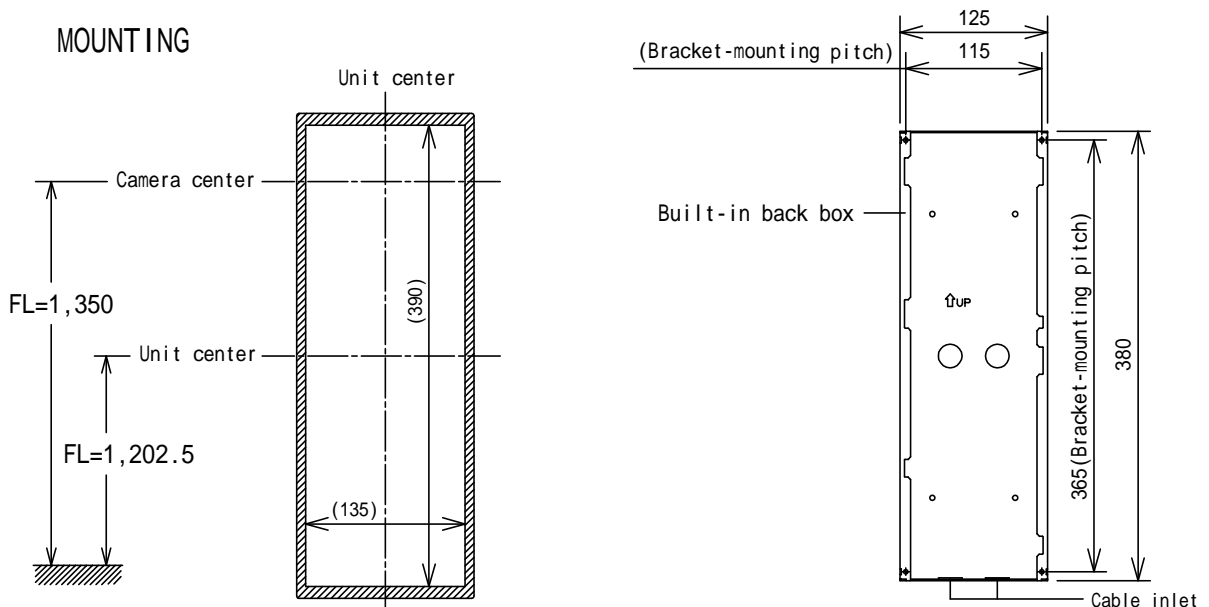


PRODUCT DRAWING



MOUNTING

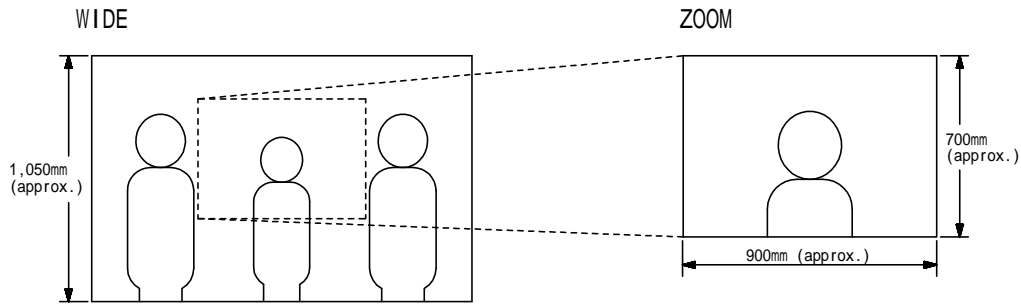


(): Opening cut out on the wall for the built-in back box.

Built-in back box size; 380(H) x 125(W) x 60(D)

DESCRIPTION ENTRANCE STATION WITH VIDEO CAMERA	FIG. NAME PRODUCT DRAWING	UNIT mm	DATE 11 March, 2011
MODEL NO. GT-DM	FIG.NO. G57501-1-4	PAGE 1/4	REVISION 1
			AIPHONE

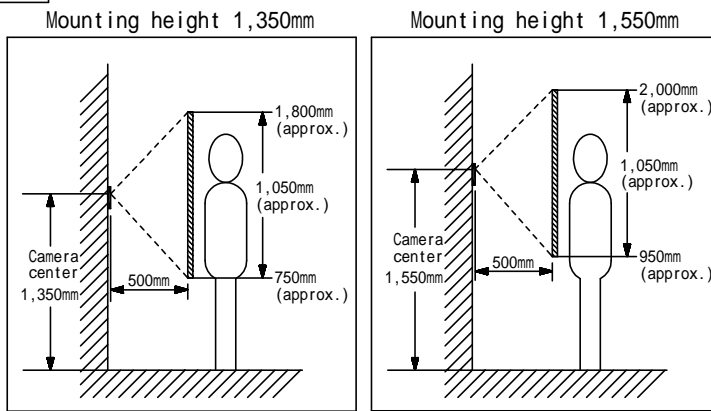
IMAGE VIEW AREA & MOUNTING HEIGHT



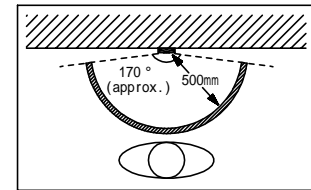
Objects appear smaller due to greater distortion in the surrounding sections compared to the central section, but a wider area is displayed.
Image view area depends on the camera zoom position.

WIDE

Vertical

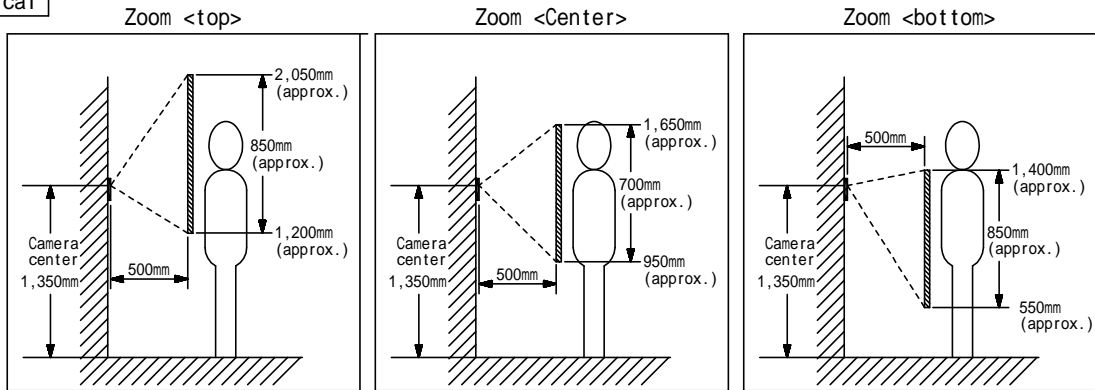


Horizontal

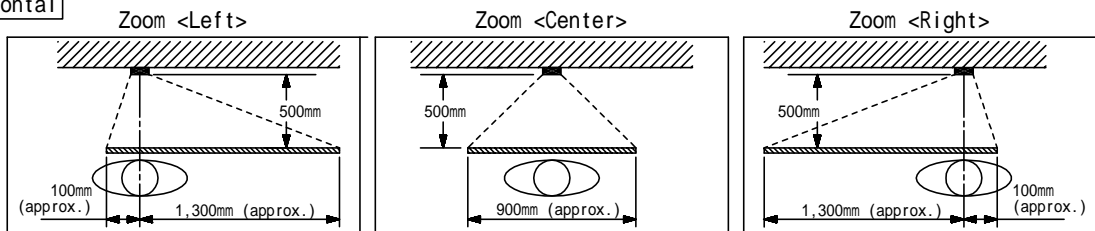


ZOOM (Mounting height 1,350mm)

Vertical

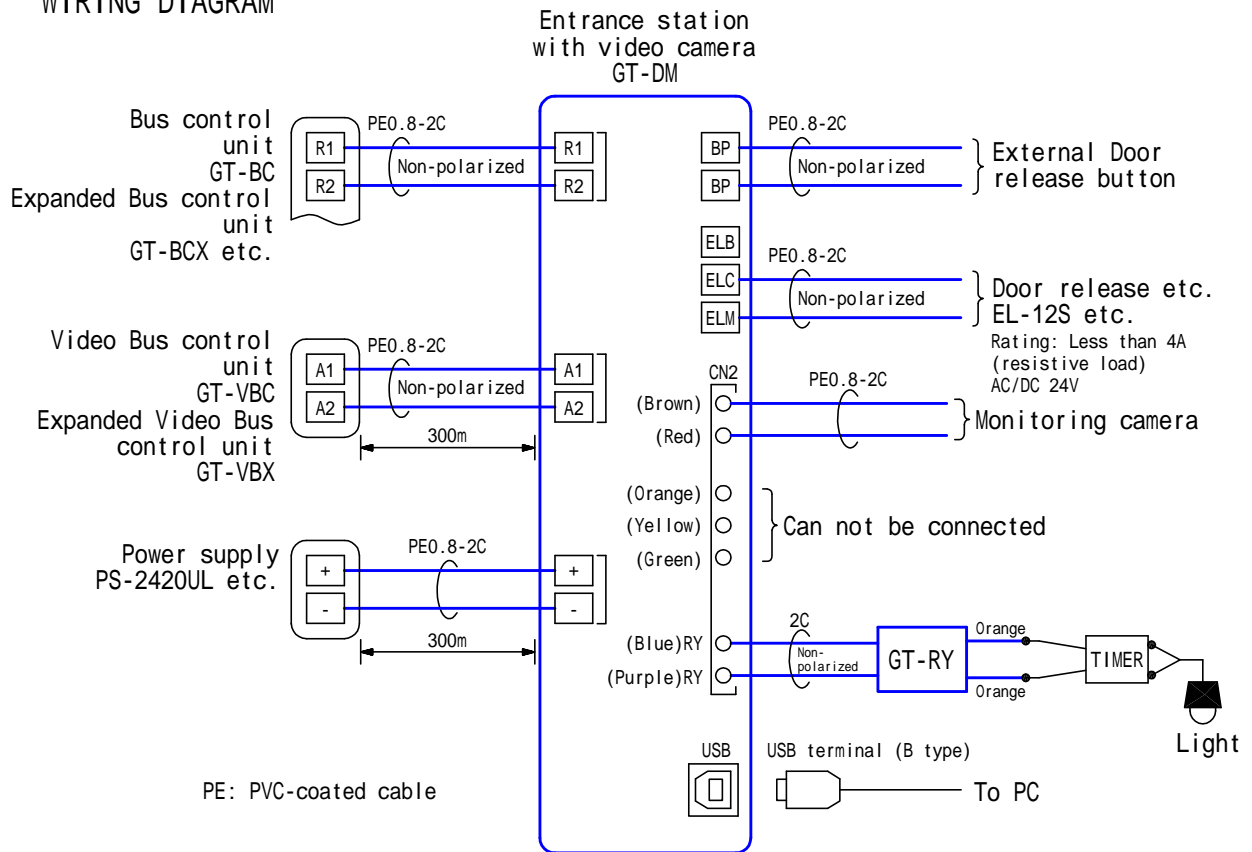


Horizontal



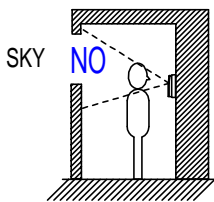
DESCRIPTION ENTRANCE STATION WITH VIDEO CAMERA	FIG. NAME IMAGE VIEW AREA	UNIT mm	DATE 11 March, 2011
MODEL NO. GT-DM	FIG.NO. G57501-2-4	PAGE 2/4	REVISION 1
			AIPHONE

WIRING DIAGRAM

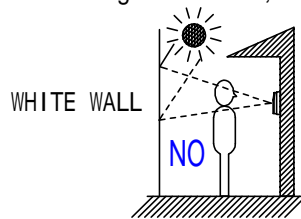


RESTRICTIONS

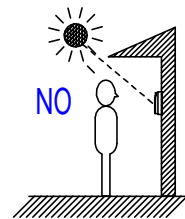
- Water escape holes on bottom must not be covered with caulking seals.
- Run audio, video and power wire in each separate cable.
- Wiring for the monitoring camera should be separated from other wiring.
(Not separating the wiring may result in degradation of image quality.)
- Install vertically (If it is installed slanted, motion sensor may not function.)
- Avoid to install GT-DM in the following locations;



At the Entrance where background is sky in upper floors of Condominiums, etc.



The background of the standing caller's is white wall.

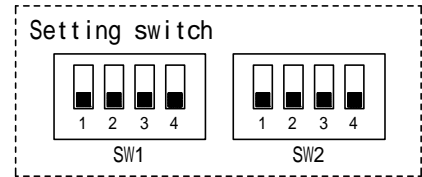


Where the standing location is strongly sunlit.

FUNCTIONS

- Calling/communicating with/image checking (with guidance) with Residential station.
- Activating door release by a Residential station(s)
- Setting or releasing linkage with a Residential station(s)
- Name search
- Motion-sensor-activated auto ON function of display.
- Operation message display function
- Picture display function

DESCRIPTION ENTRANCE STATION WITH VIDEO CAMERA	FIG. NAME WIRING/RESTRIC./FUNC.	UNIT mm	DATE 11 March, 2011
MODEL NO. GT-DM	FIG.NO. G57501-3-4	PAGE 3/4	REVISION 1
			AIPHONE



SETTING

Night illumination set (enable/disable)	SW1-1
Entrance station ID (#1 to 8)	SW1-2 ~ 4
Equipment reset release (enable/disable).....	SW2-1
Display mode (sensor mode/energy-saving mode)	SW2-2 ~ 3
Concierge number reset (OFF/ON)	SW2-4
Motion sensor adjustment (5 levels)	Person feeling sensor adjustment switch

<Menu Screen Setting>

- Selection of language (English/French/German/Spanish/Dutch/Italian)
- Audio guidance language setting
(No guidance/English/French/Spanish/Dutch/German/Italian)
- ID code setting
- Access code (Max. 500, 4 digits to 6 digits)
- Residents information write
- Operation timer (15 sec. to 99 sec.)
- Program timer (30 sec. to 99 sec.)
- Call duration (30 sec. to 99 sec.)
- Door release time setting (0 sec. to 20 sec.)
- Link setting
- Camera preset
- Link forwarding
- Link confirmation
- Entrance station monitor enable/disable
- Call in display
([Z](Zoom)/[W](Wide)/[Z3 W](Zoom 3 Wide)/[W3 Z](Wide 3 Zoom))
- Room number display setting
- Standby screen setting (Greeting/Operation/Picture)
- Monitoring camera switch (OFF: Light control/ON: Monitoring camera switch)
- BRIGHT control (10 levels)
- Scroll speed (10 levels)
- Sort setting (Name order/Room number order)
- Greeting message change (160 characters)

SPECIFICATIONS

Power source	DC 24V (supplied by a power supply PS-2420UL etc.)		
Video-monitor	3-1/2" TFT color LCD		
Current consumption	90mA		
Camera	1/4 inch color CMOS		
Type of communication	Open voice handsfree communication		
Ambient temperature	-10 ~ +60		
Mounting	Flush wall-mount (Built-in back box: GT-DMVBOX)		
Housing	Stainless steel		
Weight	3Kg (approx.)		
Unit color	Stainless steel with hairline finishing		
Remarks	Weather-resistant		

DESCRIPTION	FIG. NAME	UNIT	DATE
ENTRANCE STATION WITH VIDEO CAMERA	SPECIFICATIONS/SETTING	mm	11 March, 2011
MODEL NO.	FIG.NO.	PAGE	REVISION
GT-DM	G57501-4-4	4/4	1

AIPHONE