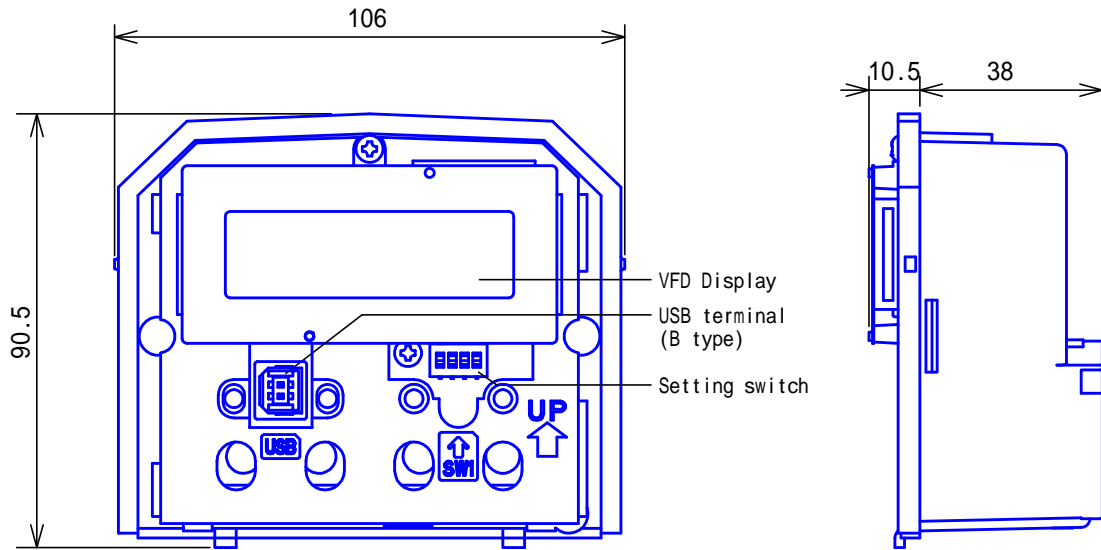
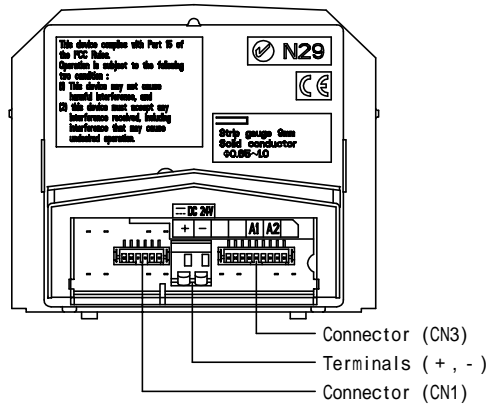


# PRODUCT DRAWING



# REAR VIEW



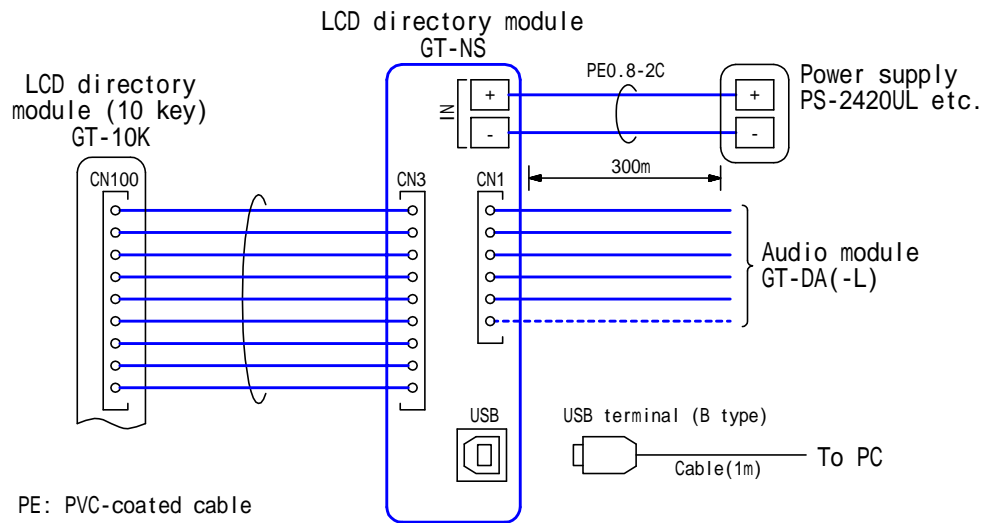
# SPECIFICATIONS

Mounting	Mounts on mounting bracket (*) (* ) Supplied w/.GF-2F, GF-3F, GT-4F Front frame.
Power source	DC 24V, supplied by a power supply PS-2420UL etc.
Current consumption	90mA
Wiring	Two single-pair cables common
Housing	Fire-retardant ABS plastic
Type of cable	2-conductor cable solid copper & non-braided, PE insulation, 0.65mm dia. ~1.0mm dia.
Weight	150g(approx.)
Remarks	Used with: GT-NSP-L panel

DESCRIPTION <b>LCD DIRECTORY MODULE</b>	FIG. NAME <b>PRODUCT/SPECIFICATIONS</b>	UNIT mm	DATE 11 March, 2011
MODEL NO. <b>GT-NS</b>	FIG.NO. G57385-1-2	PAGE 1/2	REVISION 1

**AIPHONE**

# WIRING DIAGRAM

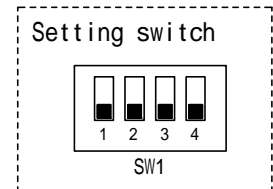


## FUNCTIONS

- Name search
- Calling Residential station by pressing Call button.
- Cancelling call by pressing Cancel button.

## SETTING

- Concierge number reset (OFF/ON)..... SW1-1
- Room number not displayed (Display/Non-display)..... SW1-2
- Message setting (Greeting/Operation) ..... SW1-3
- Equipment reset release (enable/disable) ..... SW1-4



DESCRIPTION <b>LCD DIRECTORY MODULE</b>	FIG. NAME <b>WIRING/FUNC./SETTING</b>	UNIT mm	DATE 11 March, 2011
MODEL NO. <b>GT-NS</b>	FIG.NO. G57385-2-2	PAGE 2/2	REVISION 1
			<b>AIPHONE</b>