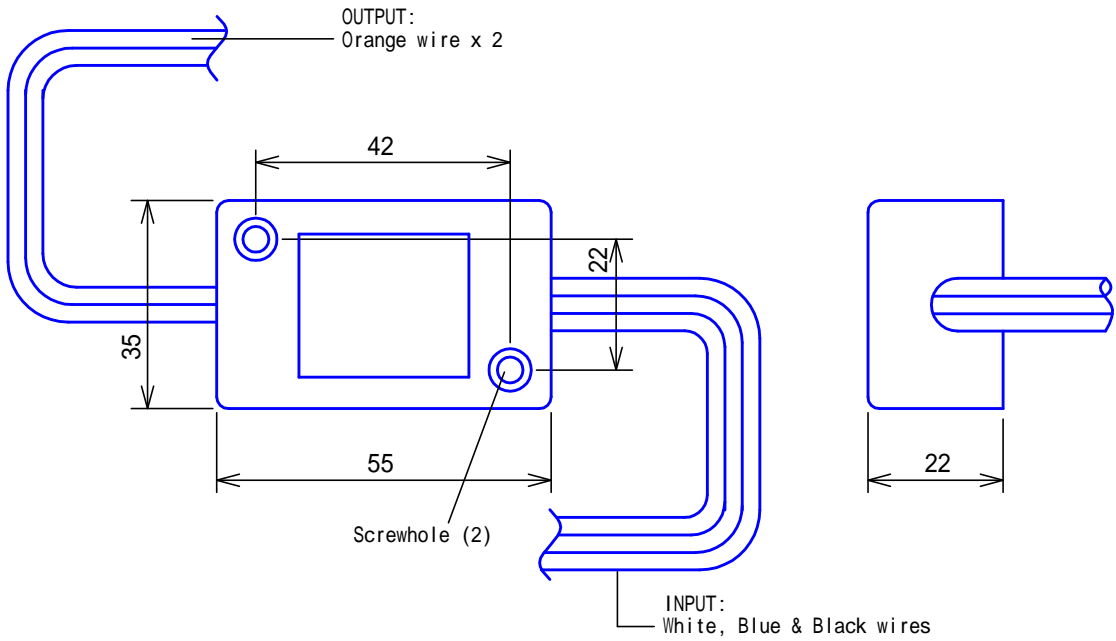


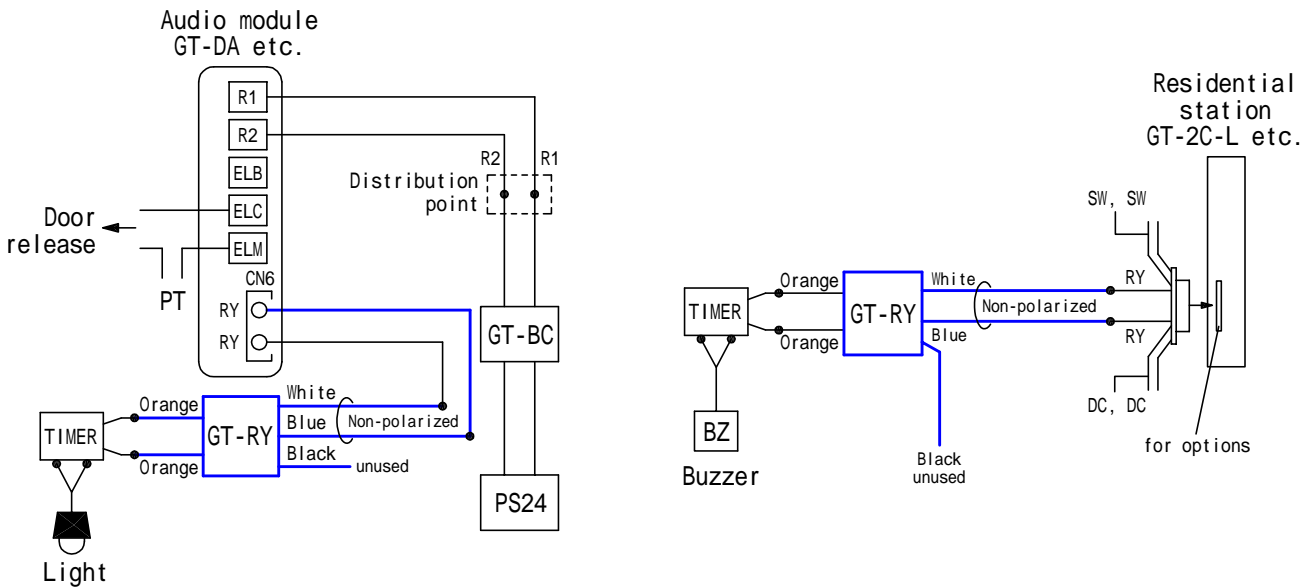
PRODUCT DRAWING



WIRING DIAGRAM

• Entrance light control

• Additional buzzer at Residential station



SPECIFICATIONS

Power source	DC 24V		
Contact ratings	Semi-conductor AC 24V, 0.5A. DC 24V, 0.5A.		
Operations	When a GT Entrance station has called, the Entrance light turns on, and is maintained until the Residential station terminates communication. When a GT Entrance or Security guard station has called, buzzer sounds for approx. 10 sec. as well as an ordinary call tone.		
Remarks	One GT-RY required for each Entrance station.		
DESCRIPTION AUXILIARY LIGHT RELAY	FIG. NAME PRODUCT/SPEC./WIRING	UNIT mm	DATE 23 August, 2011
MODEL NO. GT-RY	FIG.NO. G57567-1-1	PAGE 1/1	REVISION 1

AIPHONE