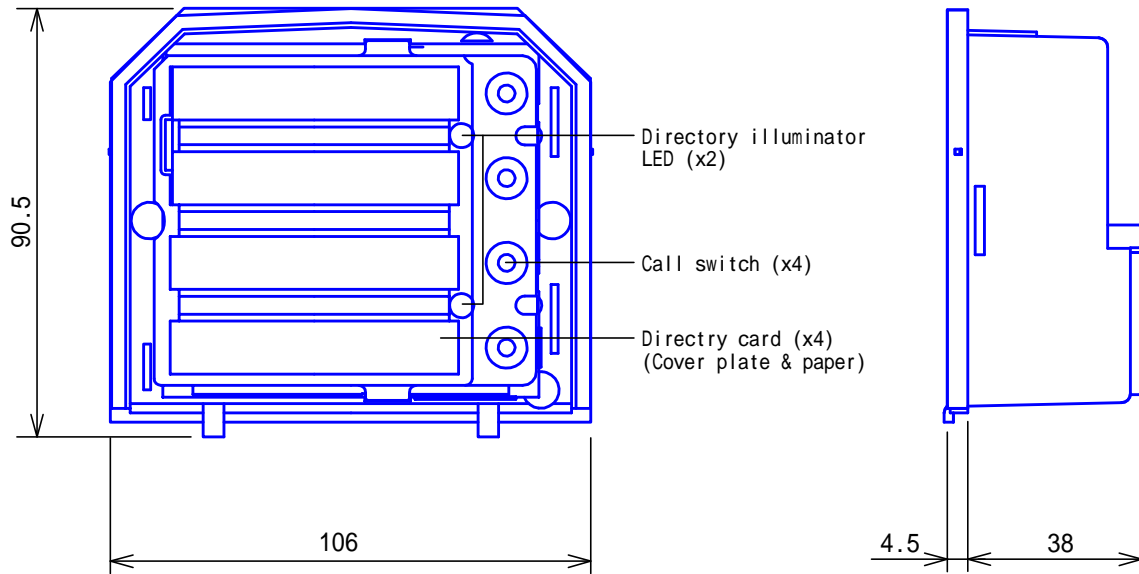
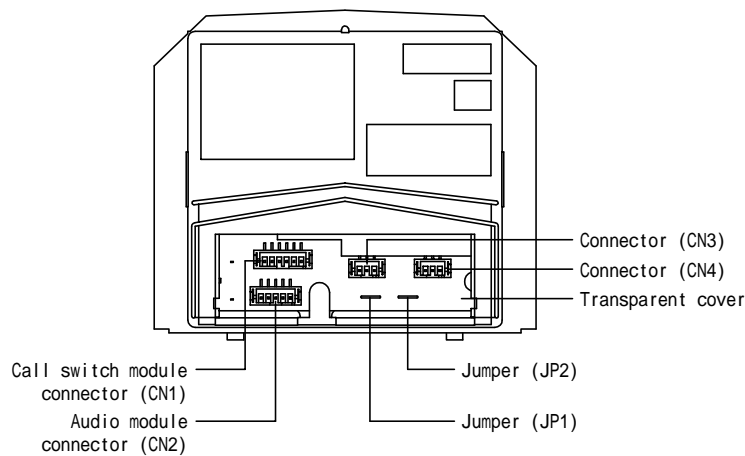


PRODUCT DRAWING



REAR VIEW



SPECIFICATIONS

Mounting	Mounts on mounting bracket (*) (*) Supplied w/.GF-2F, GF-3F, GT-4F Front frame.		
Capacity	100-call button (on Direct-select Entrance station)		
Housing	Fire-retardant ABS plastic		
Illuminator LED color	Yellow LED		
Weight	90g (approx.)		
Remarks	Used with: GF-1P, 2P, 3P, 4P		
DESCRIPTION CALL SWITCH MODULE	FIG. NAME PRODUCT/SPECIFICATIONS	UNIT mm	DATE 11 March, 2011
MODEL NO. GT-SW	FIG.NO. G57404-1-1	PAGE 1/1	REVISION 1

AIPHONE