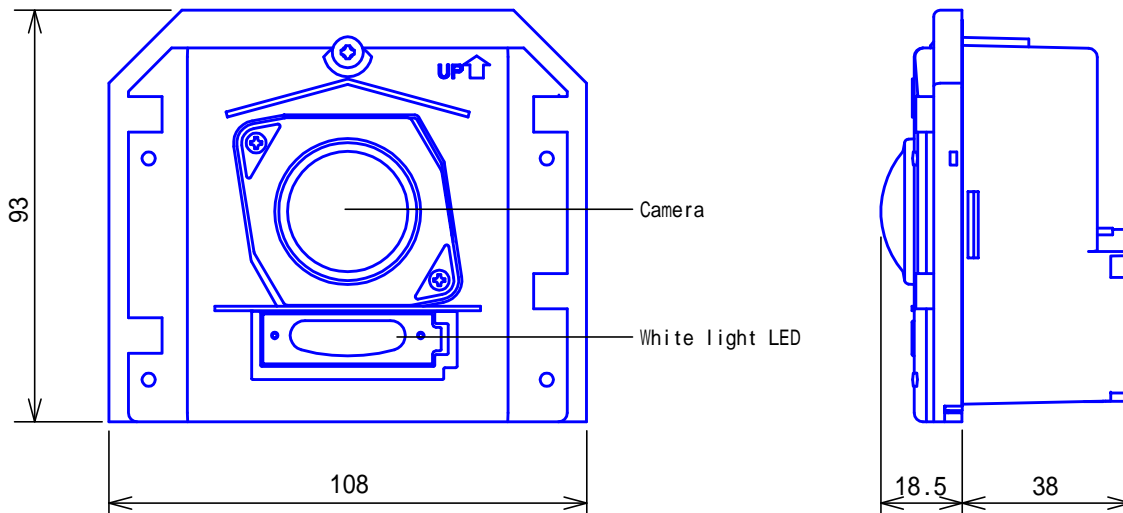
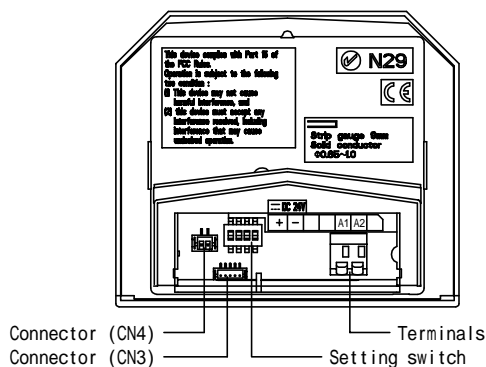


PRODUCT DRAWING



REAR VIEW



RESTRICTIONS

Wiring for the monitoring camera should be separated from other wiring.
(Not separating the wiring may result in degradation of image quality.)

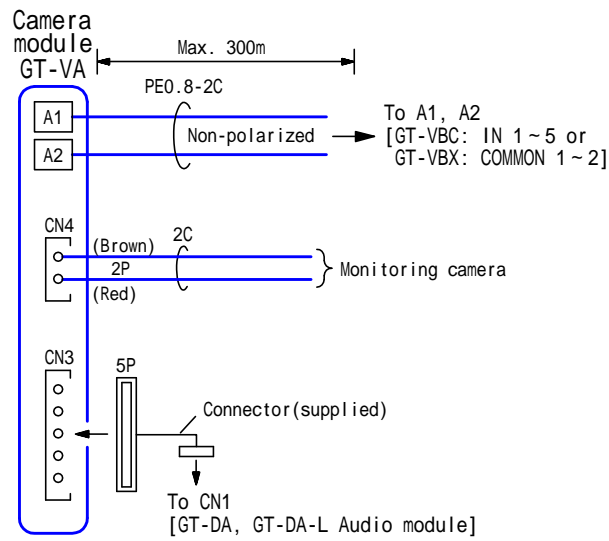
SPECIFICATIONS

Camera source	Supplied from GT-VBC or GT-VBX
	1/4 inch color CMOS
Mounting	Mounts on mounting bracket (*) (*) Supplied w/GF-2F, GF-3F, GT-4F Front frame.
Housing	Fire-retardant ABS plastic
Weight	140g(approx.)
Capacity	Standard GT: 5 (Door) Extended GT: 16 (Door)
Type of cable	2-conductor cable solid copper & non-braided, PE insulation, 0.65mm dia. ~1.0mm dia.
Remarks	Used with: GT-VP panel

DESCRIPTION CAMERA MODULE	FIG. NAME PRODUCT/RESTRIC./SPEC.	UNIT mm	DATE 11 March, 2011
MODEL NO. GT-VA	FIG.NO. G57363-1-3	PAGE 1/3	REVISION 1

AIPHONE

WIRING DIAGRAM



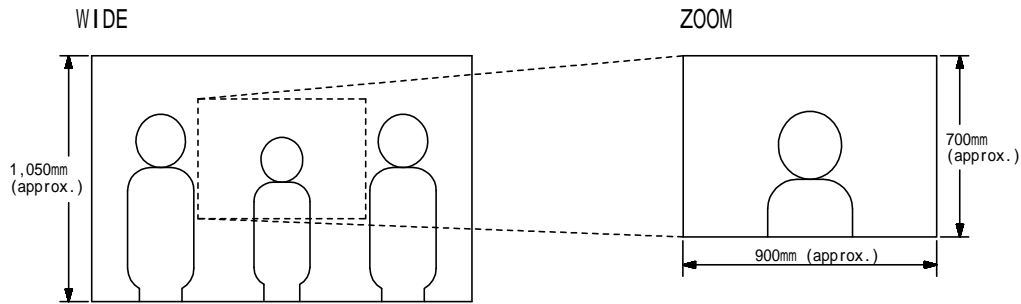
PE: PVC-coated cable

SETTING

Night illumination set (enable/disable) SW1-1
 Monitoring camera switch (Light control/Monitoring camera switch) SW1-2
 Call in display SW1-3,4
 ([Z](Zoom)/[W](Wide)/[Z3 W](Zoom 3 Wide)/[W3 Z](Wide 3 Zoom))

DESCRIPTION CAMERA MODULE	FIG. NAME WIRING DIAGRAM/SETTING	UNIT mm	DATE 11 March, 2011
MODEL NO. GT-VA	FIG.NO. G57363-2-3	PAGE 2/3	REVISION 1
			AIPHONE

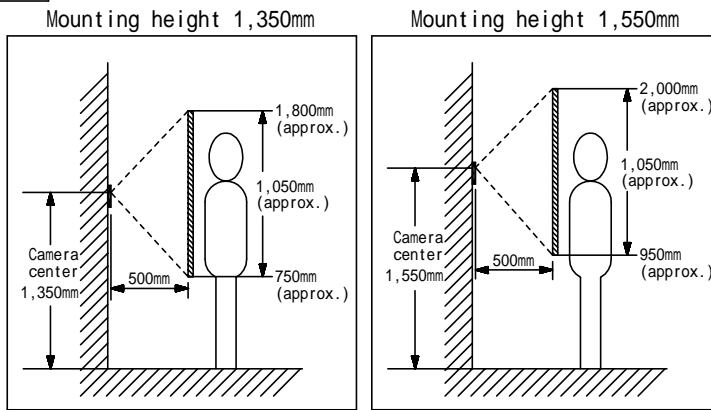
IMAGE VIEW AREA & MOUNTING HEIGHT



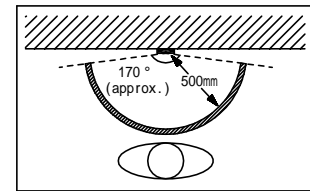
Objects appear smaller due to greater distortion in the surrounding sections compared to the central section, but a wider area is displayed.
Image view area depends on the camera zoom position.

WIDE

Vertical

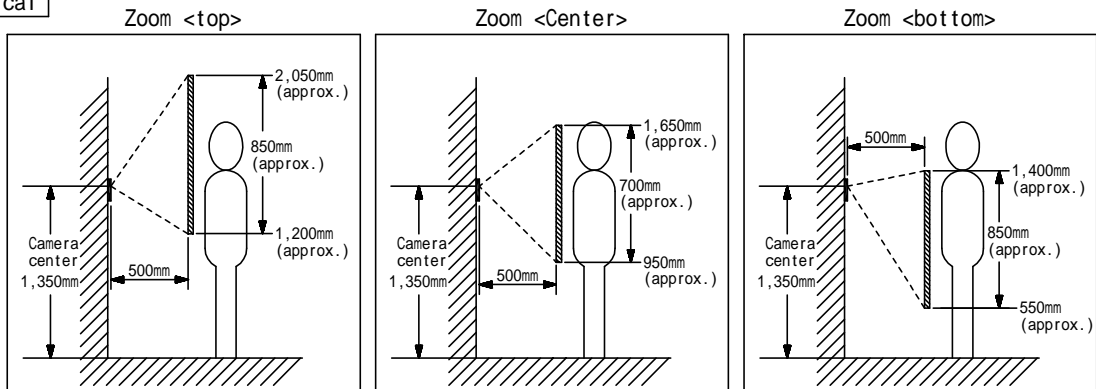


Horizontal

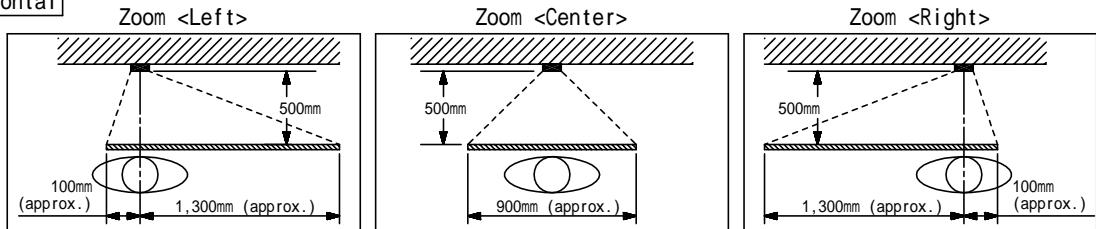


ZOOM (Mounting height 1,350mm)

Vertical



Horizontal



DESCRIPTION CAMERA MODULE	FIG. NAME IMAGE VIEW AREA	UNIT mm	DATE 11 March, 2011
MODEL NO. GT-VA	FIG.NO. G57363-3-3	PAGE 3/3	REVISION 1
			AIPHONE