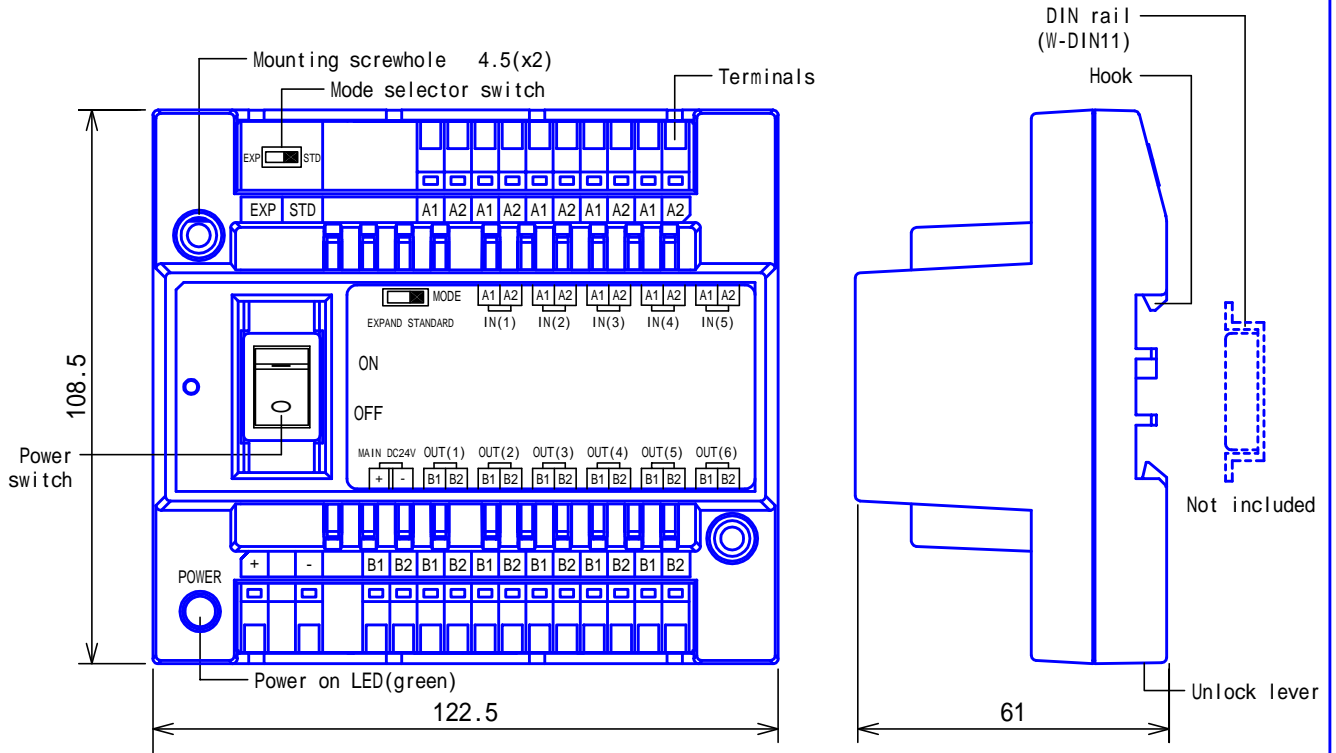
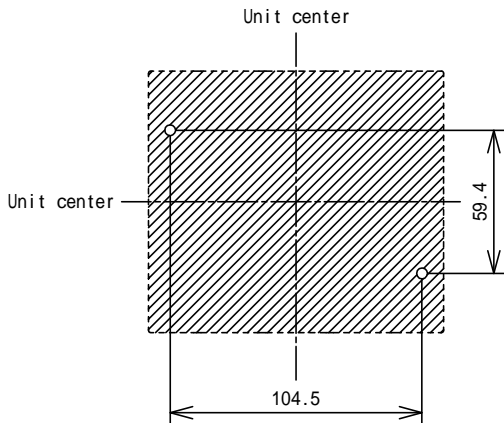


PRODUCT DRAWING

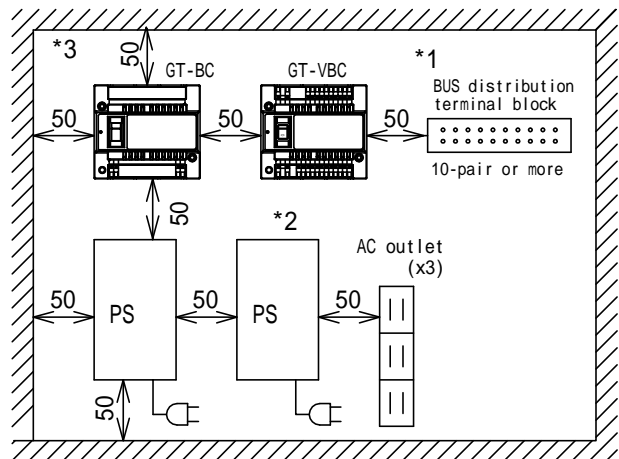


MOUNTING

When DIN rail is not provided



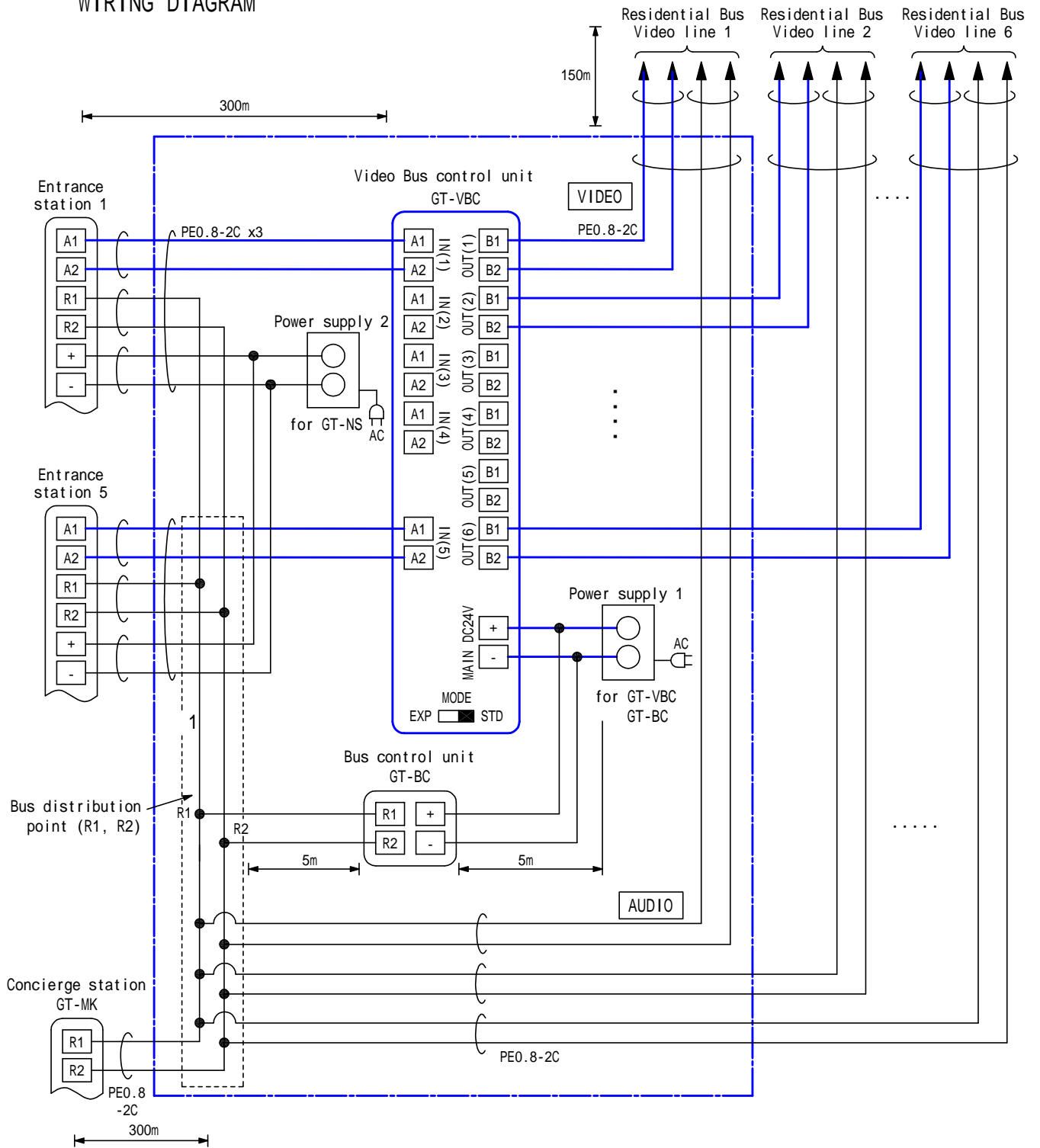
As shown below, it is suggested to mount the Video Bus control unit (GT-VBC) along with Bus control unit (GT-BC) and 24V DC power supplies and terminal block (Bus distribution) on the panel inside an enclosure box.



- *1 Locally available with 10-paired terminals or more
- *2 PS : GT-BC, Bus control unit
GT-VBC, Video Bus control unit
- PS : PS-2420/S/UL/DIN for Digital Entrance station
- *3 Keep a space of 50mm or more between the walls, and between the units for heat radiation and servicing purpose.

DESCRIPTION VIDEO BUS CONTROL UNIT	FIG. NAME PRODUCT DRAWING	UNIT mm	DATE 11 March, 2011
MODEL NO. GT-VBC	FIG.NO. G57578-1-3	PAGE 1/3	REVISION 1
			AIPHONE

WIRING DIAGRAM



*1: Employ the terminal block for Bus distribution, which shall be located in proximity of the Bus control unit (within 5m).

*2: To rise the Residential video Bus lines, 4-way video junction unit(GT-4Z) shall be used to hold each up to four Residential monitor stations. The GT-4Z's must be installed in accessible places for servicing.

Power supply 1~2: PS-2420, 2420UL, 2420S etc.

PE: PVC-coated cable

DESCRIPTION VIDEO BUS CONTROL UNIT	FIG. NAME WIRING DIAGRAM	UNIT mm	DATE 11 March, 2011
MODEL NO. GT-VBC	FIG.NO. G57578-2-3	PAGE 2/3	REVISION 1
			AIPHONE

RESTRICTIONS

As to wiring of trunk lines, run audio and video wires in each separate-jacketed cable.

FUNCTIONS

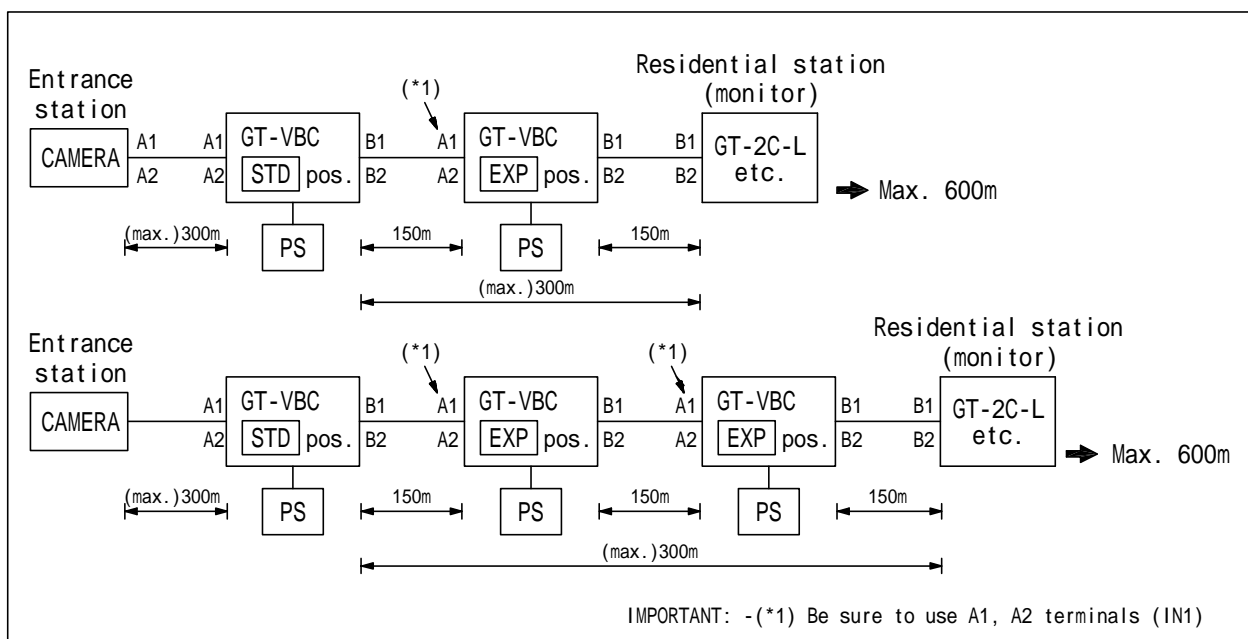
Transmitting video signals from Entrance station to Residential monitor station via 4-way video junction unit.

Setting for Unit's function mode with mode (EXP/STD) selector switch

Position A (initial): Works as Video Bus control unit

Position B : Works as Expander Video Bus control unit

Secured is max. 600m distance between an Entrance station and a Residential station (any pair). (Applies to a GT system of any configuration.)



Max. two GT-VBC(EXP pos.) can be connected per Sub trunk line.

SPECIFICATIONS

Power source	DC 24V. Use a PS-2420/S/UL/DIN power supply.		
Current consumption	0.9A		
Mounting	Surface wall mounting or DIN rail (W-DIN11)		
Housing	Fire-retardant ABS plastic		
Weight	250g(approx.)		
Unit color	Middle gray (N6.4 Munsell Approximation)		
Entrance station	Max. 5 units (3 units per Bus line on R1, R2)		
4-way video junction unit	Max. 6 units per Bus line		
Residential monitor station	Max. 150 units. (25 units per Bus line) Max. 2 units per Residence		
DESCRIPTION	FIG. NAME	UNIT	DATE
VIDEO BUS CONTROL UNIT	SPEC./RESTRIC./FUNC.	mm	11 March, 2011
MODEL NO.	FIG.NO.	PAGE	REVISION
GT-VBC	G57578-3-3	3/3	1