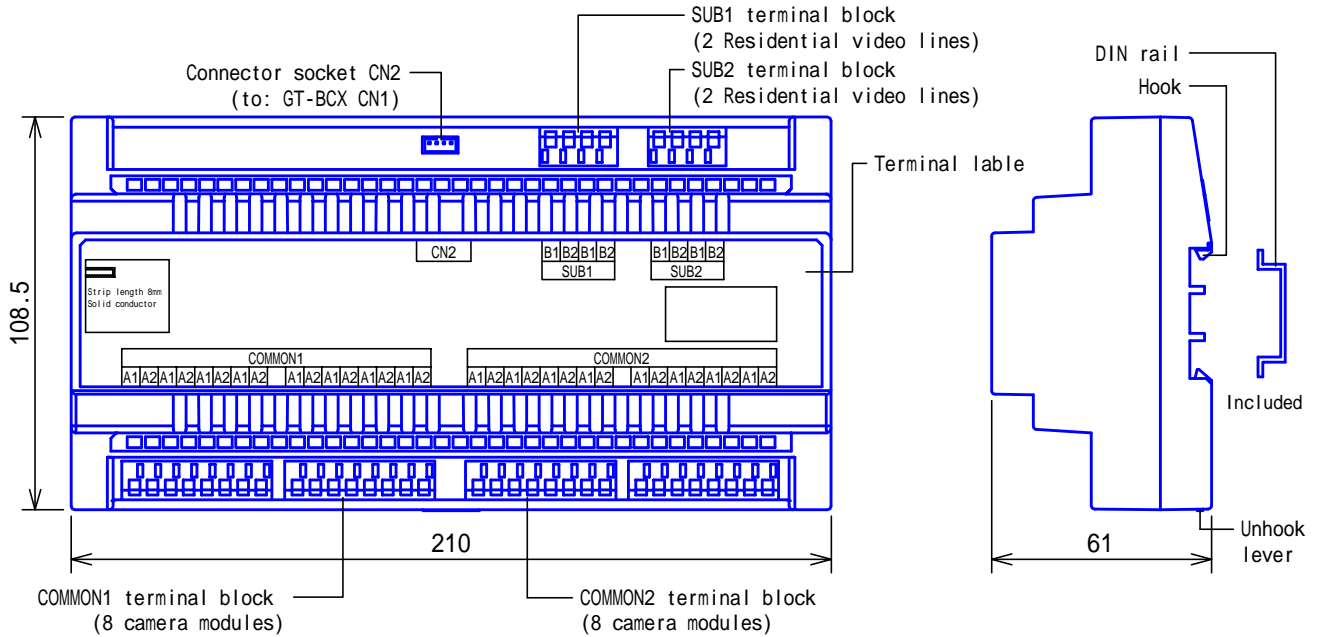
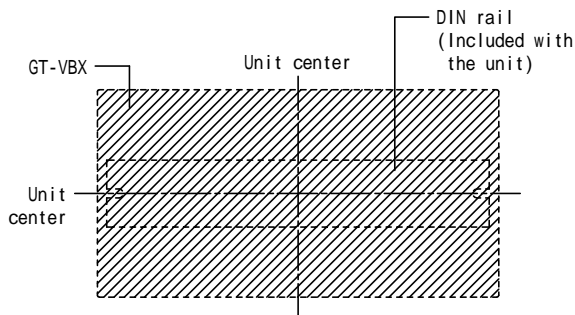


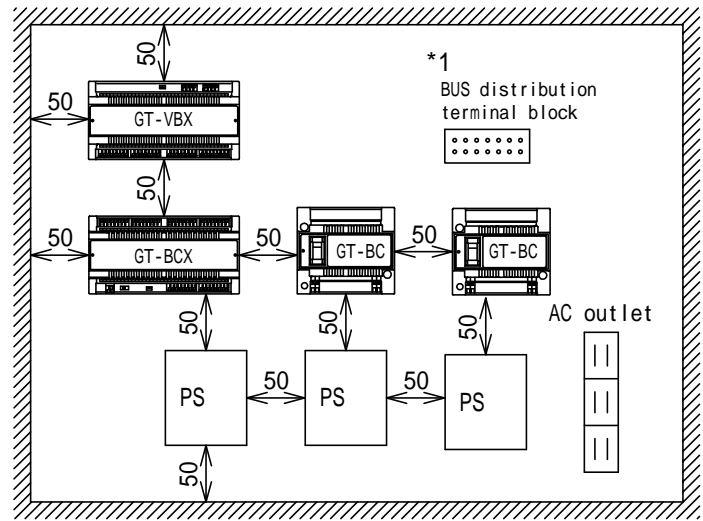
PRODUCT DRAWING



MOUNTING



As shown below, it is suggested to mount the Expanded Bus control unit & Expanded video control unit, along with Common trunk line 1, 2 Bus control units, Power supplies on the panel inside an enclosure box, or separately.



PS 1: PS-2420/S/UL/DIN for GT-BCX, Expanded Bus control unit  
 PS 2 & 3: PS-2420/S/UL/DIN for GT-BC's, Common trunk 1 & 2 Bus control units  
 \* Keep a space of 50mm or more between the walls, and between the units for heat radiation and servicing purpose.

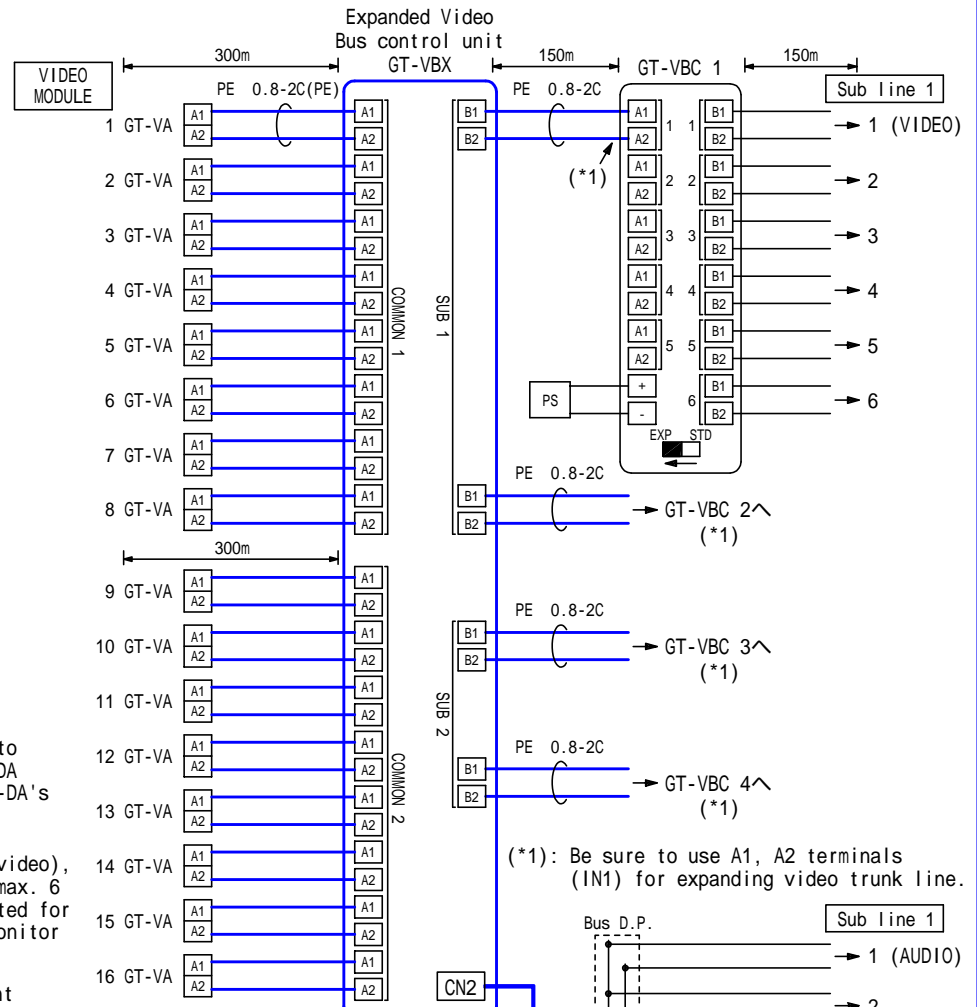
SPECIFICATIONS

Power source	DC 24V. Supplied from GT-BCX Expanded Bus control unit
Trunk line capacity	COMMON 1 & 2: Max. 16 cameras SUB 1 & 2(video): Max. 4 Residential video trunk lines
Mounting	DIN rail locally available
Housing	Fire-retardant ABS plastic
Unit color	Middle gray (N6.4 Munsell Approximation)
Weight	370g(approx.)
Remarks	Used for: Expanded GT system(covering more than 48 Stations)

DESCRIPTION	FIG. NAME	UNIT	DATE
EXPANDED VIDEO BUS CONTROL UNIT	PRODUCT/SPECIFICATIONS	mm	11 March, 2011
MODEL NO.	FIG.NO.	PAGE	REVISION
GT-VBX	G57589-1-3	1/3	1

**AIPHONE**

# WIRING DIAGRAM



**Note:**

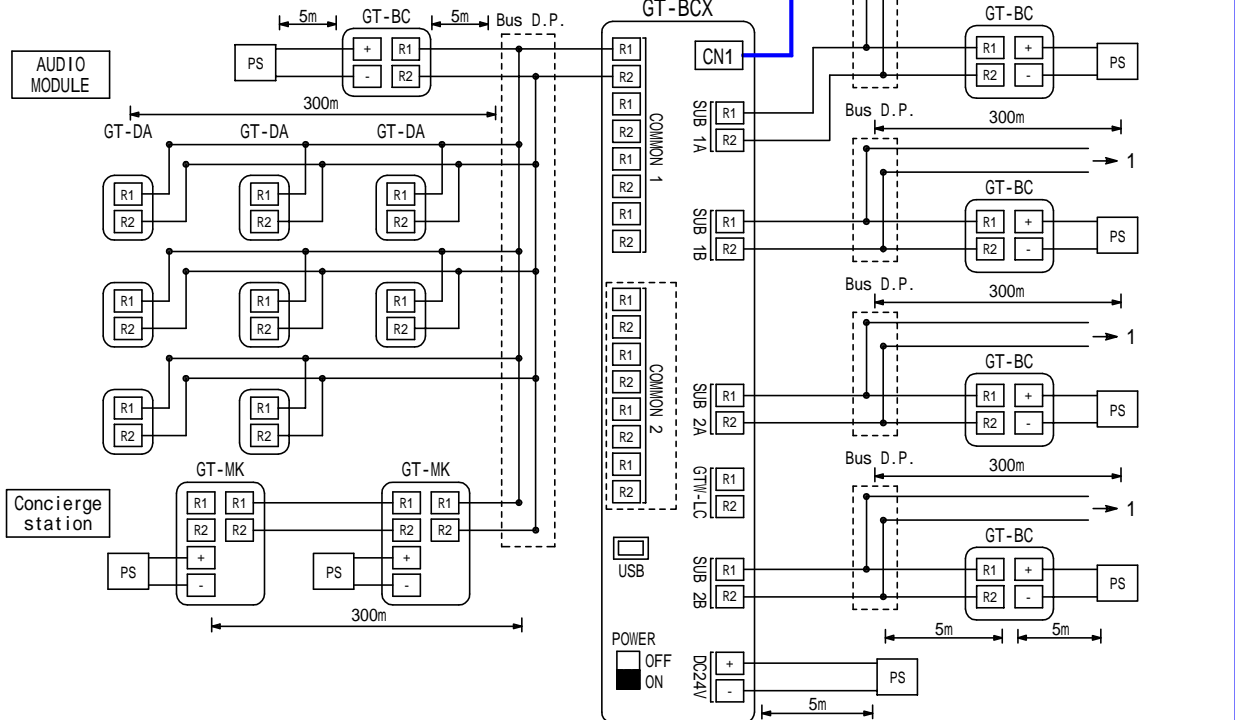
- \* Connect one GT-VA camera module to each A1, A2 terminals. As to GT-DA Audio module, connect up to 3 GT-DA's for each common Bus line.
- \* GT-VBX provides 1~4 Sub lines (video), going up to GT-VBC's from which max. 6 Sub lines(video) can be distributed for connecting max. 25 Residential monitor stations.

Bus D.P. = Bus Distribution point

PS : PS-2420/S/UL/DIN

PE: PVC-coated cable

(\*1): Be sure to use A1, A2 terminals (IN1) for expanding video trunk line.



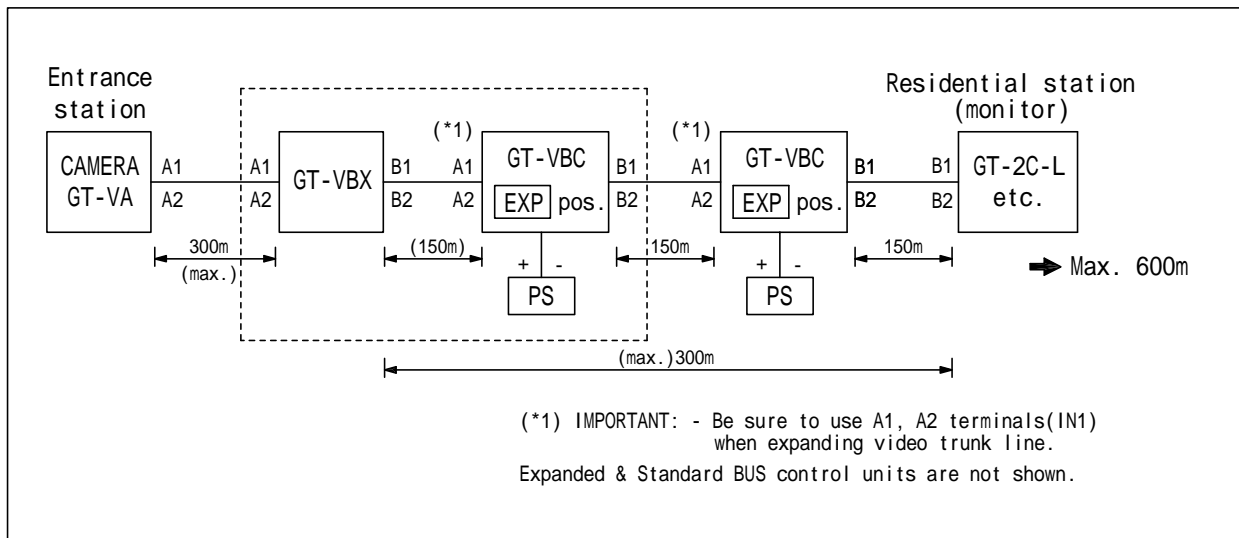
DESCRIPTION EXPANDED VIDEO BUS CONTROL UNIT	FIG. NAME WIRING DIAGRAM	UNIT mm	DATE 11 March, 2011
MODEL NO. GT-VBX	FIG.NO. G57589-2-3	PAGE 2/3	REVISION 1
			<b>AIPHONE</b>

## RESTRICTIONS

As to wiring of common & sub trunk lines, run audio and video wires in each separate-jacketed cable.

## FUNCTIONS

Transmitting video signals from Entrance stations to Residential monitor stations via GT-VBC, Video Bus control unit on each Sub trunk line.  
Secured is max. 600m distance between an Entrance station and a Residential station (any pair). (Applies to a GT system of any configuration.)



Max. two GT-VBC (EXP pos.) can be connected per Sub line.  
When an entire GT Expanded system is in standby, two audio/video paths can take place for entrance station call-ins, provided that each communicating parties are on the same trunk line  
(i.e. one on COMMON 1-SUB 1 line, the other on COMMON 2-SUB 2 line).

DESCRIPTION	FIG. NAME	UNIT	DATE
EXPANDED VIDEO BUS CONTROL UNIT	RESTRICTIONS/FUNCTIONS	mm	11 March, 2011
MODEL NO.	FIG.NO.	PAGE	REVISION
GT-VBX	G57589-3-3	3/3	1
			<b>AIPHONE</b>