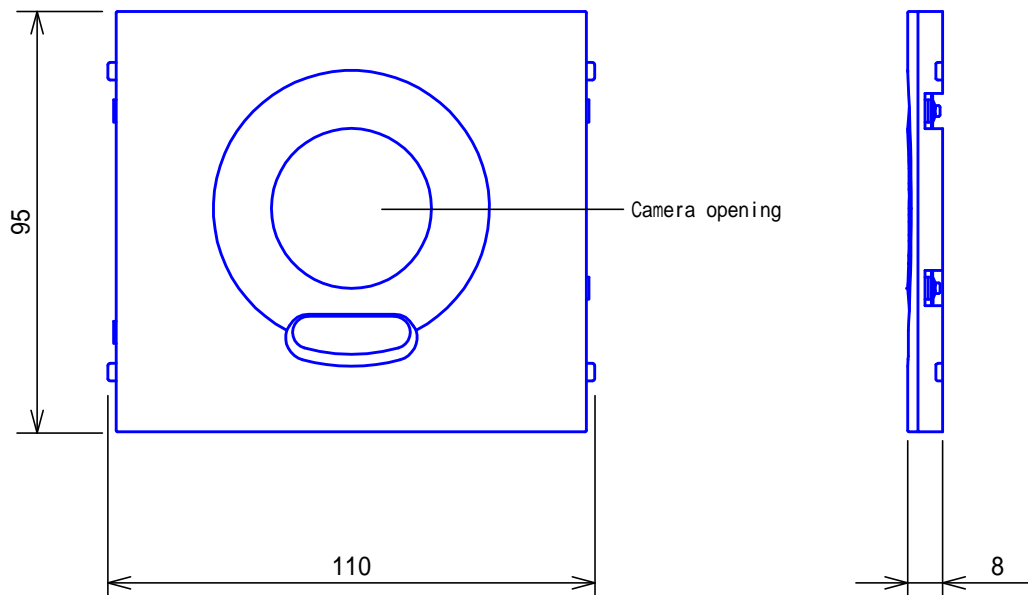


PRODUCT DRAWING



SPECIFICATIONS

Mounting	Mounts on GT-4F, GF-3F, GF-2F Front frame.		
Housing	Zinc-diecasting, metallic painted		
Configuration	Vandal-resistant		
Unit color	Pale beige mica metallic		
Weight	150g(approx.)		
Remarks	Used for: GT-VA Camera Module (Ultimate GT).		
DESCRIPTION CAMERA MODULE PANEL	FIG. NAME PRODUCT/SPECIFICATIONS	UNIT mm	DATE 11 March, 2011
MODEL NO. GT-VP	FIG.NO. G57396-1-1	PAGE 1/1	REVISION 1

AIPHONE