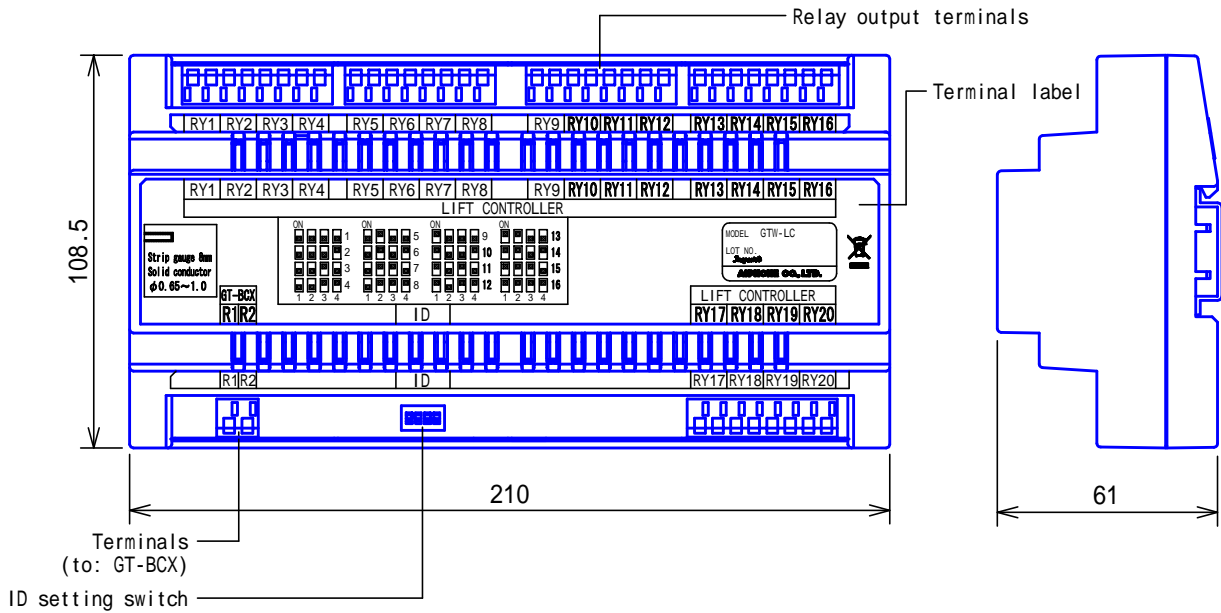
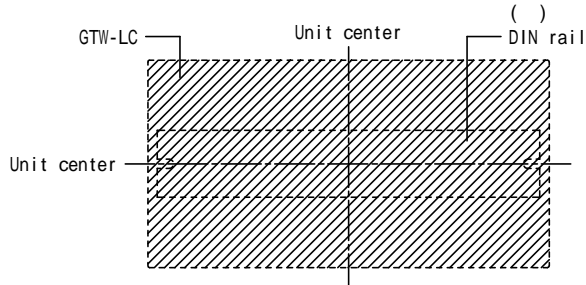


PRODUCT DRAWING



MOUNTING

- Mounting on wall surface



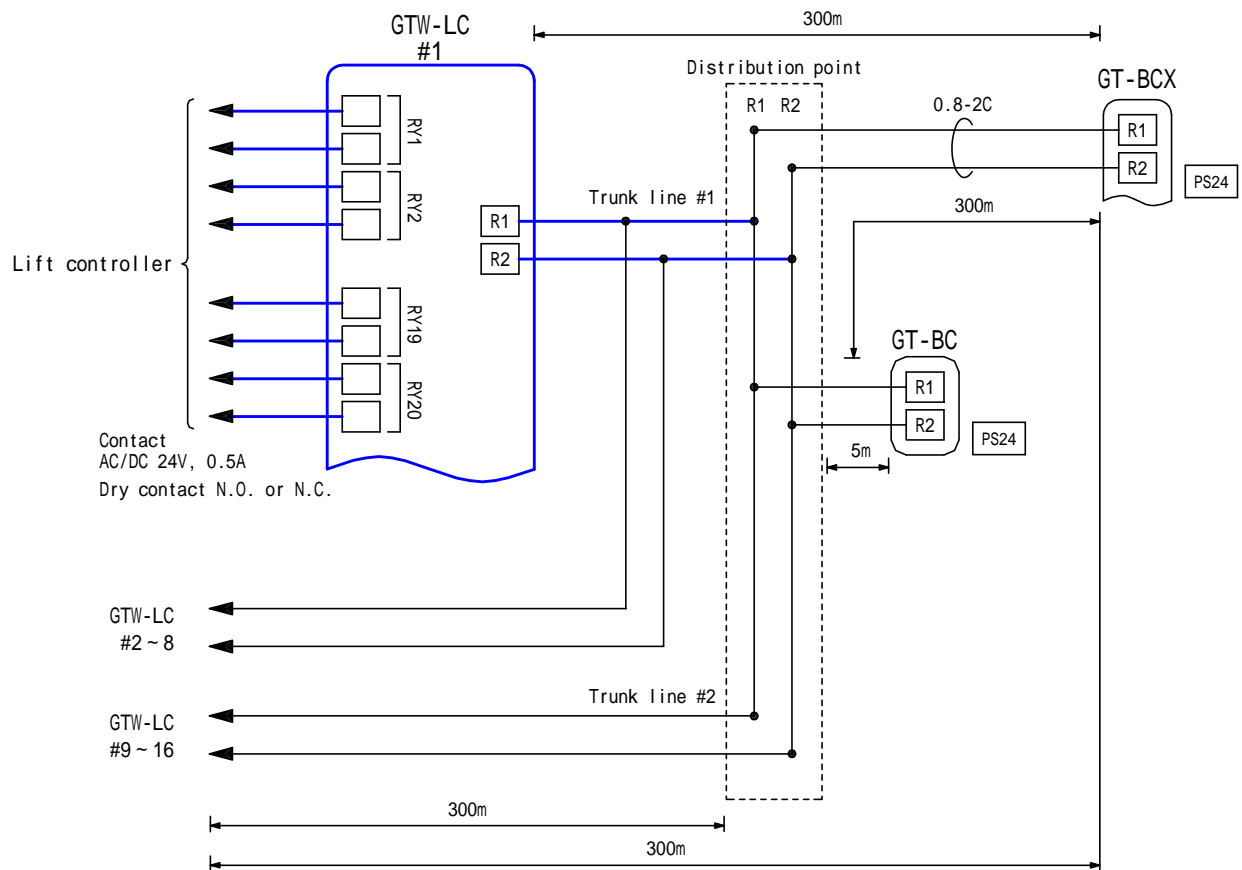
SPECIFICATIONS

Power source	Supplied from GT-BC
Relay	Output number 20 Contact rating AC/DC 24V, 0.5A Dry contact, Normally open or Normally closed Operating time From 1 second to 600 seconds
Mounting	DIN rail locally available
Housing	Fire-retardant ABS plastic
Unit color	Middle gray (N6.4 Munsell Approximation)
Weight	330g(approx.)
Remarks	Used for: Expanded GT system

DESCRIPTION LIFT CONTROL ADAPTOR	FIG. NAME PRODUCT/SPECIFICATIONS	UNIT mm	DATE 11 March, 2011
MODEL NO. GTW-LC	FIG.NO. G57590-1-2	PAGE 1/2	REVISION 1

AIPHONE

WIRING DIAGRAM



RESTRICTIONS

Use GT Expanded system with the digital name scrolling entrance station
 Max. 16 GTW-LC is available to connect in a system (up to 8 GTW-LC per trunk line)
 In the case of below, GTW-LC do not make/break contact.

- The entrance station access code is input to release the door lock.
- The talk button is pressed and the residential station goes into talk mode while the entrance is being monitored.

FUNCTIONS

When the door release button is pressed, activate the lift or other systems

SETTING

- ID setting
- GT system programming with supplied software
- Output type: Normally open or normally closed
- Timer: 1 to 600 seconds

DESCRIPTION LIFT CONTROL ADAPTOR	FIG. NAME WIRING/RESTRIC./FUNC./SETTING	UNIT mm	DATE 11 March, 2011
MODEL NO. GTW-LC	FIG.NO. G57590-2-2	PAGE 2/2	REVISION 1
			AIPHONE