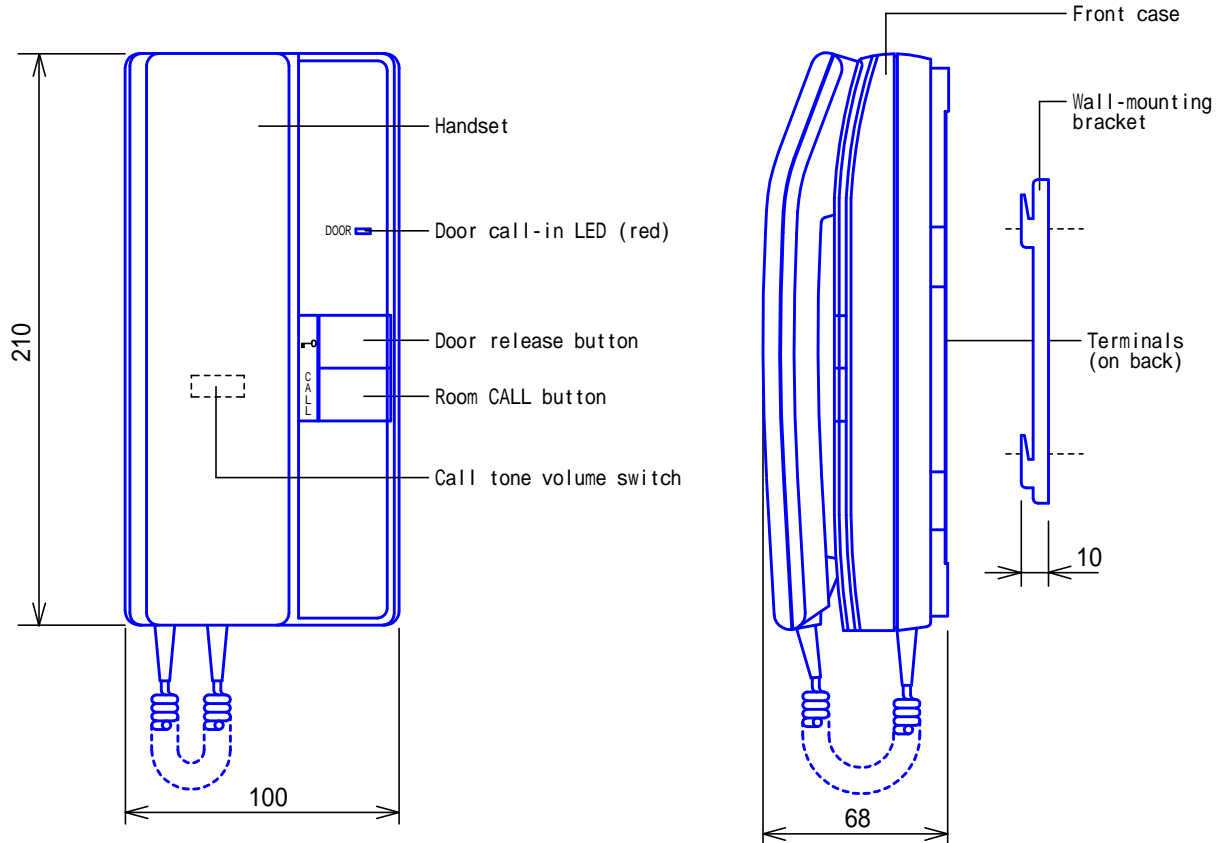
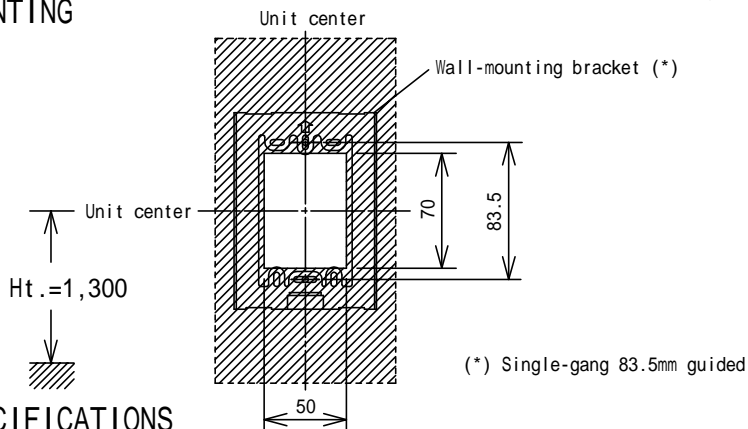


PRODUCT DRAWING



MOUNTING



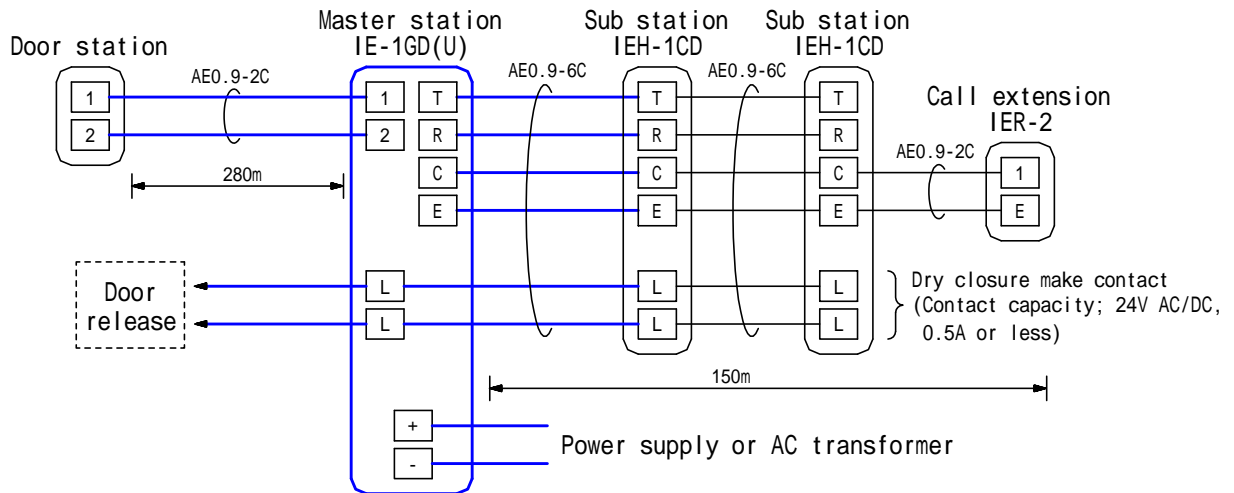
SPECIFICATIONS

Power source	12~24V DC (Power supply). 12~16V AC (AC transformer).		
Current consumption	200mA(12~24V DC). 200mA(12~16V AC).		
Type of communication	Handset simultaneous communication		
Call tone	Door station; 4-tone chime. Room station; Mono tone.		
Door station	One unit		
Sub station	3 units		
Call extension	3 units		
Mounting	Wall-mounting		
Electrical box	Single-gang box		
Housing	Fire-retardant ABS plastic		
Weight	700g(approx.)		
Unit color	Snow white		

DESCRIPTION	(Chime tone, MASTER STATION 1 door - 3 rooms)	FIG. NAME PRODUCT/SPECIFICATIONS	UNIT mm	DATE 6 April, 2005
MODEL NO.	IE-1GD(U)	FIG.NO. IE-1GD(U)-1-2	PAGE 1/2	REVISION 1

**AIPHONE**

## WIRING DIAGRAM



## RESTRICTIONS

IE-1GD(U) is not compatible with existing door stations models; IA, IB, IC, ID.  
 IE-1GD(U) shall not be used on desk-top.  
 For internal call, All-Call type calling is available with pre-tone & voice.  
 (Differentiate tone, as it is not selective)

## FUNCTIONS

Receiving a call and communication with door station ("DOOR" call-in LED is lit)  
 Monitoring audio of door station by lifting handset  
 Calling and communication with other room station, by depressing room "CALL" button  
 Having door strike activated by pressing Door release button

## SETTING

Adjusting call tone volume (sliding) ..... with front volume switch

DESCRIPTION	(Chime tone, MASTER STATION 1 door - 3 rooms)	FIG. NAME	UNIT	DATE
MODEL NO.		WIRING/RESTR./FCN./SETTING	mm	6 April, 2005
IE-1GD(U)		FIG.NO. IE-1GD(U)-2-2	PAGE 2/2	REVISION 1
				<b>AIPHONE</b>