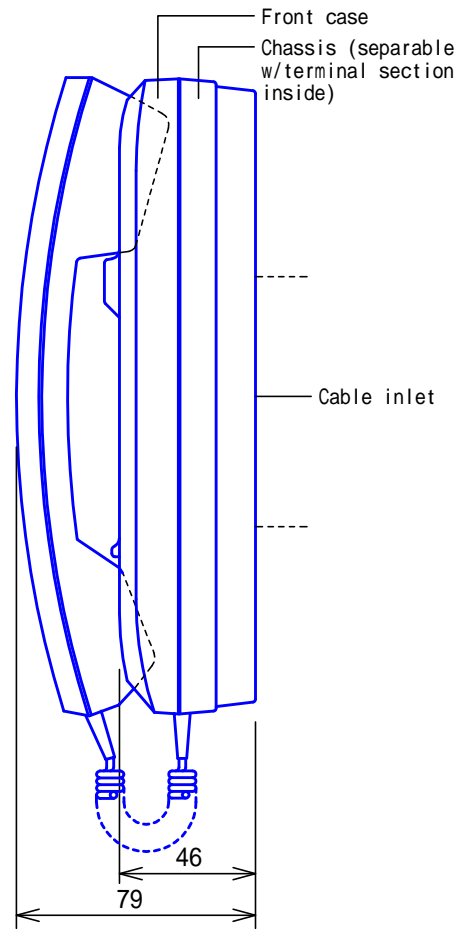
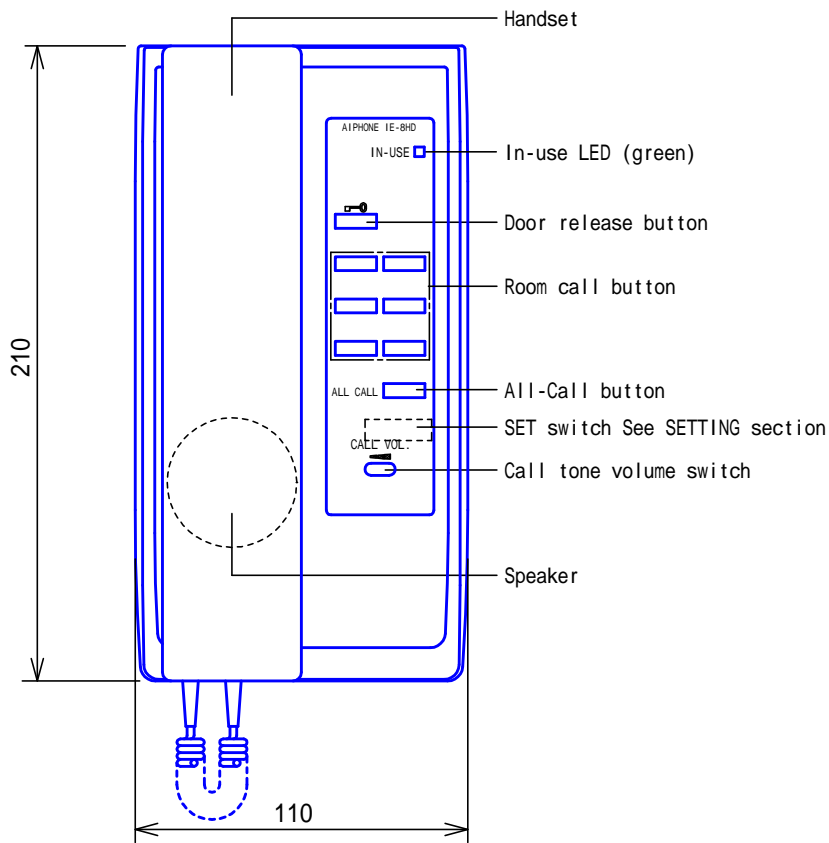
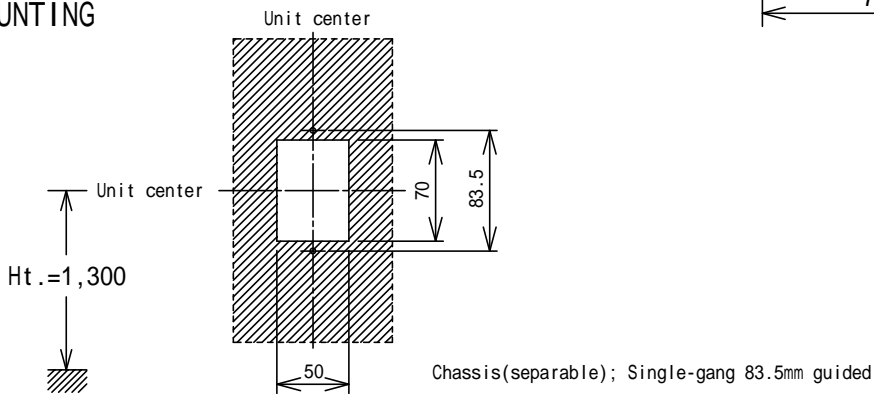


PRODUCT DRAWING



MOUNTING



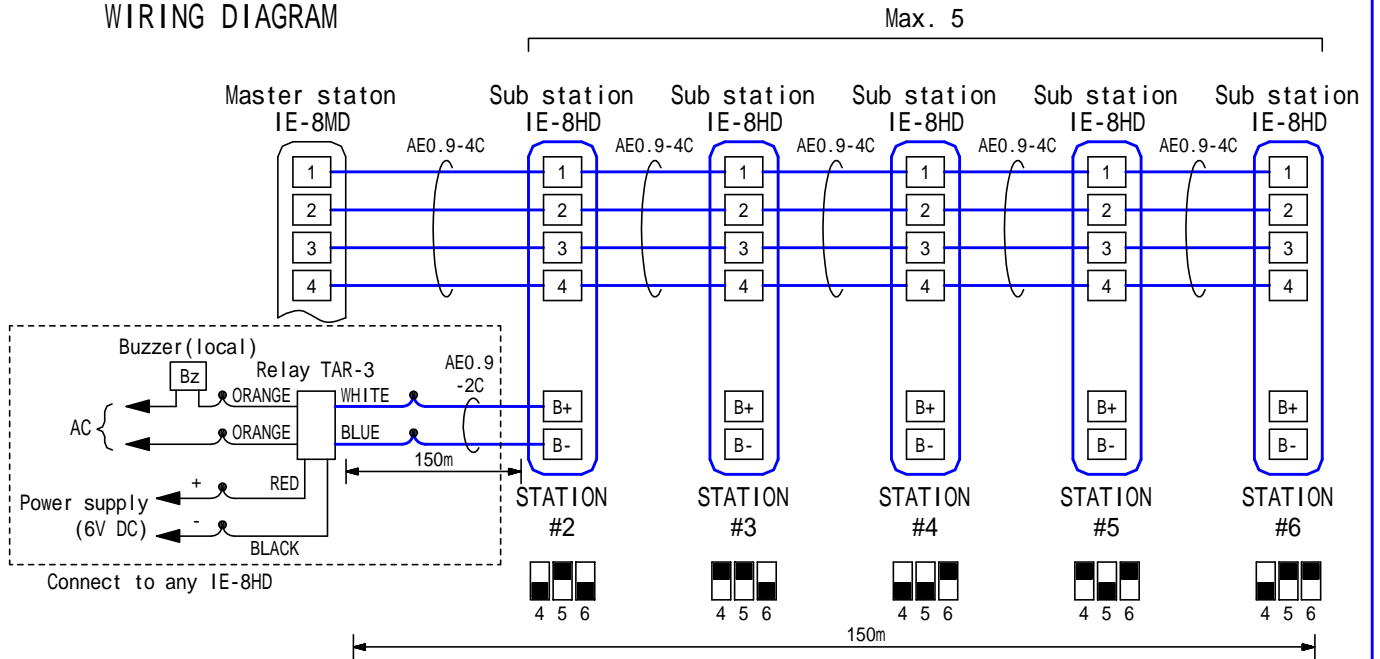
SPECIFICATIONS

Power source	Supplied from Master station
Type of communication	Handset simultaneous communication
Mounting	Wall-mount
Electrical box	Single-gang box
Housing	Fire-retardant ABS plastic
Weight	520g(approx.)
Unit color	Snow white
Call tone	Door station 1; 4-tone chime. Door station 2; 2-tone chime. Sub station; Selective call. Mono tone and vocal. All-Call; Mono tone and vocal.
Remarks	Call tone transfer contact. Use a Relay unit RY-AC/A or TAR-3.

DESCRIPTION (Chime tone, SUB STATION 6-station)	FIG. NAME PRODUCT/SPECIFICATIONS	UNIT mm	DATE 21 March, 2002
MODEL NO. IE-8HD	FIG. NO. 37543301-1-2	PAGE 1/2	REVISION 2

**AIPHONE**

# WIRING DIAGRAM



## RESTRICTIONS

The existing door station models (IA, IB, IC, ID Series) are not compatible with IE-8MD system.

IE-8HD shall not be used for desk-top.

Buzzer tone sounds as long as door station call is sounding, or another room station is calling selectively or by All-Call with pre-tone & voice.

The buzz tone ceases upon lifting handset.

## FUNCTIONS

Receiving a call from door station and communication by lifting handset

(Chime tone sounds differently)

Calling the other room stations individually (Call tone sounds, In-use LED is lit)

Placing All-Call by pressing ALL CALL button (Sounding a pre-tone & vocal message.

In-use LED is lit)

Restricting call tone sounding for each door station, selective

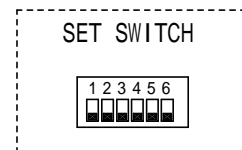
Having door strike activated by depressing Door release button

Having a buzzer(local) activated when other station calls in (Requires a Relay unit)

## SETTING

Restricting door station call-in (muting chime) ..... With SET switch 1~3

Assigning a Station # (2~6)..... With SET switch 4~6



DESCRIPTION <b>SUB STATION</b>	(Chime tone, 6-station)	FIG. NAME WIRING/RESTR./FCN./SETTING	UNIT mm	DATE 21 March, 2002
MODEL NO. <b>IE-8HD</b>		FIG.NO. 37543301-2-2	PAGE 2/2	REVISION 2
<b>AIPHONE</b>				